

# User Manual



## TDS2MEM Storage Memory and Communications Module

**071-1262-00**

This document set supports English, Français, Deutsch, Italiano, Español, Português, 한국어, 日本語, 简体中文, 繁體中文, and Русский

This document supports firmware version FV:v6.00 and above.

**[www.tektronix.com](http://www.tektronix.com)**

Copyright © Tektronix, Inc. All rights reserved.

Tektronix products are covered by U.S and foreign patents, issued and pending. Information in this publication supercedes that in all previously published material. Specifications and price change privileges reserved.

Tektronix, Inc., P.O. Box 500, Beaverton, OR 97223

TEKTRONIX and TEK are registered trademarks of Tektronix, Inc.

CompactFlash is a registered trademark of the CompactFlash Association.

## **WARRANTY SUMMARY TDS2MEM**

Tektronix warrants that the products that it manufactures and sells will be free from defects in materials and workmanship for a period of three (3) years from the date of shipment from an authorized Tektronix distributor. If a product or CRT proves defective within the respective period, Tektronix will provide repair or replacement as described in the complete warranty statement.

To arrange for service or obtain a copy of the complete warranty statement, please contact your nearest Tektronix sales and service office.

EXCEPT AS PROVIDED IN THIS SUMMARY OR THE APPLICABLE WARRANTY STATEMENT, TEKTRONIX MAKES NO WARRANTY OF ANY KIND, EXPRESS OR IMPLIED, INCLUDING WITHOUT LIMITATION THE IMPLIED WARRANTIES OF MERCHANTABILITY AND FITNESS FOR A PARTICULAR PURPOSE. IN NO EVENT SHALL TEKTRONIX BE LIABLE FOR INDIRECT, SPECIAL OR CONSEQUENTIAL DAMAGES.

## **WARRANTY**

### **CompactFlash Card and CompactFlash Reader**

Tektronix warrants that the parts, assemblies and supplies ("products") that it manufactures and sells will be free from defects in materials and workmanship for a period of three (3) months from the date of shipment. If a product proves defective during this warranty period, Tektronix, at its option, either will repair the defective product without charge for parts and labor, or will provide a replacement in exchange for the defective product.

In order to obtain service under this warranty, Customer must notify Tektronix of the defect before the expiration of the warranty period and make suitable arrangements for the performance of service. Customer shall be responsible for packaging and shipping the defective product to the service center designated by Tektronix, with shipping charges prepaid. Tektronix shall pay for the return of the product to Customer if the shipment is to a location within the country in which the Tektronix service center is located. Customer shall be responsible for paying all shipping charges, duties, taxes, and any other charges for products returned to any other locations.

This warranty shall not apply to any defect, failure or damage caused by improper use or improper or inadequate maintenance and care. Tektronix shall not be obligated to furnish service under this warranty a) to repair damage resulting from attempts by personnel other than Tektronix representatives to install, repair or service the product; b) to repair damage resulting from improper use or connection to incompatible equipment; c) to repair any damage or malfunction caused by the use of non-Tektronix supplies; or d) to service a product that has been modified or integrated with other products when the effect of such modification or integration increases the time or difficulty of servicing the product.

**THIS WARRANTY IS GIVEN BY TEKTRONIX IN LIEU OF ANY OTHER WARRANTIES, EXPRESS OR IMPLIED. TEKTRONIX AND ITS VENDORS DISCLAIM ANY IMPLIED WARRANTIES OF MERCHANTABILITY OR FITNESS FOR A PARTICULAR PURPOSE. TEKTRONIX' RESPONSIBILITY TO REPAIR OR REPLACE DEFECTIVE PRODUCTS IS THE SOLE AND EXCLUSIVE REMEDY PROVIDED TO THE CUSTOMER FOR BREACH OF THIS WARRANTY. TEKTRONIX AND ITS VENDORS WILL NOT BE LIABLE FOR ANY INDIRECT, SPECIAL, INCIDENTAL, OR CONSEQUENTIAL DAMAGES IRRESPECTIVE OF WHETHER TEKTRONIX OR THE VENDOR HAS ADVANCE NOTICE OF THE POSSIBILITY OF SUCH DAMAGES.**



# General Safety Summary

Review the following safety precautions to avoid injury and prevent damage to this product or any products connected to it.

To avoid potential hazards, use this product only as specified.

*Only qualified personnel should perform service procedures.*

## To Avoid Fire or Personal Injury

**Ground the Product.** This product is indirectly grounded through the grounding conductor of the mainframe power cord. To avoid electric shock, the grounding conductor must be connected to earth ground. Before making connections to the input or output terminals of the product, ensure that the product is properly grounded.

**Observe All Terminal Ratings.** To avoid fire or shock hazard, observe all ratings and markings on the product. Consult the product manual for further ratings information before making connections to the product.

The common terminal is at ground potential. Do not connect the common terminal to elevated voltages.

**Do Not Operate Without Covers.** Do not operate this product with covers or panels removed.

**Avoid Exposed Circuitry.** Do not touch exposed connections and components when power is present.

**Do Not Operate With Suspected Failures.** If you suspect there is damage to this product, have it inspected by qualified service personnel.

**Do Not Operate in Wet/Damp Conditions.**

**Do Not Operate in an Explosive Atmosphere.**

**Keep Product Surfaces Clean and Dry.**

### Symbols and Terms

**Terms in This Manual.** These terms may appear in this manual:



---

**WARNING.** *Warning statements identify conditions or practices that could result in injury or loss of life.*

---



---

**CAUTION.** *Caution statements identify conditions or practices that could result in damage to this product or other property.*

---

**Terms on the Product.** These terms may appear on the product:

DANGER indicates an injury hazard immediately accessible as you read the marking.

WARNING indicates an injury hazard not immediately accessible as you read the marking.

CAUTION indicates a hazard to property including the product.

**Symbols on the Product.** These symbols may appear on the product:



CAUTION  
Refer to Manual



Protective Ground  
(Earth) Terminal

### Battery Recycling

This product contains a non-replaceable Lithium battery. Please dispose of the battery properly according to your local regulations.



# Contacting Tektronix

<b>Phone:</b>	1-800-833-9200*
<b>Address</b>	Tektronix, Inc. Department or name (if known) 14200 SW Karl Braun Drive P.O. Box 500 Beaverton, OR 97077 USA
<b>Website</b>	<a href="http://www.tektronix.com">www.tektronix.com</a>
<b>Sales Support</b>	1-800-833-9200, select option 1*
<b>Service Support</b>	1-800-833-9200, select option 1*
<b>Technical Support</b>	Email: <a href="mailto:techsupport@tektronix.com">techsupport@tektronix.com</a> 1-800-833-9200, select option 3* 6:00 a.m. - 5:00 p.m. Pacific time

---

\* This phone number is toll free in North America. After office hours, please leave a voice mail message. Outside North America, contact a Tektronix sales office or distributor; see the Tektronix web site for a list of offices.



# Using the TDS2MEM Storage Memory and Communications Module

The TDS2MEM Storage Memory and Communications module adds removable Type 1 CompactFlash (CF) card storage memory, RS-232 remote programming capability, and RS-232 and Centronics printer output connectivity to your TDS1000- or TDS2000-Series oscilloscope.

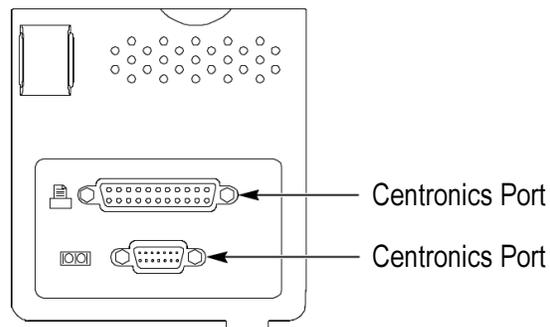
---

**NOTE.** *This module is not compatible with TDS200-Series oscilloscopes.*

---

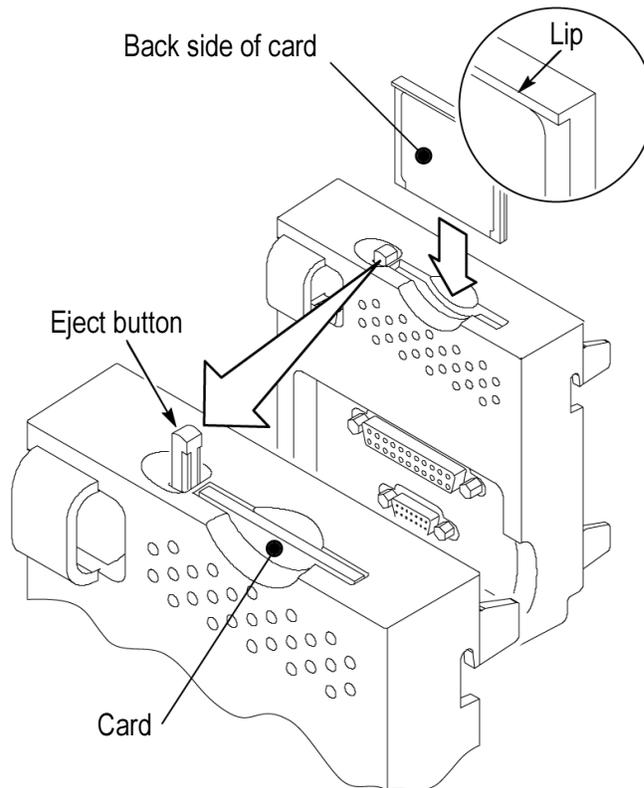
## Installing the Module

See the *TDS200-, TDS1000- and TDS2000-Series Extension Module Installation* sheet for module installation instructions. The following illustration identifies the TDS2MEM module output ports.



## Installing and Removing the CompactFlash Card

Insert a Type 1 CompactFlash card into the slot until the card is flush with the module case, as shown below. The CF card is keyed to be inserted only one way. If the CF card does not easily slide into place, remove and correctly reinsert it.



To remove the CompactFlash card, push and release the eject button until the button fully extends, then push the eject button again to release the CF card from the slot. Pull the CF card out of the module slot.

## CompactFlash Card Initial Read Time

The TDS2MEM reads a CF card's internal structure every time you insert a CF card. The time to complete the read depends on the size of the CF card and how it was formatted. To significantly shorten the initial read time of 64 MB and larger CF cards used in the TDS2MEM module, format the CF card using the TDS2MEM format function (UTILITY ► File Utilities ► Format).

## Formatting a CompactFlash Card

1. Insert a CF card into the module.
2. Push the UTILITY front panel button.
3. Select the File Utilities menu option.
4. Select the More menu option to display menu page 2.
5. Select the Format menu option.
6. Select the Yes menu option to format the CF card. Formatting deletes all data on the CF card.

## CompactFlash Card Capacities

The following are the approximate number of files, by type, that you can store per 1 MB of CF card memory.

- 5 Save All operations (see *Saving Information Using the PRINT Button* on page 5)
- 16 screen image files (actual capacity depends on the selected image format) (see *Saving a Screen Image to a File* on page 7)

- 250 oscilloscope setting (.set) files (see *Saving Oscilloscope Settings* on page 8)
- 18 waveform (.csv) files (see *Saving Waveform Files* on page 9)

## File Management Conventions

- The oscilloscope checks for available space on the CompactFlash card before writing files, and displays a warning message if there is not enough memory for the files you are writing.
- The term folder as used in this manual refers to a directory location on the CF card.
- The default file save or recall location is the current folder.
- The root folder is A:\.
- The oscilloscope resets the current folder to A:\ when powering on the instrument, or when inserting a CF card after the oscilloscope is powered on.
- File names can have one to eight characters, followed by a period, followed with an extension of one to three characters.
- Long file names created on PC operating systems are displayed using the operating system's shortened file name.
- File names are upper case.

## Saving Information Using the PRINT Button

You use the Save All menu (SAVE/RECALL ► Action = Save All) to set the PRINT button to do one of three functions:

- Automatically save oscilloscope information to multiple files in a folder.
- Save the screen image to a file.
- Print the screen image to the current printer port.

Options	Settings or Submenus	Comments
Print Button	Saves All To Files	Sets the print button to save all active oscilloscope information (waveforms, screen image, settings) to files in a new subfolder in the current CF card folder. See Saves All to Files on page 6.
	Saves Image To File	Sets the print button to send the screen image to a file on the CF card.
	Prints	Sets the print button to send the screen image to the current printer port.
Select Folder		Lists the contents of the current CF card folder and displays the following menu items.
	Change Folder	See <i>Managing Files and Folders</i> on page 14.
	New Folder	
	Back	Returns to the Save All menu.
About Save All		Displays the help text for this task.

### Key Points

**Saves All To Files.** Setting the Print Button to Saves All To Files is a fast and easy way to save all of the current oscilloscope information to files with a single button push. Pushing the PRINT button creates a new folder and saves the following information in separate files in that new folder, using the current instrument and file format settings, as listed in the following table:

Source	File name
CH(x)	FnnnnCHx.CSV, where nnnn is an automatically-generated number, and x is the channel number.
MATH	FnnnnMTH.CSV
Ref(x)	FnnnnRFx.CSV, where x is the reference memory letter.
Screen Image	FnnnnTEK.???, where ??? is the current Save Image file format.
Settings	FnnnnTEK.SET

**.CSV Files.** CSV (comma-separated value) files contain ASCII text string that lists the time (relative to the trigger) and voltage values for each of the 2500 waveform data points. You can import .csv files into many spreadsheet and math analysis applications.

**Screen Image Files.** You can import screen image files into many spreadsheet and word processing applications. The type of image file you can import depends on you application.

**.SET files.** SET files contain an ASCII text string listing of the oscilloscope settings.

## Saving a Screen Image to a File

You use the Save Image menu (SAVE/RECALL ► Action = Save Image) to save the oscilloscope screen image to a default file named TEKnnnn.???, where .??? is the specified graphics file format. You can import screen image files into many spreadsheet and word processing applications.

Options	Settings or Submenus	Comments
File Format	BMP, PCX, TIFF, RLE, EPSIMAGE	Sets the screen image graphics file format.
About Saving Images		Displays the help text for this task.
Select Folder		Lists the contents of the current CF card folder and displays the following menu items.
	Change Folder	See <i>Managing Files and Folders</i> on page 14.
	Layout	Select portrait or landscape image layout.
	Ink Saver On, Off	Toggles Ink Saver mode On or Off (color models only).
	New Folder	See <i>Managing Files and Folders</i> on page 14.
Save	filename	Saves the screen image to the automatically generated file name in the current CF card folder.

## Saving Oscilloscope Settings

You use the Save Setup menu (SAVE/RECALL ► Action = Save Setup) to save the current oscilloscope settings to file name TEKnnnn.SET in the specified folder or in nonvolatile setup memory. A setting file contains an ASCII text string that lists the oscilloscope settings.

Options	Settings or Submenus	Comments
Save To	Setup	Specifies saving the current oscilloscope settings to nonvolatile setup memory
	File	Specifies to save the current oscilloscope settings to a file on the CF card.
Setup	1 to 10	Specifies the nonvolatile setup memory location.
Select Folder		Lists the contents of the current CF card folder and displays the following menu items.
	Change Folder	See <i>Managing Files and Folders</i> on page 14.
	New Folder	Returns to the Save All menu.
Save		Saves the settings to the specified setup memory location.
	filename	Saves the settings to the automatically generated file name in the current CF card folder.

## Saving Waveform Files

You use the Save Wfm menu (SAVE/RECALL ► Action = Save Wfm) to save the specified waveform to file name TEKnnnn.CSV, or to reference memory. The module saves waveform data to files as comma-separated values (.csv format), which is an ASCII text string that lists the time (relative to the trigger) and voltage values for each of the 2500 waveform data points. You can import .csv files into many spreadsheet and math analysis applications.

Options	Settings or Submenus	Comments
Save To	File	Specifies to save the source waveform data to a file on the CF card.
	Ref	Specifies to save the source waveform data in reference memory.
Source	CH(x), Ref(x), MATH	Specifies which source waveform to save.
Save To	Ref(x)	Specifies the reference memory location in which to save the source waveform.
Select Folder		Lists the contents of the current CF card folder and displays the following menu items.
	Change Folder	See <i>Managing Files and Folders</i> on page 14.
	New Folder	
Save		Saves the waveform to the specified reference memory.
	filename	Saves the waveform data to the automatically generated file name in the current CF card folder.

## Recalling Oscilloscope Settings

You use the Recall Setup menu (SAVE/RECALL ► Action = Recall Setup) to load oscilloscope setup information from a file or memory location.

Options	Settings or Submenus	Comments
Recall From	Setup	Specifies to recall oscilloscope settings from nonvolatile memory.
	File	Specifies to recall oscilloscope settings from a file on the CF card.
Setup	1 to 10	Specifies the nonvolatile memory location from which to recall oscilloscope settings.
Select Folder		Lists the contents of the current CF card folder from which to select a file, and displays the following menu item.
	Change Folder	See <i>Managing Files and Folders</i> on page 14.
Recall		Recalls the settings from nonvolatile memory.
	filename	Recalls the settings from the specified CF card file.

## Recalling Waveform Files

You use the Recall Wfm menu (SAVE/RECALL ► Action = Recall Wfm) to load waveform data from a CF card file into the specified reference memory location.

Options	Settings or Submenus	Comments
To	Ref(x)	Specifies the reference memory location in which to load the waveform data.
		Lists the contents of the current CF card folder from which to select a file, and displays the following menu items.
	Change Folder	See <i>Managing Files and Folders</i> on page 14.
	To Ref(x)	Specifies the reference memory location in which to load the waveform data.
Recall	filename	Loads the waveform data from the specified file into reference memory.

## Displaying Reference Waveforms

You use the Display Refs menu (SAVE/RECALL ► Action = Display Refs) to toggle on or off display of the specified reference memory waveform.

Options	Settings or Submenus	Comments
Ref(x)	On, Off)	Toggles on or off display of the specified reference memory waveform.

## Setting the Printer Options

You use the Printer Setup menu (UTILITY ► Options ► Printer Setup) to configure the printer file format and port settings.

Options	Settings or Submenus	Comments
Print Button		See page 5 for information on the Print Button settings.
Print Port	Centronics, RS-232	Communication port used to connect the oscilloscope to a printer.
Printer Format	Thinkjet, Deskjet, Laser Jet, Bubble Jet, Epson Dot, DPU411, DPU412, DPU3445, Epson C60, Epson C80, BMP, PCX, TIFF, RLE, EPSIMAGE	Type of printer connected to the communication port. This menu option is active when the Print Button is set to Prints.
File Format	BMP, PCX, TIFF, RLE, EPSIMAGE	Type of graphics image file format. This menu option is active when the Print Button is set to Saves Image to Files.
Layout	Portrait, Landscape	Printer output orientation.
Ink Saver	On, Off	Toggles On or off printing the screen as a black image on a white background. Only available in TDS2000-Series oscilloscopes.
Abort Printing		Stops sending screen data to the printer.

## Setting the Date and Time

You use the Set Date and Time menu (UTILITY ► Options ► Set Date and Time) to set the module clock date and time. The module uses this information to time stamp files written to the card. The module contains a built-in non-replaceable battery to maintain the clock settings.

Options	Settings	Comments
↑ ↓		Moves the field selection highlight up or down through the list. Use the TRIGGER LEVEL knob to change the value of the selected field.
Set Date and Time		Updates the module with the specified date and time settings.
Cancel		Closes the menu and returns to the previous menu without saving any changes.

### Key Points

**Seasonal Time Changes.** The module clock/calendar does not automatically adjust for seasonal time changes. The module does adjust for Leap years.

## Managing Files and Folders

You use the File Utilities function (UTILITY ► File Utilities) to do the following:

- List the contents of the current folder.
- Select a file or folder.
- Navigate to other folders.
- Create, rename, and delete files and folders.
- Format the CompactFlash card.

Options	Comments
Change Folder	<p>Navigates to the selected CF card folder. Use the HORIZONTAL POSITION knob to select a file or folder, then push the Change Folder menu option to navigate to the selected folder.</p> <p>To return to the previous folder, select the UP folder item and push the Change Folder menu option.</p>
New Folder	Creates a new CF card folder at the current folder location, named NEW_FOL, and displays the file Rename menu for changing the default name.
Delete (filename/folder)	Deletes the selected file name or folder. A folder must be empty before you can delete it.
Confirm Delete	Displays after pressing Delete, to confirm a file delete action. Pressing any button or knob other than Confirm Delete cancels the file delete action.
Rename	Displays the Rename screen to rename a folder or file; see <i>Renaming Files and Folders</i> on page 15.

Options	Settings	Comments
Format	Yes, No	Formats the CompactFlash card. Formatting deletes all data on the CF card.

## Renaming Files and Folders

You use the Rename screen (UTILITY ► File Utilities ► Rename) to change the names of files and folders on the CompactFlash card.

Options	Settings or Submenus	Comments
Enter Character	A - Z 0 - 9 _ .	Enters the highlighted alphanumeric character at the current Name field cursor position.  Use the HORIZONTAL POSITION knob to select an alphanumeric character or the Backspace, Delete Character, or Clear Name functions.
	Backspace	Changes the menu button 1 option to the Backspace function. Deletes the character to the left of the highlighted character in the Name field.
	Delete Character	Changes the menu button 1 option to the Delete Character function. Deletes the highlighted character from the Name field.
	Clear Name	Changes the menu button 1 option to Clear Name. Deletes all characters from the Name field.

Options	Settings or Submenus	Comments
← →		Moves the Name field cursor left or right by one position.
OK		Changes the folder of file name to that shown in the Name field.
Cancel		Cancel the rename action (does not change the folder or file name) and returns to the previous menu.

### Using Programming Commands through the RS-232 Port

See the *TDS2CMA Communications Module* section in the *TDS1000- and TDS2000-Series Digital Storage Oscilloscope User Manual* for information on controlling the TDS2MEM or the oscilloscope functions through the RS-232 port. See the *TDS1000- and TDS2000-Series Digital Storage Oscilloscope Programmer Manual* (Tektronix part number 071-1075-01 or later) for command syntax information.

### Using the CompactFlash Card Reader

Refer to the included CF card reader documentation to install, configure, and use the CF card reader on your PC's USB port. You may need to install USB drivers to use the CF card reader.

Tektronix warrants the included CF card and CF card reader for three (3) months. Refer to the front of this document for specific warranty information. Please contact the respective manufacturers of these items for warranty or service support after the three-month Tektronix warranty period.

# **Manuel utilisateur**



## **Module de communication à mémoire TDS2MEM**

**071-1262-00**

Ce document s'applique aux versions de firmware  
FV:v6.00 et supérieures.

**[www.tektronix.com](http://www.tektronix.com)**

Copyright © Tektronix, Inc. Tous droits réservés.

Les produits Tektronix sont protégés par des brevets américains et étrangers déjà déposés et en cours d'obtention. Les informations contenues dans ce document remplacent celles publiées précédemment. Les spécifications et les prix peuvent être modifiés.

Tektronix, Inc., P.O. Box 500, Beaverton, OR 97077, Etats-Unis

TEKTRONIX et TEK sont des marques déposées de Tektronix, Inc.

CompactFlash est une marque déposée de CompactFlash Association.

## **RESUME DE LA GARANTIE TDS2MEM**

Tektronix garantit les produits qu'elle fabrique et commercialise contre tout défaut de matériau ou vice de fabrication pendant une période de trois (3) ans, à compter de la date d'expédition par un distributeur Tektronix agréé. Si un produit ou un tube cathodique se révèle défectueux pendant cette période, Tektronix s'engage à procéder, soit à la réparation, soit au remplacement du produit, comme il est décrit dans le texte intégral de la garantie.

Pour faire effectuer une réparation ou obtenir un exemplaire intégral de la garantie, veuillez contacter le bureau de vente et le service après-vente Tektronix le plus proche.

**HORMIS CE QUI EST CONTENU DANS CE RESUME OU DANS LE DOCUMENT DE GARANTIE APPLICABLE, TEKTRONIX REFUTE TOUTE GARANTIE, EXPLICITE OU IMPLICITE, Y COMPRIS ET SANS LIMITATION LES GARANTIES IMPLICITES D'APTITUDE A LA COMMERCIALISATION OU D'ADEQUATION A UNE UTILISATION SPECIFIQUE. EN AUCUN CAS, TEKTRONIX NE POURRA ETRE TENU RESPONSABLE DE DOMMAGES INDIRECTS, SPECIAUX OU CONSECUTIFS.**

## **GARANTIE**

### **Carte CompactFlash et lecteur CompactFlash**

Tektronix garantit les composants, ensembles et pièces (« produit ») qu'elle fabrique et commercialise contre tout défaut de matériau ou vice de fabrication pendant une période de trois (3) mois, à compter de la date d'expédition. Si un des produits Tektronix se révèle défectueux pendant sa période de garantie, Tektronix peut au choix réparer le produit en question en prenant à sa charge les frais de main-d'œuvre et de pièces, soit fournir un produit de remplacement en échange de celui défectueux.

Pour pouvoir prétendre à la garantie, le client doit notifier à Tektronix le défaut avant l'expiration de la période de garantie et effectuer les démarches correspondantes. Il appartient au client d'emballer et d'expédier le produit défectueux au centre de réparation indiqué par Tektronix, avec les frais d'expédition prépayés. Tektronix prendra à sa charge la réexpédition du produit au client si le destinataire se trouve dans le pays où le centre de réparation Tektronix est implanté. Tous les frais d'expédition, droits, taxes et autres frais afférents à la réexpédition du produit dans un autre lieu sont à la charge du client.

Cette garantie est caduque en cas de défaillance, de panne ou de dommage provoqué par un usage impropre ou un défaut de soin ou de maintenance. Tektronix n'est pas contraint d'assurer les réparations sous garantie dans les cas suivants : a) réparations résultant de dommages provoqués par du personnel non mandaté par Tektronix qui a installé, réparé ou entretenu le produit ; b) réparations résultant d'une utilisation impropre ou d'un raccordement à des équipements incompatibles ; c) réparation des dommages ou dysfonctionnements résultant de l'utilisation de pièces non fournies par Tektronix ; ou d) entretien d'un produit modifié ou intégré à d'autres produits, rendant ainsi le produit plus difficile à entretenir ou augmentant la périodicité des entretiens.

**CETTE GARANTIE EST ACCORDEE PAR TEKTRONIX, A L'EXCEPTION DE TOUTES LES AUTRES GARANTIES, IMPLICITES OU EXPLICITES. TEKTRONIX ET SES FOURNISSEURS NE DONNENT AUCUNE GARANTIE IMPLICITE QUANT A LA QUALITE MARCHANDE OU A L'ADEQUATION DU PRODUIT POUR DES USAGES PARTICULIERS. LE SEUL RECOURS DU CLIENT EN CAS DE VIOLATION DE CETTE GARANTIE EST D'EXIGER DE TEKTRONIX QU'IL REPARRE OU REMPLACE LE PRODUIT DEFECTUEUX. TEKTRONIX ET SES FOURNISSEURS NE POURRONT PAR CONSEQUENT PAS ETRE TENUS RESPONSABLES DES DOMMAGES INDIRECTS, SPECIAUX OU CONSECUTIFS, MEME S'ILS SONT INFORMES AU PREALABLE DE L'EVENTUALITE DES DOMMAGES EN QUESTION.**

# Consignes générales de sécurité

Veillez lire attentivement les précautions et consignes de sécurité suivantes afin d'éviter de vous blesser ou de risquer d'endommager ce produit et ceux qui lui sont reliés.

Pour écarter tout danger, utilisez uniquement ce produit dans les conditions spécifiées.

*Seul le personnel qualifié doit être autorisé à effectuer les opérations d'entretien.*

## Pour éviter les incendies et les dommages corporels

**Mettez le produit à la terre.** Ce produit est indirectement raccordé à la terre au moyen du fil de masse du cordon d'alimentation du châssis. Pour éviter tout choc électrique, le fil de masse doit être connecté à une prise de terre. Avant de procéder aux branchements des terminaux d'entrée et de sortie du produit, veillez à ce que celui-ci soit correctement mis à la terre.

**Respectez toutes les valeurs nominales des terminaux.** Pour éviter tout risque d'incendie ou de choc électrique, respectez toutes les limites et indications nominales du produit. Consultez le manuel livré avec le produit où figurent toutes les informations complémentaires avant de procéder au branchement du produit.

Le terminal commun est au potentiel de la terre. Ne le connectez pas à une tension trop élevée.

**Ne mettez pas l'appareil en service sans ses capots.** Ne mettez pas l'appareil en service si ses capots ou panneaux ont été retirés.

**Évitez tout circuit exposé.** Ne touchez à aucun branchement ou composant exposé quand l'appareil est sous tension.

**Ne pas utiliser cas de défaillances suspectes.** En cas de doute sur le bon état de ce matériel, faites-le inspecter par un technicien qualifié.

**Ne pas utiliser dans un environnement humide.**

**Ne pas utiliser dans un environnement explosif.**

**Maintenez les surfaces du produit propres et sèches.**

### Symboles et termes

**Termes apparaissant dans ce manuel.** Les mentions suivantes peuvent figurer dans ce manuel :



**AVERTISSEMENT** : *Les avertissements identifient des conditions ou des interventions pouvant entraîner des blessures graves ou mortelles.*

---



**ATTENTION** : *Les mises en garde identifient les conditions ou les actions susceptibles d'endommager le matériel ou d'autres équipements.*

---

**Mentions figurant sur le produit.** Les mentions suivantes peuvent figurer sur le produit :

DANGER indique un risque de blessure immédiate à la lecture de l'étiquette.

AVERTISSEMENT indique un risque de blessure non immédiate à la lecture de l'étiquette.

PRECAUTION indique un risque de dommage de propriété, y compris du produit.

**Symboles figurant sur le produit.** Les symboles suivants peuvent figurer sur le produit :



MISE EN GARDE  
Reportez-vous  
au manuel



Terminaison  
à la terre

### Recyclage de la batterie

Ce produit contient une batterie au Lithium non remplaçable. Veuillez mettre au rebut la batterie conformément à la réglementation locale.



## Pour contacter Tektronix

<b>Téléphone</b>	1-800-833-9200*
<b>Adresse</b>	Tektronix, Inc. Service ou nom (si connu) 14200 SW Karl Braun Drive P.O. Box 500 Beaverton, OR 97077 USA
<b>Site Web</b>	<a href="http://www.tektronix.com">www.tektronix.com</a>
<b>Service commercial</b>	1-800-833-9200, sélectionnez l'option 1*
<b>Service clientèle</b>	1-800-833-9200, sélectionnez l'option 1*
<b>Assistance technique</b>	E-mail : <a href="mailto:techsupport@tektronix.com">techsupport@tektronix.com</a> 1-800-833-9200, sélectionnez l'option 3* de 6 heures à 17 heures, fuseau horaire Pacifique

---

\* Ce numéro de téléphone est gratuit en Amérique du Nord. En dehors des heures de bureau, veuillez laisser un message vocal. En dehors de l'Amérique du Nord, contactez un bureau de vente ou un distributeur Tektronix ; pour obtenir la liste des bureaux, consultez le site Web Tektronix.

Pour contacter Tektronix

---

# Utilisation du module de communication à mémoire TDS2MEM

Le module de communication à mémoire TDS2MEM est doté d'une mémoire par carte CompactFlash (CF) Type 1 amovible, d'une fonctionnalité de programmation à distance RS-232, et d'un connecteur de sortie d'imprimante RS-232 et Centronics permettant une connexion à votre oscilloscope série TDS1000- ou TDS2000.

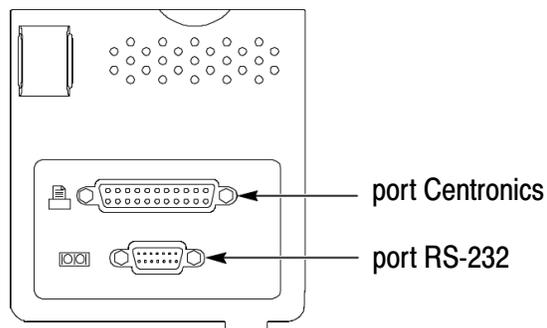
---

**REMARQUE :** *Ce module n'est pas compatible avec les oscilloscopes série TDS200.*

---

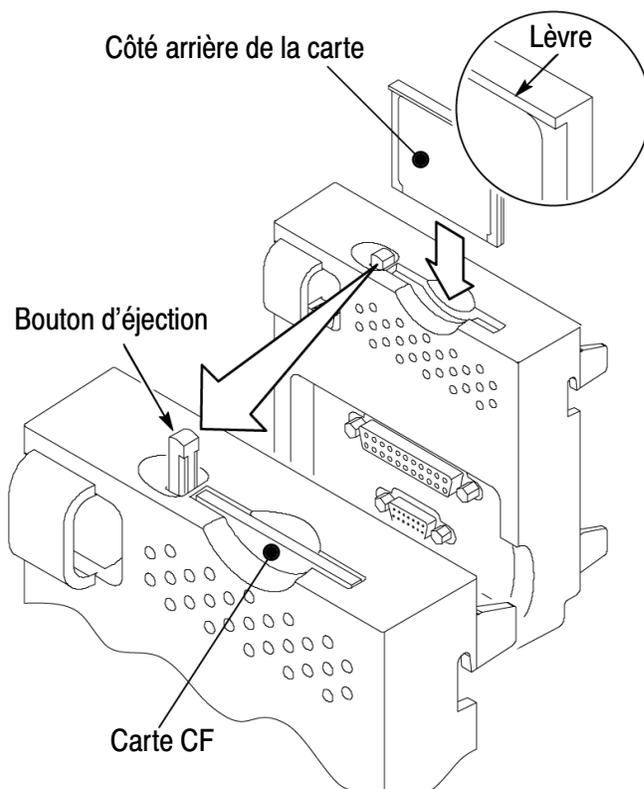
## Installation du module

Pour obtenir les instructions d'installation du module, reportez-vous à la fiche *Installation du module d'extension de communication série DS200-, TDS1000- et TDS2000*. L'illustration suivante identifie les ports de sortie du module TDS2MEM.



## Installation et retrait de la carte CompactFlash

Insérez la carte CompactFlash Type 1 dans la fente jusqu'à ce qu'elle soit au même niveau que le boîtier du module, comme illustré ci-après. La carte CF est protégée pour n'être insérée que dans un sens. Si la carte CF ne rentre pas facilement dans son logement, retirez-la puis réinsérez-la correctement.



Pour retirer la carte CompactFlash, pressez et relâchez le bouton d'éjection jusqu'à sa butée, puis appuyez de nouveau sur le bouton d'éjection pour retirer la carte CF de son logement. Retirez la carte CF de la fente du module.

## Temps de lecture initial de la carte CompactFlash

Le module TDS2MEM lit la structure interne d'une carte CF à chaque insertion. Le temps de lecture dépend de la taille de la carte et de son formatage. Pour réduire considérablement le temps de lecture initial des cartes CF de 64 Mo et des modèles de plus grande capacité utilisés dans le module TDS2MEM, formatez-les à l'aide de la fonction de formatage du TDS2MEM (UTILITAIRE ► Utilitaires Fichiers ► Format).

## Formatage d'une carte CompactFlash

1. Insérez une carte CF dans le module.
2. Appuyez sur le bouton **UTILITAIRE** situé sur la face avant.
3. Sélectionnez l'option de menu **Utilitaires Fichiers**.
4. Sélectionnez l'option de menu **Suite** pour afficher la page 2 du menu.
5. Sélectionnez l'option de menu **Format**.
6. Sélectionnez l'option de menu **Oui** pour formater la carte CF. Cette opération supprime toutes les données figurant sur la carte CF.

## Capacités d'une carte CompactFlash

Voici le nombre approximatif de fichiers, par type, que vous pouvez stocker dans 1 Mo de mémoire sur la carte CF :

- 5 opérations de sauvegarde intégrale (reportez-vous à la section *Sauvegarde d'informations à l'aide du bouton PRINT (IMPRIMER)* en page 5)
- 16 fichiers d'images d'écran (la capacité réelle dépend du format d'image sélectionné) (reportez-vous à la section *Sauvegarde d'une image d'écran dans un fichier* en page 7)

- 250 fichiers de réglage (.set) de l'oscilloscope (reportez-vous à la section *Sauvegarde des réglages de l'oscilloscope* en page 8)
- 18 fichiers de signal (.csv) (reportez-vous à la section *Sauvegarde des fichiers de signal* en page 9)

### Conventions de gestion des fichiers

- L'oscilloscope vérifie l'espace disponible sur la carte CompactFlash avant d'écrire les fichiers, puis affiche un message d'avertissement s'il n'y a pas assez de mémoire pour les fichiers que vous écrivez.
- Le terme *dossier* utilisé dans ce manuel fait référence à un répertoire sur la carte CF.
- L'emplacement de sauvegarde ou de rappel des fichiers par défaut est le dossier courant.
- Le dossier racine est A:\.
- L'oscilloscope réinitialise le dossier courant sur A:\ lorsque vous allumez l'appareil ou lorsque vous insérez une carte CF après la mise sous tension de l'oscilloscope.
- Les noms de fichier peuvent contenir de un à huit caractères suivis d'un point, puis une extension contenant de un à trois caractères.
- Les noms de fichier longs créés sur des systèmes d'exploitation pour PC sont affichés avec le nom de fichier raccourci du système d'exploitation.
- Les noms de fichier sont en majuscules.

## Sauvegarde d'informations à l'aide du bouton PRINT (IMPRIMER).

Vous devez utiliser le menu Sauveg. tot. (SAUV./RAP ▶ Action = Sauveg. tot.) pour que le bouton PRINT (IMPRIMER) exécute une des trois fonctions suivantes :

- Sauvegarder automatiquement les informations de l'oscilloscope dans plusieurs fichiers d'un dossier.
- Sauvegarder l'image d'écran dans un fichier.
- Imprimer l'image d'écran via le port d'imprimante courant.

Options	Réglages ou sous-menus	Commentaires
Bouton Print (Imprimer)	Sauvegarde tout	Définit le bouton d'impression afin qu'il sauvegarde toutes les informations actives de l'oscilloscope (signaux, image d'écran, réglages) dans des fichiers stockés dans un nouveau sous-dossier du dossier courant de la carte CF. Voir <i>Sauvegarde tout</i> en page 1-6.
	Sauvegarde image	Définit le bouton d'impression afin qu'il envoie l'image d'écran vers un fichier sur la carte CF.
	Imprime vers	Définit le bouton d'impression afin qu'il envoie l'image d'écran vers le port d'imprimante courant.
Sélection Dossier		Répertorie le contenu du dossier courant de la carte CF et affiche les options de menu suivantes :
	Modif. Dossier	Reportez-vous à la section <i>Gestion des fichiers et des dossiers</i> en page 14.
	Nouv. Dossier	
	Retour	Revient au menu Sauveg. tot.
À propos de Sauvegarde totale		Affiche le texte d'aide correspondant à cette tâche.

### Informations importantes

**Sauvegarde tout.** Le fait de définir le bouton d'impression avec cette option permet de sauvegarder facilement et rapidement, par une simple pression de bouton, toutes les informations actuelles de l'oscilloscope. En appuyant sur le bouton PRINT (IMPRIMER), vous créez un nouveau dossier et y sauvegardez les informations suivantes dans des fichiers distincts, à partir des réglages d'appareil et des paramètres de format de fichier actifs, tels que définis dans le tableau suivant :

Source	Nom de fichier
CH(x)	FnnnnCHx.CSV, nnnn étant un nombre généré automatiquement, et x correspondant au numéro de la voie.
MATH	FnnnnMTH.CSV
Ref(x)	FnnnnRFx.CSV, x correspondant à la lettre de la mémoire de référence.
Image à l'écran	FnnnnTEK.???, ??? représentant le format de fichier courant de l'image sauvegardée.
Réglages	FnnnnTEK.SET

**Fichiers .CSV.** Les fichiers .CSV (valeurs séparées par des virgules) contiennent une chaîne de texte ASCII indiquant le temps (par rapport au déclenchement) et les valeurs de voltage de chacun des 2 500 points de données de signal. Vous pouvez importer les fichiers .csv dans un grand nombre de tableurs et d'applications d'analyse mathématique.

**Fichiers d'image d'écran.** Vous pouvez importer les fichiers d'image d'écran dans un grand nombre de tableurs et d'applications de traitement de texte. Le type du fichier image que vous importez dépend de votre application.

**Fichiers .SET.** Les fichiers SET contiennent une chaîne de texte ASCII indiquant les réglages de l'oscilloscope.

## Sauvegarde d'une image d'écran dans un fichier

Vous devez utiliser le menu Sauvegarde image (SAUV./RAP ► Action = Sauvegarde image) pour sauvegarder l'image d'écran de l'oscilloscope dans un fichier par défaut portant le nom TEKnnnn.???, .??? représentant le format du fichier graphique défini. Vous pouvez importer les fichiers d'image d'écran dans un grand nombre de tableurs et d'applications de traitement de texte.

Options	Réglages ou sous-menus	Commentaires
Format de fichier	BMP, PCX, TIFF, RLE, EPSIMAGE	Définit le format du fichier graphique de l'image à l'écran.
À propos de Sauvegarde Images		Affiche le texte d'aide correspondant à cette tâche.
Sélection Dossier		Répertorie le contenu du dossier courant de la carte CF et affiche les options de menu suivantes :
	Modif. Dossier	Reportez-vous à la section <i>Gestion des fichiers et des dossiers</i> en page 14.
	Présentation	Permet de sélectionner une présentation d'image de type portrait ou paysage.
	Economie d'encre Act., Désact.	Permet de basculer le mode Economie d'encre sur Activé ou Désactivé (modèles couleur uniquement).
	Nouv. Dossier	Reportez-vous à la section <i>Gestion des fichiers et des dossiers</i> en page 14.
Mise en mémoire	nom de fichier	Sauvegarde l'image d'écran dans le fichier généré automatiquement dans le dossier courant de la carte CF.

## Sauvegarde des réglages de l'oscilloscope

Vous devez utiliser le menu Sauvegarde config. (SAUV./RAP ► Action = Sauv. config.) pour sauvegarder les réglages courants de l'oscilloscope dans un fichier TEKnnnn.SET stocké dans le dossier indiqué ou dans la mémoire de réglage non volatile. Un fichier de réglage contient une chaîne de texte ASCII indiquant les réglages de l'oscilloscope.

Options	Réglages ou sous-menus	Commentaires
Sauvegarde vers	Mémoire Config.	Indique que les réglages courants de l'oscilloscope doivent être sauvegardés dans la mémoire de réglage non volatile.
	Fichier	Indique que les réglages courants de l'oscilloscope doivent être sauvegardés dans un fichier sur la carte CF.
Mémoire Config.	1 à 10	Indique l'emplacement de la mémoire de réglage non volatile.
Sélection Dossier		Répertorie le contenu du dossier courant de la carte CF et affiche les options de menu suivantes :
	Modif. Dossier	Reportez-vous à la section <i>Gestion des fichiers et des dossiers</i> en page 14.
	Nouv. Dossier	Revient au menu Sauveg. tot.
Mise en mémoire		Sauvegarde les réglages dans l'emplacement indiqué pour la mémoire de réglage.
	nom de fichier	Sauvegarde les réglages dans le fichier généré automatiquement dans le dossier courant de la carte CF.

## Sauvegarde des fichiers de signal

Vous devez utiliser le menu Sauveg. signal (SAUV./RAP ► Action = Sauveg. signal) pour sauvegarder le signal défini dans un fichier TEKnnnn.CSV ou dans la mémoire de référence. Le module sauvegarde les données de signal dans des fichiers au format CSV (valeurs séparées par des virgules), qui correspondent à une chaîne de texte ASCII indiquant le temps (par rapport au déclenchement) et les valeurs de tension de chacun des 2 500 points de données de signal. Vous pouvez importer les fichiers .csv dans un grand nombre de tableurs et d'applications d'analyse mathématique.

Options	Réglages ou sous-menus	Commentaires
Sauvegarde vers	Fichier	Indique que les données du signal source doivent être sauvegardées dans un fichier sur la carte CF.
	Réf	Indique que les données du signal source doivent être sauvegardées dans la mémoire de référence.
Source	CH(x), Réf(x), MATH	Indique le signal source à sauvegarder.
Sauvegarde vers	Réf(x)	Indique l'emplacement de mémoire de référence dans lequel le signal source doit être sauvegardé.
Sélection Dossier		Répertorie le contenu du dossier courant de la carte CF et affiche les options de menu suivantes :
	Modif. Dossier	Reportez-vous à la section <i>Gestion des fichiers et des dossiers</i> en page 14.
	Nouv. Dossier	
Mise en mémoire		Sauvegarde le signal dans la mémoire de référence spécifiée.
	nom de fichier	Sauvegarde les données du signal dans le fichier généré automatiquement dans le dossier courant de la carte CF.

## Rappel des réglages de l'oscilloscope

Vous devez utiliser le menu Rappel config. (SAUV./RAP ▶ Action = Rappel conf.) pour charger les informations de configuration de l'oscilloscope à partir d'un fichier ou d'un emplacement de mémoire.

Options	Réglages ou sous-menus	Commentaires
Rappel de	Mémoire Config.	Indique que les réglages de l'oscilloscope doivent être rappelés à partir de la mémoire non volatile.
	Fichier	Indique que les réglages de l'oscilloscope doivent être rappelés à partir d'un fichier sur la carte CF.
Mémoire Config.	1 à 10	Indique l'emplacement de mémoire non volatile à partir duquel les réglages de l'oscilloscope doivent être rappelés.
Sélection Dossier		Répertorie le contenu du dossier courant de la carte CF à partir duquel un fichier doit être sélectionné, et affiche les options de menu suivantes :
	Modif. Dossier	Reportez-vous à la section <i>Gestion des fichiers et des dossiers</i> en page 14.
Rappel		Rappelle les réglages à partir de la mémoire non volatile.
	nom de fichier	Rappelle les réglages à partir du fichier de carte CF spécifié.

## Rappel des fichiers de signal

Vous devez utiliser le menu Rappel signal (SAUV./RAP ► Action = Rappel Signal) pour charger les données du signal à partir d'un fichier de la carte CF figurant dans l'emplacement de mémoire de référence spécifié.

Options	Réglages ou sous-menus	Commentaires
Vers	Réf(x)	Indique l'emplacement de mémoire de référence dans lequel les données du signal doivent être chargées.
Sélection Dossier		Répertorie le contenu du dossier courant de la carte CF à partir duquel un fichier doit être sélectionné, et affiche les options de menu suivantes :
	Modif. Dossier	Reportez-vous à la section <i>Gestion des fichiers et des dossiers</i> en page 14.
	Vers Réf (x)	Indique l'emplacement de mémoire de référence dans lequel les données du signal doivent être chargées.
Rappel	nom de fichier	Charge les données du signal à partir du fichier spécifié dans la mémoire de référence.

## Affichage des signaux de référence

Vous devez utiliser le menu Affich. réfs. (SAUV./RAP ► Action = Affich. réfs.) pour activer ou désactiver l'affichage du signal de mémoire de référence spécifié.

Options	Réglages ou sous-menus	Commentaires
Réf(x)	Act., Désact.	Active ou désactive l'affichage du signal de mémoire de référence spécifié.

## Configuration des options d'impression

Vous devez utiliser le menu Configuration imprimante (UTILITAIRE ► Options ► Configuration imprimante) pour configurer le format de fichier de l'imprimante et les paramètres de port.

Options	Réglages ou sous-menus	Commentaires
Bouton Print (Imprimer)		Pour plus d'informations sur les réglages du bouton Print (Imprimer), reportez-vous à la page 5.
Port imprim.	Centronics, RS232	Port de communication utilisé pour connecter l'oscilloscope à une imprimante.
Format d'imprimante	Thinkjet, Deskjet, Laser Jet, Bubble Jet, Epson Dot, DPU411, DPU412, DPU3445, Epson C60, Epson C80, BMP, PCX, TIFF, RLE, EPSIMAGE	Type d'imprimante connectée au port de communication. Cette option de menu est active lorsque le bouton Impr. est réglé sur Imprime vers.
Format de fichier	BMP, PCX, TIFF, RLE, EPSIMAGE	Type de format du fichier image. Cette option de menu est active lorsque le bouton Impr. est réglé sur Imprime vers.
Présentation	Portrait, Paysage	Orientation de la sortie papier de l'imprimante.
Economie d'encre*	Act., Désact.	Active ou désactive l'impression de l'écran sous forme d'une image noire sur fond blanc. Uniquement disponible sur les oscilloscopes série TDS2000.
Suspendre impression		Interrompt l'envoi des données affichées à l'écran vers l'imprimante.

## Réglage de la date et de l'heure

Vous devez utiliser le menu Régler date et heure (UTILITAIRE ► Options ► Régler date et heure) pour régler la date et l'heure du module. Le module utilise ces informations pour horodater les fichiers écrits sur la carte. Il contient une batterie intégrée non remplaçable qui permet de conserver les réglages de l'horloge.

Options	Réglages	Commentaires
↑ ↓		Déplace la mise en surbrillance de sélection du champ vers le haut ou vers le bas dans la liste. Utilisez le bouton NIVEAU DÉCLENCHEMENT pour modifier la valeur du champ sélectionné.
Régler date et heure		Met à jour le module avec les réglages de date et d'heure spécifiés.
Annuler		Ferme le menu et revient au menu précédent sans sauvegarder les modifications.

### Informations importantes

**Changements d'heure saisonniers.** L'horloge/le calendrier du module ne s'ajuste pas automatiquement en fonction des changements d'heure saisonniers. Il s'ajuste pour les années bissextiles.

## Gestion des fichiers et des dossiers

Vous devez utiliser la fonction Utilitaires Fichiers (UTILITAIRE ► Utilitaires Fichiers) pour effectuer les opérations suivantes :

- Répertorier le contenu du dossier courant.
- Sélectionner un fichier ou un dossier.
- Accéder à d'autres dossiers.
- Créer, renommer et supprimer des fichiers et des dossiers.
- Formater la carte CompactFlash.

Options	Commentaires
Modif. Dossier	Permet d'accéder au dossier sélectionné sur la carte CF. Utilisez le bouton HORIZONTAL POSITION pour sélectionner un fichier ou un dossier, puis appuyez sur l'option de menu Modif. Dossier pour accéder au dossier sélectionné.  Pour revenir au dossier précédent, sélectionnez l'option de dossier Précédent et appuyez sur l'option de menu Modif. Dossier.
Nouv. Dossier	Crée un nouveau dossier intitulé NEW_FOL dans le dossier courant de la carte CF et affiche le menu de modification du nom de fichier afin de changer le nom par défaut.
Supprimer (nom de fichier/dossier)	Supprime le nom de fichier ou le dossier sélectionné. Un dossier doit être vide pour pouvoir être supprimé.
Confirmer Suppression	S'affiche après avoir appuyé sur Supprimer afin de confirmer l'action de suppression d'un fichier. Si vous appuyez sur un bouton autre que Confirmer Suppression, l'action de suppression du fichier sera annulée.
Renommer	Affiche l'écran Renommer dans lequel vous pouvez renommer un dossier ou un fichier ; reportez-vous à la section <i>Modification du nom des fichiers et des dossiers</i> en page 15.

Options	Réglages	Commentaires
Format	Oui, Non	Formate la carte CompactFlash. Cette opération supprime toutes les données sur la carte CF.

## Modification du nom des fichiers et des dossiers

Vous devez utiliser l'écran Renommer (UTILITAIRE ► Utilitaires Fichiers ► Renommer) pour modifier les noms de fichiers et dossiers figurant sur la carte CompactFlash.

Options	Réglages ou sous-menus	Commentaires
Entrer Caractère	A - Z 0 - 9 _ .	Permet de saisir le caractère alphanumérique mis en surbrillance au niveau de la position du curseur dans le champ Nom courant.  Utilisez le bouton HORIZONTAL POSITION pour sélectionner un caractère alphanumérique, ou utilisez les fonctions Retour arr., Supprimer caract. ou Effacer nom.
	Retour arr.	Modifie l'option du bouton de menu 1 en lui affectant la fonction Retour arr. Supprime le caractère situé à gauche du caractère mis en surbrillance dans le champ Nom.
	Supprimer caractère	Modifie l'option du bouton de menu 1 en lui affectant la fonction Supprimer caractère. Supprime du champ Nom le caractère mis en surbrillance.
	Effacer nom	Modifie l'option du bouton de menu 1 en lui affectant la fonction Effacer nom. Supprime tous les caractères du champ Nom.

Options	Réglages ou sous-menus	Commentaires
← →		Déplace d'une unité vers la gauche ou la droite le curseur du champ Nom.
OK		Modifie le nom du dossier ou du fichier en lui attribuant le nom indiqué dans le champ Nom.
Annuler		Annule l'action de changement de nom (ne modifie pas le nom du dossier ou du fichier) et revient au menu précédent.

## Utilisation des commandes de programmation via le port RS-232

Pour plus d'informations sur le contrôle de l'oscilloscope TDS2MEM ou de ses fonctions par l'intermédiaire du port RS-232, reportez-vous à la section *Module de communication TDS2CMA* du *Manuel utilisateur de l'oscilloscope à mémoire numérique TDS1000/TDS2000*. Pour plus d'informations sur la syntaxe des commandes, reportez-vous au *Manuel de programmation de l'oscilloscope à mémoire numérique TDS1000/TDS2000* (numéro de référence Tektronix 071-1075-01 ou version ultérieure).

## Utilisation du lecteur de cartes CompactFlash

Pour installer, configurer et utiliser le lecteur de cartes CF sur le port USB de votre ordinateur, reportez-vous à la documentation jointe relative au lecteur de cartes CompactFlash. Vous devrez peut-être installer les pilotes USB pour utiliser le lecteur de cartes CF.

Tektronix garantit pendant trois (3) mois la carte et le lecteur de cartes CompactFlash fournis. Pour obtenir des informations spécifiques sur la garantie, reportez-vous aux premières pages de cette documentation. Après la période de garantie de trois mois offerte par Tektronix, contactez les fabricants respectifs de ces appareils pour la garantie ou le service après-vente.

# **Benutzerhandbuch**



## **TDS2MEM Datenspeicher- und Kommunikationsmodul**

**071-1262-00**

Dieses Dokument unterstützt Firmware der Version 6.00  
und höher.

**[www.tektronix.com](http://www.tektronix.com)**

Copyright © Tektronix Inc. Alle Rechte vorbehalten.

Tektronix-Produkte sind durch erteilte und angemeldete US- und Auslandspatente geschützt. Die Informationen in dieser Broschüre machen Angaben in allen früheren Unterlagen hinfällig. Änderungen der Spezifikationen und der Preisgestaltung vorbehalten.

Tektronix Inc., P.O. Box 500, Beaverton, OR 97077, USA

TEKTRONIX und TEK sind eingetragene Warenzeichen der Tektronix, Inc.

CompactFlash ist ein eingetragenes Warenzeichen der CompactFlash Association.

## **GARANTIEHINWEIS TDS2MEM**

Tektronix leistet auf Produkte aus eigener Fertigung und eigenem Vertrieb Garantie gegen Mängel in Werkstoffen und Herstellung für eine Dauer von drei (3) Jahren ab Datum der Auslieferung von einem Tektronix-Vertragshändler. Falls sich ein Produkt oder eine Röhre innerhalb dieser Frist als mangelhaft erweist, übernimmt Tektronix die Reparatur oder leistet Ersatz gemäß der Angabe in der vollständigen Garantieerklärung.

Zur Inanspruchnahme unseres Kundendienstes oder zur Übersendung der vollständigen Garantieerklärung bitten wir um Anforderung beim nächstgelegenen Tektronix Verkaufs- und Kundendienstbüro.

AUSSERHALB DER ANGABEN IN DIESEM HINWEIS ODER IN DER ENTSPRECHENDEN GARANTIEERKLÄRUNG ÜBERNIMMT TEKTRONIX KEINERLEI DIREKTE ODER INDIREKTE GARANTIE JEDLICHER ART, DAZU GEHÖREN, JEDOCH NICHT AUSSCHLIESSLICH, IMPLIZITE GARANTIEN ZUR VERTRIEBSFÄHIGKEIT UND DER EIGNUNG FÜR EINEN BESTIMMTEN ZWECK. TEKTRONIX HAFTET KEINESFALLS FÜR INDIREKTE, BESONDERE ODER NACHFOLGENDE SCHÄDEN.

## **GARANTIE**

### **CompactFlash-Karte und CompactFlash-Kartenleser**

Tektronix garantiert, dass die von ihr hergestellten und verkauften Teile, Baugruppen und Betriebsmittel („Produkte“) für einen Zeitraum von drei (3) Monaten ab Versanddatum keine Material- und Qualitätsfehler aufweisen. Wenn eines dieser Produkt innerhalb dieser Garantiezeit Fehler aufweist, steht es Tektronix frei, das fehlerhafte Produkt kostenlos zu reparieren oder einen Ersatz dafür zur Verfügung zu stellen.

Um mit dieser Garantie Kundendienst zu erhalten, muss der Kunde Tektronix über den Fehler vor Ablauf der Garantiezeit informieren und passende Vorkehrungen für die Durchführung des Kundendienstes treffen. Der Kunde ist für die Verpackung und den Versand des fehlerhaften Produkts an die Service-Stelle von Tektronix verantwortlich, die Versandgebühren müssen im Voraus bezahlt sein. Tektronix übernimmt die Kosten der Rücksendung des Produkts an den Kunden, wenn sich die Versandadresse innerhalb des Landes der Tektronix Service-Stelle befindet. Der Kunde übernimmt alle Versandkosten, Fracht- und Zollgebühren sowie sonstige Kosten für die Rücksendung des Produkts an eine andere Adresse.

Diese Garantie tritt nicht in Kraft, wenn Fehler, Versagen oder Schaden auf die falsche Verwendung oder unsachgemäße und falsche Wartung oder Pflege zurückzuführen sind. Tektronix muss keinen Kundendienst leisten, wenn a) ein Schaden behoben werden soll, der durch die Installation, Reparatur oder Wartung des Produkts von anderem Personal als Tektronix-Vertretern verursacht wurde; b) ein Schaden behoben werden soll, der auf die unsachgemäße Verwendung oder den Anschluss an inkompatible Geräte zurückzuführen ist; c) Schäden oder Fehler behoben werden sollen, die auf die Verwendung von Komponenten zurückzuführen sind, die nicht von Tektronix stammen; oder d) wenn ein Produkt gewartet werden soll, an dem Änderungen vorgenommen wurden oder das in andere Produkte integriert wurde, so dass dadurch die aufzuwendende Zeit für den Kundendienst oder die Schwierigkeit der Produktwartung erhöht wird.

**DIESE GARANTIE WIRD VON TEKTRONIX ANSTELLE ANDERER AUSDRÜCKLICHER ODER IMPLIZITER GARANTIEN GEGEBEN. TEKTRONIX UND SEINE HÄNDLER SCHLIESSEN AUSDRÜCKLICH ALLE ANSPRÜCHE AUS DER HANDELBARKEIT ODER DER EINSETZBARKEIT FÜR EINEN BESTIMMTEN ZWECK AUS. FÜR TEKTRONIX BESTEHT DIE EINZIGE UND AUSSCHLIESSLICHE VERPFLICHTUNG DIESER GARANTIE DARIN, FEHLERHAFTE PRODUKTE FÜR DEN KUNDEN ZU REPARIEREN ODER ZU ERSETZEN. TEKTRONIX UND SEINE HÄNDLER ÜBERNEHMEN KEINERLEI HAFTUNG FÜR DIREKTE, INDIRECTE, BESONDERE UND FOLGESCHÄDEN, UNABHÄNGIG DAVON, OB TEKTRONIX ODER DER HÄNDLER VON DER MÖGLICHKEIT SOLCHER SCHÄDEN IM VORAUS UNTERRICHTET IST.**

# Allgemeine Sicherheitshinweise

Beachten Sie die folgenden Sicherheitshinweise zum Schutz vor Verletzungen und zur Verhinderung von Schäden an diesem Gerät oder an damit verbundenen Geräten.

Verwenden Sie dieses Gerät nur gemäß der Spezifikation, um jede mögliche Gefährdung auszuschließen.

*Wartungsarbeiten sind nur von qualifiziertem Personal durchzuführen.*

## Verhütung von Bränden und Verletzungen

**Erden Sie das Produkt.** Das Gerät ist über den Netzkabelschutzleiter des Grundgeräts indirekt geerdet. Zur Verhinderung eines Stromschlags muss der Schutzleiter mit der Stromnetzterdung verbunden sein. Vergewissern Sie sich, dass eine geeignete Erdung besteht, bevor Sie Verbindungen zu den Eingangs- oder Ausgangsanschlüssen des Geräts herstellen.

**Prüfen Sie alle Angaben zu den Anschlüssen.** Beachten Sie zur Verhütung von Bränden oder Stromschlägen die Kenndatenangaben und Kennzeichnungen am Gerät. Lesen Sie die entsprechenden Angaben im Gerätehandbuch, bevor Sie das Gerät anschließen.

Die allgemeine Anschlussklemme liegt auf Erdpotential. Schließen Sie diese Klemme nicht an höhere Spannungen an.

**Nicht ohne Abdeckungen betreiben.** Nehmen Sie das Gerät nicht in Betrieb, wenn Abdeckungen oder Gehäuseteile entfernt sind.

**Vermeiden Sie offenliegende Kabel und Anschlüsse.** Berühren Sie keine freiliegenden Anschlüsse oder Bauteile, wenn diese unter Spannung stehen.

**Bei Verdacht auf Funktionsfehler nicht betreiben.** Wenn Sie vermuten, dass das Gerät beschädigt ist, lassen Sie es von qualifiziertem Wartungspersonal überprüfen.

**Nicht bei hoher Feuchtigkeit oder Nässe betreiben.**

**Nicht in explosionsgefährdeter Atmosphäre betreiben.**

**Sorgen Sie für saubere und trockene Produktoberflächen.**

## Symbole und Begriffe

**Begriffe in diesem Handbuch.** In diesem Handbuch werden die folgenden Begriffe verwendet:



**WARNUNG!** *Warnungen weisen auf Bedingungen oder Verfahrensweisen hin, die eine Verletzungs- oder Lebensgefahr darstellen.*

---



**VORSICHT!** *Vorsichtshinweise machen auf Bedingungen oder Verfahrensweisen aufmerksam, die zu Schäden am Gerät oder zu sonstigen Sachschäden führen können.*

---

**Begriffe auf dem Produkt.** Am Gerät sind eventuell die folgenden Begriffe zu sehen:

DANGER weist auf eine Verletzungsgefahr hin, die mit der entsprechenden Hinweisstelle unmittelbar in Verbindung steht.

WARNING weist auf eine Verletzungsgefahr hin, die nicht unmittelbar mit der entsprechenden Hinweisstelle in Verbindung steht.

CAUTION weist auf mögliche Sach- oder Geräteschäden hin.

**Symbole am Gerät.** Am Gerät sind eventuell die folgenden Symbole zu sehen:



VORSICHT  
Beachten Sie die  
Hinweise im Handbuch.



Schutzleiteran-  
schluss (Erde)

## Wiederverwerten der Batterie

Dieses Produkt enthält eine nicht austauschbare Lithiumbatterie. Entsorgen Sie diese Batterie gemäß der gültigen Entsorgungsvorschriften.

# Tektronix-Kontaktinformationen

<b>Telefonnummer</b>	1-800-833-9200*
<b>Adresse</b>	Tektronix Inc. Abteilung oder Name (sofern bekannt) 14200 SW Karl Braun Drive P.O. Box 500 Beaverton, OR 97077 USA
<b>Website</b>	<a href="http://www.tektronix.com">www.tektronix.com</a>
<b>Vertriebs-Support</b>	1-800-833-9200, wählen Sie Option 1*
<b>Service-Support</b>	1-800-833-9200, wählen Sie Option 1*
<b>Technischer Support</b>	E-Mail: <a href="mailto:techsupport@tektronix.com">techsupport@tektronix.com</a> 1-800-833-9200, wählen Sie Option 3* 6:00 – 17:00 (Pazifische Zeitzone)

---

\* **Diese Rufnummer ist nur in Nordamerika gebührenfrei. Außerhalb der Bürostunden können Sie eine Nachricht auf dem Anrufbeantworter hinterlassen. Außerhalb Nordamerikas wenden Sie sich bitte an ein Tektronix Verkaufsbüro oder einen unserer Distributoren. Eine Liste der Büros finden Sie auf der Tektronix Website.**



# Verwendung des Datenspeicher- und Kommunikationsmoduls TDS2MEM

Das Datenspeicher- und Kommunikationsmodul TDS2MEM für Oszilloskope der Serie TDS1000 bzw. TDS2000 bietet zusätzlichen entnehmbaren Speicherplatz auf CompactFlash-Karten (CF-Karten) des Typs 1, eine Fernprogrammierungsfunktion über RS-232 sowie den Anschluss an einen Drucker über die RS-232- oder Centronics-Schnittstelle.

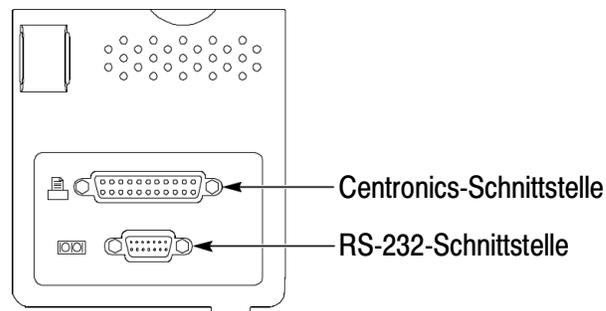
---

**HINWEIS:** Dieses Modul ist mit Oszilloskopen der Serie TDS200 nicht kompatibel.

---

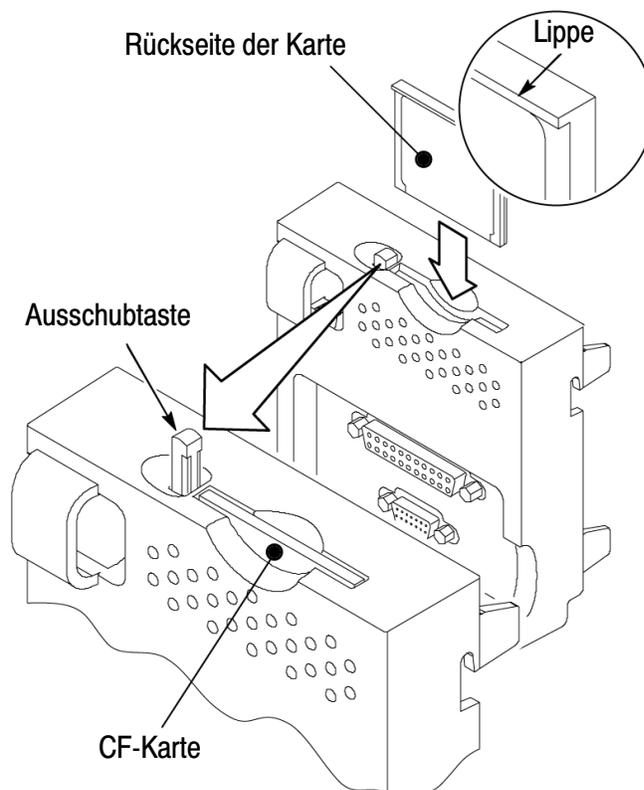
## Installation des Moduls

Installationshinweise für das Modul finden Sie unter *Installation des Erweiterungsmoduls für die Serie TDS200-, TDS1000- und TDS2000*. In folgender Abbildung sehen Sie die Ausgangsanschlüsse des TDS2MEM-Moduls.



## Einstecken und Entnehmen der CompactFlash-Karte

Stecken Sie eine CompactFlash-Karte vom Typ 1 wie in unten stehender Abbildung gezeigt so in den Schlitz, dass die Karte bündig mit dem Modulgehäuse abschließt. Die CompactFlash-Karte ist so gestaltet, dass sie nur in eine Richtung eingesteckt werden kann. Falls sie sich nicht mühelos einstecken lässt, nehmen Sie sie heraus und stecken sie richtig herum ein.



Zum Entnehmen der CompactFlash-Karte Ausschubtaste drücken und loslassen, bis die Taste die volle Größe hat, dann Ausschubtaste erneut drücken, damit die CF-Karte aus dem Schlitz freigegeben wird. Ziehen Sie die CF-Karte aus dem Kartenschlitz des Moduls.

## Ursprüngliche Lesedauer von CompactFlash-Karten

Die interne Struktur einer CF-Karte wird bei jedem Einstecken in das Modul TDS2MEM gelesen. Die Zeit bis zum Abschluss des Lesevorgangs hängt von der Kartengröße und -formatierung ab. Zur Beschleunigung der ursprünglichen Lesedauer von CF-Karten mit 64 MB und mehr, die im Modul TDS2MEM verwendet werden, formatieren Sie die Karte mit der TDS2MEM-Formatfunktion (DIENSTPGM. ▶ Datei Dienstprogr. ▶ Formatieren).

## Formatierung einer CompactFlash-Karte

1. Legen Sie eine CF-Karte in das Modul ein.
2. Drücken Sie die Taste **DIENSTPGM.** auf dem vorderen Bedienfeld.
3. Wählen Sie die Menüoption **Datei Dienstprogr..**
4. Wählen Sie die Menüoption **Weiter** aus, um auf Seite 2 des Menüs zu gelangen.
5. Wählen Sie die Menüoption **Formatieren.**
6. Wählen Sie **Ja**, um die CF-Karte zu formatieren. Durch die Formatierung werden sämtliche Daten auf der CF-Karte gelöscht.

## Kapazität der CompactFlash-Karte

Die folgenden Angaben beziehen sich auf die Anzahl der Dateien, die je nach Dateityp pro 1 MB CF-Kartenspeicherplatz gespeichert werden können:

- 5 Alle speichern-Aktionen (siehe *Datenspeicherung mit der Taste DRUCKEN* auf Seite 5)
- 16 Bilddateien (die tatsächliche Speicherkapazität hängt vom ausgewählten Bildformat ab) (siehe *Bildschirmdarstellung als Datei speichern* auf Seite 7)

- 250 Dateien mit Oszilloskopeinstellungen (.set) (siehe *Oszilloskopeinstellungen speichern* auf Seite 8)
- 18 Signaldateien (.csv) (siehe *Signaldateien speichern* auf Seite 9)

## Konventionen für die Dateiverwaltung

- Der verfügbare Speicherplatz auf der CompactFlash-Karte wird vom Oszilloskop geprüft, bevor Dateien geschrieben werden. Falls nicht mehr genügend Speicherplatz zum Speichern der Dateien vorhanden ist, wird eine Warnmeldung angezeigt.
- Der in diesem Handbuch gebrauchte Begriff „*Verzeichnis*“ steht für einen Verzeichnisort auf der CF-Karte.
- Das aktuelle Verzeichnis ist das zum Speichern oder Abrufen von Dateien verwendete Standardverzeichnis.
- Das Stammverzeichnis ist A:\.
- Beim Einschalten des Oszilloskops oder Einstecken einer CF-Karte nach dem Einschalten des Oszilloskops wird das aktuelle Verzeichnis vom Oszilloskop auf A:\ zurückgesetzt.
- Dateinamen können bis zu acht Zeichen, gefolgt von einem Punkt und der Dateinamenerweiterung mit bis zu drei Zeichen, enthalten.
- Vom Betriebssystem des PC erstellte lange Dateinamen werden mit dem vom Betriebssystem gekürzten Dateinamen angezeigt.
- Die Dateinamen werden in Großbuchstaben angegeben.

## Datenspeicherung mit der Taste DRUCKEN

Verwenden Sie das Menü Alle speichern (SPEICHERN/ABRUFEN ► Aktion = Alle speichern), um die Taste DRUCKEN auf die Durchführung einer der folgenden drei Funktionen einzustellen:

- Automatisches Abspeichern von Oszilloskopdaten in mehreren Dateien eines Verzeichnisses.
- Abspeichern des Bildschirminhalts als Datei.
- Ausdrucken des Bildschirminhalts über die eingestellte Druckerschnittstelle.

Optionen	Einstellungen oder Untermenüs	Anmerkung
Taste DRUCKEN	Speichert alles	Stellt die Taste DRUCKEN so ein, dass alle aktiven Oszilloskopdaten (Signale, Bildschirminhalt, Einstellungen) als Dateien in einem neuen Unterverzeichnis des aktuellen CF-Karten-Verzeichnisses gespeichert werden. Siehe <i>Speichert alles</i> auf Seite 6.
	Bild speichern	Stellt die Taste DRUCKEN so ein, dass der Bildschirminhalt des Oszilloskops als Datei auf der CF-Karte gespeichert wird.
	Druckt	Stellt die Taste DRUCKEN so ein, dass der Bildschirminhalt an die eingestellte Druckerschnittstelle geschickt wird.
Verzeichnis auswählen		Listet den Inhalt des aktuellen CF-Karten-Verzeichnisses auf und zeigt die folgenden Menüoptionen an.
	Verzeichnis wechseln	Siehe <i>Verwalten von Dateien und Verzeichnissen</i> auf Seite 14.
	Neues Verzeichnis	
	Zurück	Bringt Sie zurück zum Menü Alles speichern.
Info Alles speichern		Zeigt den Hilfetext zu dieser Aufgabe an.

### Wichtige Punkte

**Speichert alles.** Durch Einstellen der Taste DRUCKEN auf Speichert alles können Sie sämtliche Oszilloskopdaten auf schnelle und einfache Weise mit nur einem Tastendruck als Datei abspeichern. Wenn Sie die Taste DRUCKEN betätigen, wird ein neues Verzeichnis erstellt, in dem die folgenden Daten in Form von einzelnen Dateien gespeichert werden. Dabei werden die in der folgenden Tabelle aufgeführten aktuellen Oszilloskop- und Dateiformateinstellungen verwendet:

Quelle	Dateiname
CH(x)	FnnnnCHx.CSV, wobei nnnn eine automatisch erzeugte Ziffer ist und x für die Kanalnummer steht.
MATH	FnnnnMTH.CSV
Ref(x)	FnnnnRFx.CSV, wobei es sich bei x um den Buchstaben des Referenzspeichers handelt.
Bildschirm- darstellung	FnnnnTEK.???, wobei ??? das aktuelle Dateiformat zum Speichern von Bilddateien ist.
Einstellungen	FnnnnTEK.SET

**.CSV-Dateien.** .CSV-Dateien (durch Komma getrennter Wert) enthalten ASCII-Textzeichenfolgen, in denen die Zeit (in Bezug auf den Trigger) sowie die Spannungswerte für jeden der 2500 Signaldatenpunkte aufgeführt sind. CSV-Dateien (.csv) können in zahlreiche Tabellenkalkulationen und mathematische Analyseprogramme importiert und dort weiterverarbeitet werden.

**Bildschirmdarstellungsdateien.** Diese Bilddateien können in zahlreiche Tabellenkalkulationen und Textverarbeitungsprogramme importiert werden. Die Art der Bilddatei, die importiert werden kann, hängt vom verwendeten Programm ab.

**.SET-Dateien.** SET-Dateien enthalten ASCII-Textzeichenfolgen mit Oszilloskopeinstellungen.

## Abspeichern des Bildschirminhalts als Datei

Verwenden Sie das Menü Bild speichern (SPEICHERN/ABRUFEN ► Aktion = Bild speichern), um den Oszilloskopbildschirm in eine Standarddatei namens TEKnnnn.??? zu speichern, wobei .??? für das eingestellte Bilddateiformat steht. Bilddateien können in zahlreiche Tabellenkalkulationen und Textverarbeitungsprogramme importiert werden.

Optionen	Einstellungen oder Untermenüs	Anmerkung
Dateiformat	BMP, PCX, TIFF, RLE, EPSIMAGE	Stellt das Dateiformat der Bildschirmdateien ein.
Info Bilder speichern		Zeigt den Hilfetext zu dieser Aufgabe an.
Verzeichnis auswählen		Listet den Inhalt des aktuellen CF-Karten-Verzeichnisses auf und zeigt die folgenden Menüoptionen an.
	Verzeichnis wechseln	Siehe <i>Verwalten von Dateien und Verzeichnissen</i> auf Seite 14.
	Format	Hier wird das Format des Bildschirminhalts eingestellt, entweder Quer- oder Hochformat.
	Ink Saver Ein, Aus	Schaltet den Tintensparmodus ein bzw. aus (nur bei Farbdruckern verfügbar).
	Neues Verzeichnis	Siehe <i>Verwalten von Dateien und Verzeichnissen</i> auf Seite 14.
Speichern	Dateiname	Speichert den Bildschirminhalt unter einem automatisch erzeugten Dateinamen im aktuellen Verzeichnis der CF-Karte.

## Oszilloskopeinstellungen speichern

Verwenden Sie das Menü Setup speichern (SPEICHERN/ABRUFEN ▶ Aktion = Setup speichern), um die aktuellen Oszilloskopeinstellungen unter dem Dateinamen TEKnmmn.SET im angegebenen Verzeichnis oder im nichtflüchtigen Setup-Speicher zu speichern. Die Einstellungsdatei enthält ASCII-Textzeichenfolgen mit den Oszilloskopeinstellungen.

Optionen	Einstellungen oder Untermenüs	Anmerkung
Speichern in	Setup	Legt fest, dass die aktuellen Oszilloskopeinstellungen im nichtflüchtigen Setup-Speicher gespeichert werden.
	Datei	Speichert die aktuellen Oszilloskopeinstellungen als Datei auf der CF-Karte.
Setup	1 bis 10	Sichert die Daten im nicht-flüchtigen Setup-Speicher.
Verzeichnis auswählen		Listet den Inhalt des aktuellen CF-Karten-Verzeichnisses auf und zeigt die folgenden Menüoptionen an.
	Verzeichnis wechseln	Siehe <i>Verwalten von Dateien und Verzeichnissen</i> auf Seite 14.
	Neues Verzeichnis	Bringt Sie zurück zum Menü Alles speichern.
Speichern		Sichert die Einstellungen am angegebenen Setup-Speicherort.
	Dateiname	Speichert die Einstellungen unter einem automatisch erzeugten Dateinamen im aktuellen Verzeichnis der CF-Karte.

## Signaldateien speichern

Verwenden Sie das Menü Sig. speichern (SPEICHERN/ABRUFEN ► Aktion = Sig. speichern), um das ausgewählte Signal als TEKnnnn.CSV-Datei oder im Referenzspeicher zu speichern. Signaldateien werden vom Modul als Dateien im .csv-Format (durch Komma getrennte Werte) gespeichert. Hierbei handelt es sich um eine ASCII-Textzeichenfolge, in der die Zeit (in Bezug auf den Trigger) sowie die Spannungswerte für jeden der 2500 Signaldateienpunkte aufgeführt ist. CSV-Dateien (.csv) können in zahlreiche Tabellenkalkulationen und mathematische Analyseprogramme importiert und dort weiterverarbeitet werden.

Optionen	Einstellungen oder Untermenüs	Anmerkung
Speichern in	Datei	Speichert die Quellensignaldateien als Datei auf der CF-Karte.
	Ref	Speichert die Quellensignaldateien im Referenzspeicher.
Quelle	CH(x), Ref(x), MATH	Legt fest, welches Quellensignal gespeichert werden soll.
Speichern in	Ref(x)	Bestimmt den Speicherort im Referenzspeicher, an dem das Quellensignal abgelegt wird.
Verzeichnis auswählen		Listet den Inhalt des aktuellen CF-Karten-Verzeichnisses auf und zeigt die folgenden Menüoptionen an.
	Verzeichnis wechseln	Siehe <i>Verwalten von Dateien und Verzeichnissen</i> auf Seite 14.
	Neues Verzeichnis	
Speichern		Speichert das Signal im angegebenen Referenzspeicher.
	Dateiname	Speichert die Signaldateien unter dem automatisch erzeugten Dateinamen im aktuellen Verzeichnis der CF-Karte.

## Oszilloskopeinstellungen abrufen

Verwenden Sie das Menü Setup abrufen (SPEICHERN/ABRUFEN ► Aktion = Setup abrufen), um die Daten für die Oszilloskopeinstellung von einer Datei oder von einem Speicherort abzurufen.

Optionen	Einstellungen oder Untermenüs	Anmerkung
Abrufen von	Setup	Ruft Oszilloskopeinstellungen aus dem nicht-flüchtigen Speicher ab.
	Datei	Legt fest, dass die Oszilloskopeinstellungen von einer Datei auf der CF-Karte abgerufen werden.
Setup	1 bis 10	Gibt den nicht-flüchtigen Speicherort an, von dem die Oszilloskopeinstellungen abgerufen werden.
Verzeichnis auswählen		Listet den Inhalt des aktuellen CF-Karten-Verzeichnisses auf, aus dem eine Datei ausgewählt werden kann, und zeigt die folgende Menüoption an.
	Verzeichnis wechseln	Siehe <i>Verwalten von Dateien und Verzeichnissen</i> auf Seite 14.
Abrufen		Ruft die Einstellungen aus dem nicht-flüchtigen Speicher ab.
	Dateiname	Ruft die Einstellungen aus der angegebenen Datei auf der CF-Karte ab.

## Signaldateien abrufen

Verwenden Sie das Menü Sig. abrufen (SPEICHERN/ABRUFEN ► Aktion = Sig. abrufen), um Signaldateien von einer CF-Karten-Datei in den angegebenen Referenzspeicher zu laden.

Optionen	Einstellungen oder Untermenüs	Anmerkung
In	Ref(x)	Bestimmt den Speicherort im Referenzspeicher, in den die Signaldateien geladen werden.
Verzeichnis auswählen		Listet den Inhalt des aktuellen CF-Karten-Verzeichnisses auf, aus dem eine Datei ausgewählt werden kann, und zeigt die folgenden Menüoptionen an.
	Verzeichnis wechseln	Siehe <i>Verwalten von Dateien und Verzeichnissen</i> auf Seite 14.
	In Ref(x)	Bestimmt den Speicherort im Referenzspeicher, in den die Signaldateien geladen werden.
Abrufen	Dateiname	Lädt die Signaldateien von der angegebenen Datei in den Referenzspeicher.

## Referenzsignale anzeigen

Verwenden Sie das Menü Ref. anzeigen (SPEICHERN/ABRUFEN ► Aktion = Ref. anzeigen), um die Anzeige des angegebenen Referenzspeichersignals ein- bzw. auszuschalten.

Optionen	Einstellungen oder Untermenüs	Anmerkung
Ref(x)	Ein, Aus	Schaltet die Anzeige des angegebenen Referenzspeichersignals ein oder aus.

## Druckeroptionen einstellen

Verwenden Sie das Menü Drucker einrichten (DIENSTPGM. ▶ Optionen ▶ Drucker einrichten), um das Dateiformat und die Anschlusseinstellungen für den Drucker festzulegen.

Optionen	Einstellungen oder Untermenüs	Anmerkung
Taste Drucken		Auf Seite 5 finden Sie weitere Informationen zum Einstellen der Taste DRUCKEN.
Druckeranschluss	Centronics, RS-232	Die zum Anschluss des Oszilloskops an einen Drucker verwendete Kommunikationsschnittstelle.
Druckerformat	Thinkjet, Deskjet, Laser Jet, Bubble Jet, Epson Dot, DPU411, DPU412, DPU3445, Epson C60, Epson C80, BMP, PCX, TIFF, RLE, EPSIMAGE	Druckertyp, der an die Kommunikationsschnittstelle angeschlossen wird. Diese Menüoption ist aktiv, wenn die Taste DRUCKEN auf Druckt eingestellt wurde.
Dateiformat	BMP, PCX, TIFF, RLE, EPSIMAGE	Gibt an, welches Bilddateiformat verwendet wird. Diese Menüoption ist aktiv, wenn die Taste DRUCKEN auf Bild speichern eingestellt wurde.
Format	Hochformat, Querformat	Legt die Seitenausrichtung des bedruckten Mediums fest.
Ink Saver*	Ein, Aus	Schaltet die Tintensparfunktion ein oder aus, mit der der Oszilloskopbildschirm als schwarzes Bild auf weißem Hintergrund gedruckt wird. Nur bei Oszilloskopen der Serie TDS2000 verfügbar.
Druckvorgang abrechnen		Die Datenübertragung an den Drucker wird abgebrochen.

## Datum und Uhrzeit einstellen

Verwenden Sie das Menü Datum und Uhrzeit einstellen (DIENSTPGM. ▶ Optionen ▶ Datum und Uhrzeit einstellen), um das Datum und die Uhrzeit des Moduls einzustellen. Diese Angaben werden vom Modul zur Zeitmarkierung der auf der Karte gespeicherten Dateien genutzt. Das Modul enthält eine eingebaute, nicht austauschbare Batterie zur Speicherung der Uhreinstellung.

Optionen	Einstellungen	Anmerkung
↑ ↓		Bewegt die Markierung zur Auswahl von Feldern nach oben bzw. unten durch die Liste. Drehen Sie den Knopf TRIGGERPEGEL, um den Wert des ausgewählten Feldes zu ändern.
Datum und Uhrzeit einstellen		Das Modul wird mit den angegebenen Datums- und Uhrzeiteinstellungen aktualisiert.
Abbrechen		Schließt das Menü und kehrt zum vorherigen Menü zurück, ohne die vorgenommenen Änderungen zu speichern.

### Wichtige Punkte

**Jahreszeitbedingte Zeitänderungen.** Bei jahreszeitbedingten Zeitänderungen werden Uhr und Kalender des Moduls nicht automatisch umgestellt. Schaltjahre allerdings werden berücksichtigt.

## Verwalten von Dateien und Verzeichnissen

Verwenden Sie das Menü Datei Dienstprogr. (DIENSTPGM. ▶ Datei Dienstprogr.), um folgende Aktionen durchzuführen:

- Den Inhalt des aktuellen Verzeichnisses auflisten.
- Eine Datei oder ein Verzeichnis auswählen.
- In andere Verzeichnisse zu gelangen.
- Dateien und Verzeichnisse erstellen, umbenennen und löschen.
- Die CompactFlash-Karte formatieren.

Optionen	Anmerkung
Verzeichnis wechseln	Bringt Sie zu dem ausgewählten Verzeichnis auf der CF-Karte. Zur Auswahl einer Datei oder eines Verzeichnisses verwenden Sie den Drehknopf HORIZONTAL POSITION und drücken anschließend die Menüoption Verzeichnis wechseln, um zum ausgewählten Verzeichnis zu gelangen.
Neues Verzeichnis	Um wieder in das vorherige Verzeichnis zurückzukehren, wählen Sie das übergeordnete Verzeichnis an und drücken die Menüoption Verzeichnis wechseln. Erstellt am aktuellen Verzeichnisort der CF-Karte ein neues Verzeichnis namens NEW_FOL, und zeigt das Menü Umbenennen zum Ändern des Standardnamens an.
Löschen (Dateiname/ Verzeichnis)	Löscht die gewählte Datei bzw. das angegebene Verzeichnis. Das Verzeichnis muss leer sein, damit es gelöscht werden kann.
Löschen bestätigen	Diese Meldung erscheint nach Betätigung der Taste Löschen, um den Löschvorgang zu bestätigen. Falls eine andere Taste oder ein anderer Knopf gedrückt wird als Löschen bestätigen, wird der Löschvorgang abgebrochen.
Umbenennen	Ruft den Umbenennungsbildschirm auf, in dem Verzeichnisse oder Dateien umbenannt werden können; siehe <i>Umbenennen von Dateien und Verzeichnissen</i> auf Seite 15.

Optionen	Einstellungen	Anmerkung
Formatieren	Ja, Nein	Formatiert die CompactFlash-Karte. Durch die Formatierung werden sämtliche Daten auf der Karte gelöscht.

## Umbenennen von Dateien und Verzeichnissen

Verwenden Sie den Bildschirm Umbenennen (DIENSTPGM. ▶ Datei Dienstprogr. ▶ Umbenennen), um die Namen von Dateien und Verzeichnissen auf der CompactFlash-Karte zu ändern.

Optionen	Einstellungen oder Untermenüs	Anmerkung
Zeichen eingeben	A - Z 0 - 9 - .	Gibt das markierte alphanumerische Zeichen an der Cursorposition des aktuellen Namensfeldes ein.  Verwenden Sie den Drehknopf HORIZONTAL POSITION, um ein alphanumerisches Zeichen einzugeben oder die Funktion Rücktaste, Zeichen löschen oder Namen löschen auszuwählen.
	Rücktaste	Die Option der Menütaste 1 wird auf die Rücktastenfunktion umgestellt. Dadurch wird das Zeichen links neben dem markierten Zeichen im Namensfeld gelöscht.
	Zeichen löschen	Die Option der Menütaste 1 wird auf die Funktion Zeichen löschen umgestellt. Das markierte Zeichen wird aus dem Namensfeld gelöscht.
	Namen löschen	Die Option der Menütaste 1 wird auf die Funktion Namen löschen umgestellt. Alle Zeichen werden aus dem Namensfeld gelöscht.

Optionen	Einstellungen oder Untermenüs	Anmerkung
← →		Bewegt den Cursor im Namensfeld jeweils um eine Position nach links oder rechts.
OK		Ändert den Namen des Verzeichnisses oder der Datei auf den im Namensfeld angegebenen Namen.
Abbrechen		Die Umbenennungsaktion wird abgebrochen (d.h. der Name des Verzeichnisses oder der Datei wird beibehalten), und Sie gelangen zurück ins vorherige Menü.

### Verwendung von Programmierbefehlen über die RS-232-Schnittstelle

Informationen zur Steuerung der TDS2MEM- oder Oszilloskopfunktionen über RS-232 finden Sie im Kapitel *Kommunikationsmodul TDS2CMA im Benutzerhandbuch für das Digitalspeicher-Oszilloskop der Serie TDS1000 bzw. TDS2000*. Informationen zur Befehlssyntax finden Sie in der *Programmieranleitung des Digitalspeicher-Oszilloskops TDS1000 bzw. TDS2000* (Tektronix-Teilenummer 071-1075-01 oder höher).

### Verwendung des CompactFlash-Kartenlesers

Zur Installation, Konfiguration und Verwendung des CF-Kartenlesers am USB-Anschluss Ihres PCs schlagen Sie bitte in der mitgelieferten Dokumentation für den CF-Kartenleser nach. Um den CF-Kartenleser zu benutzen, müssen gegebenenfalls USB-Treiber installiert werden.

Tektronix gewährt eine Garantie von drei (3) Monaten auf die beigefügte CF-Karte und den CF-Kartenleser. Konkrete Garantiehinweise finden Sie auf der Vorderseite dieses Dokuments. Nach Ablauf der dreimonatigen Tektronix-Garantiezeit wenden Sie sich für Garantie oder Service-Support bitte an den jeweiligen Hersteller dieser Artikel.

# **Manuale dell'utente**



## **Modulo di comunicazione e di memoria di archiviazione TDS2MEM**

**071-1262-00**

Questo documento supporta il firmware versione FV:v6.00  
e successivo.

**[www.tektronix.com](http://www.tektronix.com)**

Copyright © Tektronix, Inc. Tutti i diritti riservati.

I prodotti Tektronix sono coperti dai brevetti statunitensi e stranieri, concessi e in corso di concessione. Le informazioni contenute in questa pubblicazione sostituiscono quelle contenute nel materiale pubblicato in precedenza. L'azienda si riserva il diritto di modificare le specifiche e i prezzi.

Tektronix, Inc., P.O. Box 500, Beaverton, OR 97077, USA

TEKTRONIX e TEK sono marchi registrati di Tektronix, Inc.

CompactFlash è un marchio registrato di CompactFlash Association.

## **RIEPILOGO DELLA GARANZIA TDS2MEM**

Tektronix garantisce che quanto produce e vende non presenterà difetti nei materiali e nella fabbricazione per un periodo di tre (3) anni dalla data di spedizione da parte di un distributore Tektronix autorizzato. Se un prodotto o un CRT (tubo a raggi catodici) si rivela difettoso prima della suddetta scadenza, Tektronix provvederà alla riparazione o alla sostituzione secondo quanto descritto nel testo completo della garanzia.

Per ottenere assistenza o una copia del testo completo della garanzia, contattare l'ufficio vendite o il centro di servizio Tektronix più vicino.

**SALVO QUANTO ENUNCIATO IN QUESTO RIEPILOGO O NEL TESTO COMPLETO DELLA GARANZIA, TEKTRONIX NON CONCEDE GARANZIA DI ALCUN TIPO, ESPLICITA O IMPLICITA, INCLUDENDO, A TITOLO PURAMENTE ESEMPLIFICATIVO, LE GARANZIE IMPLICITE DI COMMERCIALIZZABILITÀ O IDONEITÀ AD UNO SCOPO PARTICOLARE. IN NESSUN CASO, TEKTRONIX POTRÀ ESSERE RITENUTA RESPONSABILE DI DANNI CONSEGUENZIALI, SPECIALI O INDIRETTI.**

## **GARANZIA**

### **Scheda CompactFlash e lettore CompactFlash**

Tektronix garantisce che le parti, gli assemblaggi e le forniture (“prodotti”) prodotti e venduti non presenteranno difetti nei materiali e nella fabbricazione per un periodo di tre (3) mesi dalla data di spedizione. Se un prodotto risulta essere difettoso durante il periodo di garanzia, Tektronix può, a suo arbitrio, riparare il prodotto difettoso senza addebitare alcun costo per le parti o la manodopera oppure sostituirlo interamente.

Per richiedere assistenza nel periodo di garanzia, il Cliente deve rendere noto il difetto a Tektronix prima della scadenza del periodo di garanzia ed effettuare le opportune operazioni per consentire l'esecuzione delle operazioni di servizio. Il Cliente è responsabile dell'imballaggio e della spedizione del prodotto difettoso al centro servizi indicato da Tektronix, con spese di spedizione prepagate. Tektronix pagherà le spese per la restituzione del prodotto al Cliente se la spedizione deve essere effettuata all'interno del paese in cui è situato il centro di servizio Tektronix. Al Cliente verranno addebitate le spese di spedizione, le imposte, le tasse e ogni altra spesa relativa ai prodotti restituiti in ogni altra località.

Questa garanzia non copre i difetti, i guasti o i danni causati da un uso improprio o da una manutenzione inadeguata. Tektronix non è obbligato a fornire assistenza sotto questa garanzia a) per riparare danni risultanti dal tentativo di installare, riparare o fornire servizio al prodotto da parte di personale non Tektronix; b) per riparare i danni risultanti da un uso improprio o dalla connessione ad apparecchiature non compatibili; c) per riparare danni o malfunzionamenti causati dall'utilizzo di forniture non Tektronix oppure d) per un prodotto che è stato modificato o integrato ad altri prodotti qualora il risultato di tali modifiche o integrazioni aumenti il tempo o la difficoltà nel fornire tale assistenza.

**QUESTA GARANZIA VIENE FORNITA DA TEKTRONIX IN SOSTITUZIONE DI OGNI ALTRA GARANZIA, ESPLICITA O IMPLICITA. TEKTRONIX E I SUOI FORNITORI ESCLUDONO QUALSIASI GARANZIA IMPLICITA DI COMMERCIALIZZABILITÀ O IDONEITÀ AD UNO SCOPO PARTICOLARE. LA RESPONSABILITÀ DI TEKTRONIX DI RIPARARE O SOSTITUIRE I PRODOTTI DIFETTOSI È L'UNICO ED ESCLUSIVO RIMEDIO FORNITO AL CLIENTE PER LA VIOLAZIONE DI QUESTA GARANZIA. TEKTRONIX E I SUOI FORNITORI NON SONO RITENUTI RESPONSABILI DI DANNI INDIRETTI, SPECIALI, ACCIDENTALI O CONSEGUENZIALI A PRESCINDERE DAL FATTO CHE TEKTRONIX O IL FORNITORE ABBIANO RESO NOTA ANTICIPATAMENTE LA POSSIBILITÀ DI TALI DANNI.**

# Norme di sicurezza generali

Leggere le seguenti norme di sicurezza generali per evitare lesioni personali e prevenire danni al prodotto o ad eventuali altri prodotti ad esso connessi.

Per evitare possibili danni, utilizzare questo prodotto unicamente nel modo in cui viene specificato.

*Solo il personale qualificato è autorizzato ad eseguire le procedure di manutenzione.*

## Prevenzioni degli incendi o lesioni personali

**Messa a terra del prodotto.** Questo prodotto utilizza indirettamente il conduttore di messa a terra del cavo di alimentazione del mainframe. Per evitare scosse elettriche, il conduttore di messa a terra deve essere connesso alla presa di terra. Prima di connettere i terminali di entrata o uscita del prodotto, accertarsi che il prodotto sia connesso a terra nel modo corretto.

**Osservare i valori del terminale.** Per evitare incendi o scosse elettriche, osservare i valori e i contrassegni apposti sul prodotto. Consultare il manuale del prodotto per ulteriori informazioni prima di effettuare la connessione al prodotto.

Il terminale comune è a potenziale di massa. Non connettere il terminale comune a tensioni elevate.

**Non mettere in funzione il prodotto senza i coperchi.** Non mettere in funzione il prodotto se i coperchi o i pannelli sono stati rimossi.

**Evitare di toccare i circuiti esposti.** Non toccare le connessioni e i componenti esposti in presenza di corrente.

**Non utilizzare il prodotto se si sospetta la presenza di malfunzionamenti.** Se si sospetta la presenza di un malfunzionamento, richiedere l'intervento di personale di assistenza qualificato.

**Non mettere in funzione il prodotto in presenza di acqua o umidità.**

**Non mettere in funzione il prodotto in un'atmosfera esplosiva.**

**Mantenere le superfici del prodotto asciutte e pulite.**

### Simboli e termini

**Termini utilizzati in questo manuale.** Nel manuale possono essere utilizzati i termini di seguito elencati:



**AVVERTIMENTO.** *I messaggi di avvertimento identificano condizioni o operazioni che possono provocare lesioni o danni letali.*

---



**ATTENZIONE.** *I messaggi di cautela identificano condizioni o operazioni che possono provocare danni al prodotto o ad altre proprietà.*

---

**Termini riportati sul prodotto.** Sul prodotto possono essere riportati i seguenti termini:

DANGER indica un rischio di lesioni imminente nel momento in cui si legge tale messaggio.

WARNING indica un rischio di lesioni non imminente nel momento in cui si legge tale messaggio.

CAUTION indica un rischio per la proprietà, incluso il prodotto.

**Simboli presenti sul prodotto.** Sul prodotto possono essere presenti i simboli di seguito elencati:



ATTENZIONE  
Consultare il manuale



Terminale protezione  
messa a terra

### Riciclaggio delle batterie

Questo prodotto contiene una batteria al litio non sostituibile. Smaltire la batteria attenendosi alle normative locali.

# Contattare Tektronix

<b>Telefono</b>	1-800-833-9200*
<b>Indirizzo</b>	Tektronix, Inc. Ufficio o nominativo (se conosciuto) 14200 SW Karl Braun Drive P.O. Box 500 Beaverton, OR 97077 USA
<b>Sito Web</b>	<a href="http://www.tektronix.com">www.tektronix.com</a>
<b>Assistenza vendite</b>	1-800-833-9200, scegliere l'opzione 1*
<b>Servizio di assistenza</b>	1-800-833-9200, scegliere l'opzione 1*
<b>Assistenza tecnica</b>	Email: <a href="mailto:techsupport@tektronix.com">techsupport@tektronix.com</a> 1-800-833-9200, selezionare l'opzione 3* dalle 6.00 alle 17.00, ora del Pacifico

---

\* Nel Nord America questo è un numero verde. Lasciare un messaggio qualora si telefoni dopo l'orario di ufficio. Per i clienti residenti al di fuori del Nord America, contattare un ufficio vendite o un distributore Tektronix; consultare il sito Web di Tektronix per avere un elenco degli uffici a cui rivolgersi.



# Utilizzo del modulo di comunicazione e di memoria di archiviazione TDS2MEM

Il modulo di comunicazione e di memoria di archiviazione TDS2MEM fornisce all'oscilloscopio serie TDS1000 o TDS2000 schede di memoria CompactFlash (CF) tipo 1 rimovibile, funzionalità di programmazione a distanza RS-232 e connettività di uscita per stampanti RS-232 e Centronics.

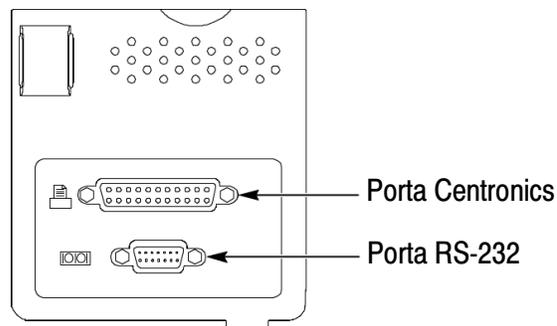
---

**NOTA.** *Questo modulo non è compatibile con gli oscilloscopi serie TDS200.*

---

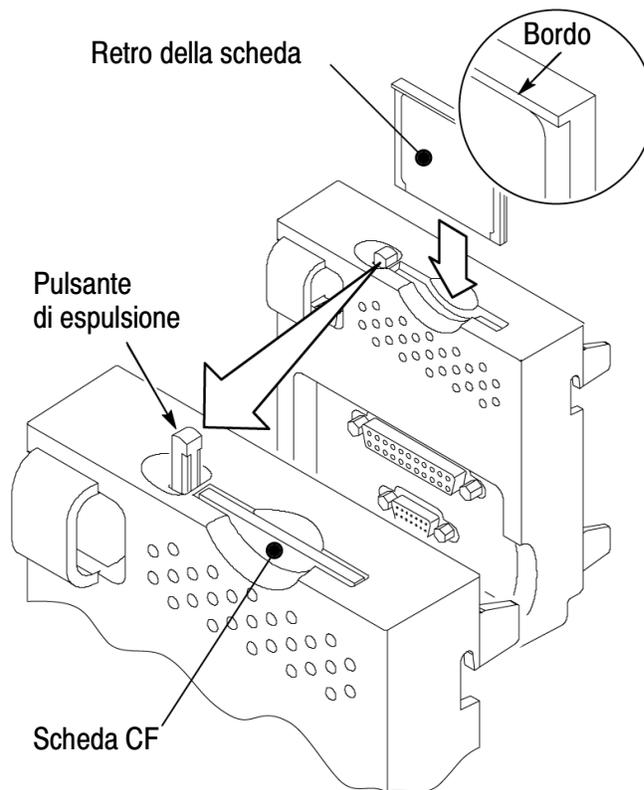
## Installazione del modulo

Per istruzioni relative all'installazione del modulo, vedere la scheda *TDS200-, TDS1000- and TDS2000-Series Extension Module Installation (Installazione del modulo di estensione TDS200, TDS1000 e TDS2000)*. Nella figura seguente sono illustrate le porte di uscita del modulo TDS2MEM.



## Installazione e rimozione della scheda CompactFlash

Inserire una scheda CompactFlash tipo 1 nello slot e farla aderire al telaio del modulo, come illustrato di seguito. La scheda CF può essere inserita in un solo modo. Se non scorre facilmente in posizione, rimuoverla e reinserirla correttamente.



Per rimuovere la scheda CompactFlash, premere e rilasciare il pulsante di espulsione finché questo non si estende completamente, quindi premerlo nuovamente per estrarre la scheda CF dallo slot. Estrarre la scheda CF dallo slot del modulo.

## Tempo di lettura iniziale della scheda CompactFlash

Il modulo TDS2MEM legge la struttura interna di una scheda CF ogni volta che viene inserita una scheda CF. Il tempo necessario per completare la lettura dipende dalle dimensioni della scheda CF e dal modo in cui è stata formattata. Per ridurre in modo considerevole il tempo di lettura iniziale delle schede CF da 64 MB o di dimensioni maggiori utilizzate nel modulo TDS2MEM, formattare la scheda CF mediante la funzione di formattazione TDS2MEM (UTILITY ► Utility ► Formato).

## Formattazione di una scheda CompactFlash

1. Inserire una scheda CF nel modulo.
2. Premere il pulsante **UTILITY** del pannello anteriore.
3. Selezionare l'opzione di menu **Utility**.
4. Selezionare l'opzione di menu **Altro** per visualizzare la seconda pagina dei menu.
5. Selezionare l'opzione di menu **Formato**.
6. Selezionare l'opzione di menu **Sì** per formattare la scheda CF. La formattazione comporta l'eliminazione di tutti i dati presenti sulla scheda CF.

## Capacità della scheda CompactFlash

Di seguito è indicato il numero approssimativo di file, per tipo, memorizzabile per 1 MB di memoria della scheda CF.

- 5 operazioni Salva tutto. Vedere *Salvataggio di informazioni mediante il pulsante STAMPA* a pagina 5.
- 16 file di immagine dello schermo (la capacità effettiva dipende dal formato delle immagini selezionato). Vedere *Salvataggio su file di un'immagine dello schermo* a pagina 7.

- 250 file di impostazioni dell'oscilloscopio (set). Vedere *Salvataggio delle impostazioni dell'oscilloscopio* a pagina 8.
- 18 file di forma d'onda (csv). Vedere *Salvataggio di file di forma d'onda* a pagina 9.

## Convenzioni relative alla gestione dei file

- Prima di scrivere file, l'oscilloscopio calcola lo spazio disponibile sulla scheda CompactFlash, quindi visualizza un messaggio di avvertimento se la memoria disponibile non è sufficiente.
- Il termine *cartella*, così come impiegato in questo manuale, fa riferimento a un percorso di directory sulla scheda CF.
- La cartella corrente è data dal percorso predefinito da cui si richiamano o in cui si salvano i file.
- La cartella principale è A:\.
- L'oscilloscopio reimposta la cartella corrente su A:\ quando viene acceso lo strumento o quando viene inserita una scheda CF dopo l'accensione dell'oscilloscopio.
- I nomi dei file possono contenere da uno a otto caratteri massimo seguiti da un punto e presentano un'estensione composta da uno a tre caratteri.
- I nomi di file lunghi creati su sistemi operativi per PC vengono visualizzati con il nome di file abbreviato del sistema operativo.
- I nomi dei file sono riportati in lettere maiuscole.

## Salvataggio di informazioni mediante il pulsante STAMPA

Utilizzare il menu Salva tutto (SALVA/RICHIAMA ► Azione = Salva tutto) per impostare il pulsante STAMPA per l'esecuzione di una delle tre funzioni elencate di seguito:

- Salvataggio automatico delle informazioni relative all'oscilloscopio su più file in una cartella.
- Salvataggio su file dell'immagine dello schermo.
- Stampa dell'immagine dello schermo sulla porta della stampante corrente.

Opzioni	Impostazioni o sottomenu	Commenti
Pulsante Stampa	Salva tutto su file	Il pulsante Stampa salva tutte le informazioni attive relative all'oscilloscopio (forme d'onda, immagine dello schermo, impostazioni) su file contenuti in una nuova sottocartella della cartella corrente della scheda CF. Vedere <i>Salva tutto su file</i> a pagina 6.
	Salva immagine su file	Il pulsante Stampa invia l'immagine dello schermo a un file presente sulla scheda CF.
	Stampante	Il pulsante Stampa invia l'immagine dello schermo alla porta della stampante corrente.
Seleziona cartella		Elenca il contenuto della cartella corrente della scheda CF e visualizza gli elementi di menu elencati di seguito.
	Modifica cartella	Vedere <i>Gestione di file e cartelle</i> a pagina 14.
	Nuova cartella	
	Indietro	Torna al menu Salva tutto.
Info su Salva tutto		Visualizza il testo della Guida relativo a questa operazione.

### Punti chiave

**Salva tutto su file.** L'impostazione del pulsante Stampa su Salva tutto su file è un modo semplice e rapido di salvare su file tutte le informazioni correnti relative all'oscilloscopio con la pressione di un solo pulsante. Premendo il pulsante STAMPA si crea una nuova cartella e si salvano le seguenti informazioni in file separati in questa nuova cartella utilizzando le impostazioni correnti relative allo strumento e al formato dei file, come elencato nella seguente tabella:

Sorgente	Nome file
CH(x)	FnnnnCHx.CSV, dove nnnn è un numero generato automaticamente e x è il numero di canale.
MATEM.	FnnnnMTH.CSV
Ref(x)	FnnnnRFx.CSV, dove x è la lettera della memoria di riferimento.
Immagine dello schermo	FnnnnTEK.???, dove ??? è il formato di file corrente per Salva immagine.
Impostazioni	FnnnnTEK.SET

**File CSV.** I file .CSV (file delimitati da virgole) contengono una stringa di testo ASCII che elenca i valori di tempo (relativo al trigger) e di tensione per ognuno dei 2500 punti dati della forma d'onda. È possibile importare file csv in molte applicazioni di analisi matematica e di foglio di calcolo.

**File di immagine dello schermo.** È possibile importare file di immagine dello schermo in molte applicazioni di elaborazione di testo e di foglio di calcolo. Il tipo di file di immagine che è possibile importare dipende dall'applicazione in uso.

**File SET.** I file SET contengono una stringa di testo ASCII che elenca le impostazioni dell'oscilloscopio.

## Salvataggio su file di un'immagine dello schermo

Utilizzare il menu Salva immagine (SALVA/RICHIAMA ► Azione = Salva immagine) per salvare l'immagine dello schermo dell'oscilloscopio in un file predefinito denominato TEKnnnn.???, dove .??? è il formato del file di immagine specificato. È possibile importare file di immagine dello schermo in molte applicazioni di elaborazione di testo e di foglio di calcolo.

Opzioni	Impostazioni o sottomenu	Commenti
Formato file	BMP, PCX, TIFF, RLE, EPSIMAGE	Imposta il formato del file dell'immagine dello schermo.
Info sul salvataggio delle immagini		Visualizza il testo della Guida relativo a questa operazione.
Seleziona cartella		Elenca il contenuto della cartella corrente della scheda CF e visualizza gli elementi di menu elencati di seguito.
	Modifica cartella	Vedere <i>Gestione di file e cartelle</i> a pagina 14.
	Orientamento	Selezionare l'orientamento verticale o orizzontale per l'immagine.
	Risparmio di inchiostro On, Off	Consente di attivare e disattivare la modalità Risparmio di inchiostro (solo per i modelli a colori).
	Nuova cartella	Vedere <i>Gestione di file e cartelle</i> a pagina 14.
Salva	nome file	Salva l'immagine dello schermo nel nome del file generato automaticamente nella cartella corrente della scheda CF.

## Salvataggio delle impostazioni dell'oscilloscopio

Utilizzare il menu Salva set up (SALVA/RICHIAMA ► Azione = Salva set up) per salvare le impostazioni correnti dell'oscilloscopio nel file denominato TEKnnnn.SET nella cartella specificata o nella memoria non volatile delle impostazioni. Un file di impostazioni contiene una stringa di testo ASCII che elenca le impostazioni dell'oscilloscopio.

Opzioni	Impostazioni o sottomenu	Commenti
Salva in	Memoria di set up	Specifica il salvataggio delle impostazioni correnti dell'oscilloscopio nella memoria non volatile delle impostazioni.
	File	Specifica il salvataggio delle impostazioni correnti dell'oscilloscopio in un file sulla scheda CF.
Memoria di set up	Da 1 a 10	Specifica la posizione della memoria non volatile delle impostazioni.
Seleziona cartella		Elenca il contenuto della cartella corrente della scheda CF e visualizza gli elementi di menu elencati di seguito.
	Modifica cartella	Vedere <i>Gestione di file e cartelle</i> a pagina 14.
	Nuova cartella	Torna al menu Salva tutto.
Salva		Salva le impostazioni nella posizione specificata della memoria delle impostazioni.
	nome file	Salva le impostazioni nel nome del file generato automaticamente nella cartella corrente della scheda CF.

## Salvataggio di file di forma d'onda

Utilizzare il menu Sal. f. d'onda (SALVA/RICHIAMA ► Azione = Sal. f.d'onda) per salvare la forma d'onda specificata nel file denominato TEKnnnn.CSV o nella memoria di riferimento. I dati della forma d'onda vengono salvati in file con valori separati da virgola (formato csv), vale a dire una stringa di testo ASCII in cui sono elencati i valori di tempo (relativo al trigger) e di tensione per ognuno dei 2500 punti dati della forma d'onda. È possibile importare file csv in molte applicazioni di analisi matematica e di foglio di calcolo.

Opzioni	Impostazioni o sottomenu	Commenti
Salva in	File	Salva i dati di forma d'onda sorgente in un file sulla scheda CF.
	Ref	Salva i dati di forma d'onda sorgente nella memoria di riferimento.
Sorgente	CH(x), Ref(x), MATEM.	Specifica quale forma d'onda sorgente salvare.
Salva in	Ref(x)	Specifica la posizione della memoria di riferimento in cui salvare la forma d'onda sorgente.
Seleziona cartella		Elenca il contenuto della cartella corrente della scheda CF e visualizza gli elementi di menu elencati di seguito.
	Modifica cartella	Vedere <i>Gestione di file e cartelle</i> a pagina 14.
	Nuova cartella	
Salva		Salva la forma d'onda nella memoria di riferimento specificata.
	nome file	Salva i dati della forma d'onda nel nome del file generato automaticamente nella cartella corrente della scheda CF.

## Richiamo delle impostazioni dell'oscilloscopio

Utilizzare il menu Richiama set up (SALVA/RICHIAMA ► Azione = Richiama set up) per caricare le informazioni di impostazione dell'oscilloscopio da un file o dalla memoria.

Opzioni	Impostazioni o sottomenu	Commenti
Richiama da	Memoria di set up	Richiama le impostazioni dell'oscilloscopio dalla memoria non volatile.
	File	Richiama le impostazioni dell'oscilloscopio da un file sulla scheda CF.
Memoria di set up	Da 1 a 10	Specifica la posizione della memoria non volatile da cui richiamare le impostazioni dell'oscilloscopio.
Seleziona cartella		Elenca il contenuto della cartella corrente della scheda CF da cui selezionare un file e visualizza l'elemento di menu riportato di seguito.
	Modifica cartella	Vedere <i>Gestione di file e cartelle</i> a pagina 14.
Richiama		Richiama le impostazioni dalla memoria non volatile.
	nome file	Richiama le impostazioni dal file specificato della scheda CF.

## Richiamo di file di forma d'onda

Utilizzare il menu Ric. f. d'onda (SALVA/RICHIAMA ► Azione = Ric. f. d'onda) per caricare i dati di forma d'onda da un file della scheda CF nella posizione della memoria di riferimento specificata.

Opzioni	Impostazioni o sottomenu	Commenti
In	Ref(x)	Specifica la posizione della memoria di riferimento in cui caricare i dati di forma d'onda.
Seleziona cartella		Elenca il contenuto della cartella corrente della scheda CF da cui selezionare un file e visualizza gli elementi di menu riportati di seguito.
	Modifica cartella	Vedere <i>Gestione di file e cartelle</i> a pagina 14.
	In Ref(x)	Specifica la posizione della memoria di riferimento in cui caricare i dati di forma d'onda.
Richiama	nome file	Carica i dati di forma d'onda dal file specificato nella memoria di riferimento.

## Visualizzazione di forme d'onda di riferimento

Utilizzare il menu Visualizza Ref. (SALVA/RICHIAMA ► Azione = Visualizza Ref.) per attivare o disattivare la visualizzazione della forma d'onda della memoria di riferimento specificata.

Opzioni	Impostazioni o sottomenu	Commenti
Ref(x)	On, Off	Attiva o disattiva la visualizzazione della forma d'onda specificata della memoria di riferimento.

## Impostazione delle opzioni della stampante

Utilizzare il menu Imposta stampante (UTILITY ► Opzioni ► Imposta stampante) per configurare le impostazioni della porta e il formato di file della stampante.

Opzioni	Impostazioni o sottomenu	Commenti
Pulsante Stampa		Per informazioni sulle impostazioni del pulsante Stampa, andare a pagina 5.
Porta di stampa	Centronics, RS-232	Porta di comunicazione utilizzata per collegare l'oscilloscopio a una stampante.
Formato stampante	Thinkjet, Deskjet, Laser Jet, Bubble Jet, Epson Dot, DPU411, DPU412, DPU3445, Epson C60, Epson C80, BMP, PCX, TIFF, RLE, EPSIMAGE	Tipo di stampante collegato alla porta di comunicazione. Questa opzione di menu è attiva se il pulsante Stampa è impostato su Stampante.
Formato file	BMP, PCX, TIFF, RLE, EPSIMAGE	Tipo di formato del file di immagine. Questa opzione di menu è attiva se il pulsante Stampa è impostato su Salva immagine su file.
Orientamento	Verticale, Orizzontale	Orientamento di stampa.
Risparmio di inchiostro*	On, Off	Attiva o disattiva la stampa dello schermo come immagine nera su sfondo bianco. Disponibile solo negli oscilloscopi serie TDS2000.
Annulla stampa		Interrompe l'invio dei dati dello schermo alla stampante.

## Impostazione di data e ora

Utilizzare il menu Imposta data e ora (UTILITY ► Opzioni ► Imposta data e ora) per impostare la data e l'ora del clock del modulo. Queste informazioni vengono utilizzate per marcare i file scritti sulla scheda con data e ora. Il modulo contiene una batteria incorporata non sostituibile per conservare le impostazioni del clock.

Opzioni	Impostazioni	Commenti
↑ ↓		Sposta il campo selezionato evidenziato verso il basso o verso l'alto nell'elenco. Utilizzare la manopola LIVELLO DI TRIGGER per modificare il valore del campo selezionato.
Imposta data e ora		Aggiorna il modulo con le impostazioni di data e ora specificate.
Annulla		Chiude il menu e torna a quello precedente senza salvare le modifiche.

### Punti chiave

**Variazioni dell'ora stagionali.** Il calendario e il clock del modulo non si adattano automaticamente alle variazioni dell'ora stagionali. Il modulo rileva invece gli anni bisestili.

## Gestione di file e cartelle

Utilizzare la funzione Utility (UTILITY ► Utility) per eseguire le operazioni elencate di seguito:

- Elencare il contenuto della cartella corrente.
- Selezionare un file o una cartella.
- Accedere ad altre cartelle.
- Creare, rinominare ed eliminare file e cartelle.
- Formattare la scheda CompactFlash.

Opzioni	Commenti
Modifica cartella	Consente di spostarsi alla cartella selezionata della scheda CF. Utilizzare la manopola POSIZIONE ORIZZONTALE per selezionare un file o una cartella, quindi scegliere l'opzione di menu Modifica cartella per spostarsi alla cartella selezionata.  Per tornare alla cartella precedente, selezionare la cartella superiore e scegliere l'opzione di menu Modifica cartella.
Nuova cartella	Consente di creare una nuova cartella denominata NEW_FOL nella scheda CF nella posizione corrente e di visualizzare il menu Rinomina per modificare il nome predefinito.
Elimina (nome file/cartella)	Consente di eliminare la cartella o il nome file selezionato. È necessario che le cartelle siano vuote per poterle eliminare.
Conferma eliminazione	Dopo aver premuto Elimina, richiede di confermare l'operazione di eliminazione del file. Premere un pulsante o una manopola qualsiasi, tranne Conferma eliminazione, per annullare l'operazione di eliminazione del file.
Rinomina	Consente di visualizzare la schermata Rinomina in cui rinominare una cartella o un file. Vedere <i>Ridenominazione di file e cartelle</i> a pagina 15.

Opzioni	Impostazioni	Commenti
Formato	Sì, No	Formatta la scheda CompactFlash. La formattazione comporta l'eliminazione di tutti i dati presenti sulla scheda CF.

## Ridenominazione di file e cartelle

Utilizzare la schermata Rinomina (UTILITY ► Utility ► Rinomina) per modificare i nomi di file e cartelle presenti sulla scheda CompactFlash.

Opzioni	Impostazioni o sottomenu	Commenti
Inserisci carattere	Dalla A alla Z Da 0 a 9 _ .	Consente di immettere il carattere alfanumerico evidenziato nella posizione corrente del cursore nel campo Nome.  Utilizzare la manopola POSIZIONE ORIZZONTALE per selezionare un carattere alfanumerico oppure le funzioni Backspace, Cancella carattere o Cancella nome.
	Backspace	Per l'opzione 1 del pulsante di menu viene impostata la funzione Backspace. Consente di eliminare il carattere a sinistra di quello evidenziato nel campo Nome.
	Cancella carattere	Per l'opzione 1 del pulsante di menu viene impostata la funzione Cancella carattere. Consente di cancellare il carattere evidenziato dal campo Nome.
	Cancella nome	Per l'opzione 1 del pulsante di menu viene impostata la funzione Cancella nome. Consente di cancellare tutti i caratteri dal campo Nome.

Opzioni	Impostazioni o sottomenu	Commenti
← →		Consente di spostare il cursore nel campo Nome a sinistra o a destra di una posizione.
OK		Il nome del file o della cartella viene modificato in quello indicato nel campo Nome.
Annulla		Consente di annullare l'operazione di ridenominazione (il nome del file o della cartella non viene modificato) e di tornare al menu precedente.

## Utilizzo dei comandi di programmazione attraverso la porta RS-232

Vedere la sezione *Modulo di comunicazione TDS2CMA* nel *Manuale dell'utente dell'oscilloscopio a memoria digitale della serie TDS1000/TDS2000* per informazioni sul controllo del modulo TDS2MEM o delle funzioni dell'oscilloscopio attraverso la porta RS-232. Vedere il *Manuale di programmazione dell'oscilloscopio a memoria digitale della serie TDS1000/TDS2000* (numero di matricola Tektronix 071-1075-01 o successivo) per informazioni sulla sintassi dei comandi.

## Utilizzo del lettore di schede CompactFlash

Fare riferimento alla documentazione allegata al lettore di schede CF per installare, configurare e utilizzare il lettore di schede CF sulla porta USB del PC. Per utilizzare il lettore di schede CF potrebbe essere necessario installare i driver USB.

La garanzia Tektronix relativa al lettore di schede CF e alla scheda CF inclusa è valida per un periodo di tre (3) mesi. Per informazioni specifiche sulla garanzia, andare all'inizio di questo documento. Contattare i rispettivi produttori per informazioni sulla garanzia o sul servizio di assistenza dopo la scadenza della garanzia Tektronix.

# Manual del usuario



## Módulo de memoria de almacenamiento y comunicaciones TDS2MEM

**071-1262-00**

Este documento admite la versión de firmware FV:v6.00  
y superior.

**[www.tektronix.com](http://www.tektronix.com)**

Copyright © Tektronix, Inc. Reservados todos los derechos.

Los productos Tektronix están protegidos por patentes de EE.UU. y de otros países, emitidas y pendientes. La información contenida en esta publicación anula la información contenida en cualquier material publicado con antelación. Se reservan los derechos de cambios en el precio y en las especificaciones.

Tektronix, Inc., P.O. Box 500, Beaverton, OR 97077, EE.UU.

TEKTRONIX y TEK son marcas comerciales registradas de Tektronix, Inc.

CompactFlash es una marca registrada de CompactFlash Association.

## **RESUMEN DE LA GARANTÍA TDS2MEM**

Tektronix garantiza que los productos que fabrica y vende están libres de defectos de material y de mano de obra por un período de tres (3) años a partir de la fecha de envío por parte de un distribuidor autorizado de Tektronix. Si el producto o el tubo TRC resultara ser defectuoso durante dicho periodo de garantía, Tektronix reparará el producto o lo sustituirá tal y como se describe en la declaración completa de garantía.

Para obtener asistencia o una copia de la declaración completa de garantía, póngase en contacto con la oficina de ventas y servicio de Tektronix más cercana.

**SALVO POR LO PREVISTO EN ESTE RESUMEN O EN LA DECLARACIÓN DE GARANTÍA RELEVANTE, TEKTRONIX NO OFRECE GARANTÍA DE NINGÚN TIPO, NI EXPRESA NI IMPLÍCITA, INCLUYENDO SIN LIMITACIONES LAS GARANTÍAS IMPLÍCITAS DE COMERCIALIZACIÓN E IDONEIDAD PARA FINES CONCRETOS. TEKTRONIX NO SERÁ, EN NINGÚN CASO, RESPONSABLE POR DAÑOS INDIRECTOS, ESPECIALES O CONSECUENCIALES.**

## **GARANTÍA**

### **Tarjeta CompactFlash y lector de CompactFlash**

Tektronix garantiza que las piezas, los componentes y los suministros (“productos”) que fabrica y vende estarán libres de defectos en el material y mano de obra por un período de tres (3) meses a partir de la fecha de envío. Si el producto resultase defectuoso durante este periodo de garantía, Tektronix, a su elección, reparará el producto defectuoso sin cargo en piezas o mano de obra, o bien sustituirá el producto defectuoso.

Para obtener el servicio previsto por esta garantía, el cliente debe notificar a Tektronix el defecto antes de la expiración del periodo de garantía y disponer lo necesario para llevar a cabo el servicio. El cliente se hará cargo de los gastos de empaquetado y envío del producto defectuoso al centro de asistencia designado por Tektronix, con los gastos de envío pagados con antelación. Tektronix pagará la devolución del producto al cliente si el envío está en una localidad situada en el país donde se encuentre el centro de servicio de Tektronix. El cliente se hará responsable del pago de todos los cargos debidos a envíos, aranceles, impuestos y cualquier otro cargo ocasionado por el envío de productos a otras localidades.

Esta garantía no se aplicará a ningún defecto o daño provocado por el uso inadecuado o por el mantenimiento y cuidados inadecuados o impropios del producto. Tektronix no tendrá la obligación de ofrecer los servicios de esta garantía a) para reparar daños provocados por los intentos de personal ajeno a los representantes de Tektronix de instalar, reparar o prestar servicio para este producto; b) para reparar daños resultantes del uso o conexión impropia a equipos no compatibles; c) para reparar cualquier daño o mal funcionamiento causado por el uso de repuestos que no sean de Tektronix ; o d) para prestar servicio en un producto que haya sido modificado o integrado con otros productos cuando el efecto de tal modificación o integración aumente el tiempo necesario o la dificultad para prestar servicio a este producto.

**TEKTRONIX EMITE ESTA GARANTÍA EN LUGAR DE CUALQUIER OTRA GARANTÍA, EXPRESA O IMPLÍCITA. TEKTRONIX Y SUS VENDEDORES RECHAZAN CUALQUIER GARANTÍA IMPLÍCITA DE MERCANTIBILIDAD O IDONEIDAD PARA UN USO CONCRETO. LA RESPONSABILIDAD DE TEKTRONIX EN LA REPARACIÓN O SUSTITUCIÓN DE PRODUCTOS DEFECTUOSOS ES EL ÚNICO Y EXCLUSIVO REMEDIO PROPORCIONADO AL CLIENTE EN EL INCUMPLIMIENTO DE ESTA GARANTÍA. TEKTRONIX Y SUS VENDEDORES NO SERÁN RESPONSABLES DE CUALQUIER DAÑO, INDIRECTO, ESPECIAL, INCIDENTAL O CONSECUENCIAL, CON INDEPENDENCIA DE SI TEKTRONIX O EL VENDEDOR CONOCÍAN PREVIAMENTE LA POSIBILIDAD DE TALES DAÑOS.**

# Resumen de seguridad general

Revise las siguientes precauciones de seguridad para evitar daños a este producto o cualquier producto conectado a él.

Para evitar peligros potenciales, use este producto sólo en la forma en que se indica.

*Los procedimientos de servicio deben ser realizados solamente por personal cualificado.*

## Para evitar incendios o daños personales

**Proporcione al producto una conexión de tierra.** Este producto se conecta a tierra indirectamente mediante el conductor de tierra del cable de alimentación. Con objeto de evitar descargas eléctricas, conecte siempre este conductor a una conexión de tierra. Antes de realizar conexiones a los terminales de entrada o salida del producto, asegúrese de que el producto tiene salida a tierra.

**Observe el régimen de todos los terminales.** A fin de evitar incendios o descargas eléctricas, observe siempre los regímenes y señalizaciones del producto. Consulte el manual del producto para obtener más información acerca de los regímenes antes de realizar conexiones.

El terminal común tiene el potencial de toma a tierra. No conecte el terminal común a voltajes elevados.

**No ponga el aparato en funcionamiento sin las cubiertas.** No ponga el aparato en funcionamiento sin las cubiertas o los paneles.

**Evite que los circuitos queden expuestos.** Evite tocar las conexiones y componentes expuestos cuando el aparato tiene corriente.

**No haga funcionar el aparato si sospecha fallas.** Si sospecha que el producto puede estar dañado, haga que lo inspeccione personal técnico cualificado.

**No haga funcionar el aparato en entornos húmedos o mojados.**

**No haga funcionar el aparato en una atmósfera explosiva.**

**Mantenga limpias y secas las superficies del producto.**

## Símbolos y terminología

**Términos que aparecen en este manual.** Los siguientes términos aparecen en el manual:



---

**ADVERTENCIA.** El término “Advertencia” identifica las condiciones o prácticas que pueden ocasionar daños o la muerte.

---



---

**PRECAUCIÓN.** El término “Precaución” identifica las condiciones o prácticas que pueden ocasionar daños a este producto o a otras propiedades.

---

**Términos que aparecen en el producto.** Los siguientes términos aparecen en el producto:

PELIGRO indica un riesgo de daños posible en el momento en que lee esta advertencia.

ADVERTENCIA indica un riesgo de daños no inmediato en el momento de leer esta advertencia.

PRECAUCIÓN indica un riesgo para la propiedad, incluido el producto.

**Símbolos que aparecen en el producto.** Los siguientes símbolos pueden aparecer en el producto:



PRECAUCIÓN  
Consulte el manual



Terminal de protección  
de toma a tierra

## Reciclaje de las baterías

Este producto contiene una batería de litio fija. Deséchela de acuerdo con la normativa local de desecho de baterías.

## Cómo contactar con Tektronix

<b>Teléfono</b>	1-800-833-9200*
<b>Dirección</b>	Tektronix, Inc. Departamento o nombre (si lo conoce) 14200 SW Karl Braun Drive P.O. Box 500 Beaverton, OR 97077 EE.UU.
<b>Sitio web</b>	<a href="http://www.tektronix.com">www.tektronix.com</a>
<b>Servicio de ventas</b>	1-800-833-9200, seleccione la opción 1*
<b>Servicio de asistencia</b>	1-800-833-9200, seleccione la opción 1*
<b>Servicio técnico</b>	Correo electrónico: <a href="mailto:techsupport@tektronix.com">techsupport@tektronix.com</a> 1-800-833-9200, seleccione la opción 3* 6:00 a.m. - 5:00 p.m. Hora del Pacífico

---

\* **Llamada gratuita dentro de Norteamérica. Si llama fuera de horas de oficina, deje un mensaje de voz. Fuera de Norteamérica, póngase en contacto con una oficina de ventas o un distribuidor de Tektronix. Para obtener una lista de las oficinas, consulte el sitio web de Tektronix.**



# Uso del módulo de memoria de almacenamiento y comunicaciones TDS2MEM

El Módulo de memoria de almacenamiento y comunicaciones TDS2MEM añade a los osciloscopios de las series TDS1000 o TDS2000 una memoria de almacenamiento a través de una tarjeta CompactFlash (CF) Tipo 1, capacidad de programación remota y conectividad a la salida de impresora a través de RS-232 y Centronics.

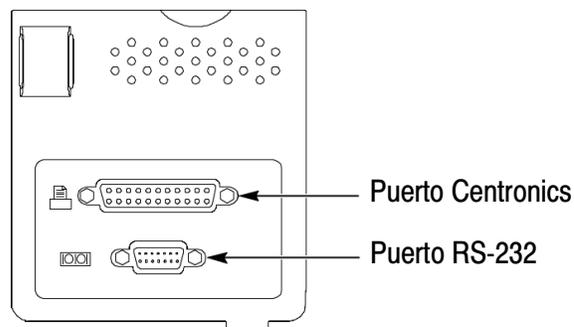
---

**NOTA.** *Este módulo no es compatible con osciloscopios de la serie TDS200.*

---

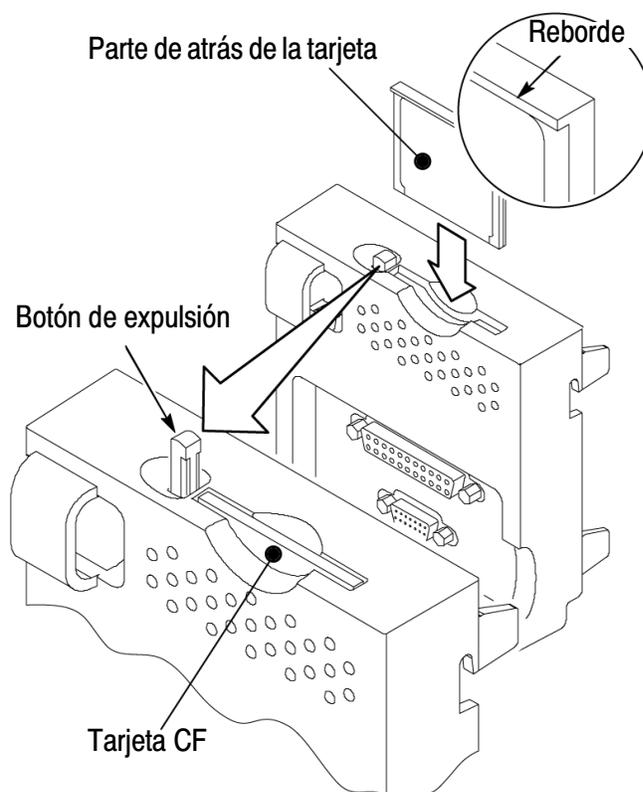
## Instalación del módulo

Para obtener las instrucciones de instalación del software consulte la hoja *Instalación del módulo de extensión de las series TDS200, TDS1000 y TDS2000*. La siguiente ilustración identifica los puertos de salida del módulo TDS2MEM.



## Instalación y extracción de la tarjeta CompactFlash

Introduzca la tarjeta CompactFlash Tipo 1 en la ranura hasta que la tarjeta quede alineada con la carcasa del módulo, como se muestra a continuación. La superficie de la tarjeta CF presenta una serie de muescas que determinan su posición de inserción. Si experimenta problemas para insertarla en la ranura, extráigala y vuelva a insertarla correctamente.



Para extraer la tarjeta CompactFlash, pulse y suelte el botón de expulsión hasta que el botón quede completamente fuera y, a continuación, vuelva a pulsarlo para liberar la tarjeta CF de la ranura. Retire la tarjeta CF de la ranura del módulo.

## Tiempo de lectura inicial de la tarjeta CompactFlash

El TDS2MEM lee la estructura interna de la tarjeta CF cada vez que inserta una tarjeta CF. El tiempo de lectura depende del tamaño de la tarjeta CF y del formato que se le haya dado. Para reducir el tiempo de lectura inicial de las tarjetas CF de 64 MB y mayores utilízalas con el módulo TDS2MEM, dé formato a la tarjeta utilizando la función de formato de TDS2MEM (UTILIDADES ► Util. archivo ► Formato).

## Formato de una tarjeta CompactFlash

1. Inserte una tarjeta CF en el módulo.
2. Pulse el botón **UTILIDADES** en el panel frontal.
3. Seleccione la opción de menú **Util. archivo**.
4. Seleccione la opción de menú **Más** para mostrar la segunda página del menú.
5. Seleccione la opción de menú **Formato**.
6. Seleccione la opción **Sí** para dar formato a la tarjeta CF. El formato elimina todos los datos de la tarjeta CF.

## Capacidad de la tarjeta CompactFlash

A continuación se ofrece una relación del número aproximado de archivos, en función del tipo, que se pueden almacenar en cada MB de la memoria de la tarjeta CF.

- 5 operaciones Guardar todo (consulte *Cómo guardar información utilizando el botón IMPRIMIR* en la página 5).
- 16 archivos de imagen de la pantalla (la capacidad real depende del formato de la imagen seleccionada) (consulte *Cómo guardar imágenes de la pantalla en un archivo* en la página 7).

- 250 archivos de configuración (.set) de osciloscopio (consulte la sección *Cómo guardar una configuración del osciloscopio* en la página 8).
- 18 archivos de forma de onda (.csv) (consulte la sección *Cómo guardar archivos de forma de onda* en la página 9).

## Convenciones de administración de archivos

- El osciloscopio busca espacio disponible en la tarjeta CompactFlash antes de escribir archivos y muestra un mensaje de advertencia si no hay suficiente memoria para los archivos que está escribiendo.
- En este manual, el término *carpeta* designa una ubicación de directorio en la tarjeta CF.
- La ubicación predeterminada de guardado o recuperación de archivos es la carpeta actual.
- La carpeta raíz es A:\.
- Al encender el instrumento o cada vez que se inserta una tarjeta CF, el osciloscopio restablece A:\ como carpeta actual.
- Los nombres de archivo pueden tener entre uno y ocho caracteres seguidos de un punto y una extensión de entre uno y tres caracteres.
- Los nombres de archivo largos creados en sistemas operativos de PC se presentan con el nombre corto del sistema operativo.
- Los nombres de archivo se escriben en mayúscula.

## Cómo guardar información utilizando el botón IMPRIMIR

Puede utilizar el menú Guardar todo (ALM/REC ► Acción = Guardar todo) para que el botón IMPRIMIR efectúe una de las tres funciones siguientes:

- Guardar la información del osciloscopio automáticamente en varios archivos de una carpeta.
- Guardar la imagen de la pantalla en un archivo.
- Imprimir la imagen de la pantalla en el puerto de impresora actual.

Opciones	Parámetros o submenús	Comentarios
Botón Imprimir	Guardar todo arch	Configura el botón de impresión para que guarde toda la información del osciloscopio activo (formas de onda, imágenes de la pantalla, configuración) en varios archivos de una subcarpeta nueva de la carpeta actual de la tarjeta CF. Consulte la sección <i>Guardar todo arch</i> en la página 6.
	Guardar imagen	Configura el botón de impresión para que envíe la imagen de la pantalla a un archivo de la tarjeta CF.
	Impresiones	Configura el botón de impresión para que envíe la imagen de la pantalla al puerto de la impresora actual.
Seleccionar carpeta		Muestra una lista con el contenido de la carpeta actual de la tarjeta CF y muestra los siguientes elementos de menú.
	Cambiar carpeta	Consulte la sección <i>Administración de archivos y carpetas</i> en la página 14.
	Nueva carp.	
	Atrás	Regresa al menú Guardar todo.
Acerca de Guardar todo		Muestra el texto de ayuda correspondiente a esta tarea.

**Puntos clave**

**Guardar todo arch.** Atribuir al botón Imprimir la función Guardar todo arch. es la forma más sencilla y rápida de guardar toda la información del osciloscopio actual en varios archivos con tan sólo pulsar un botón una única vez. Al pulsar el botón IMPRIMIR, se crea una carpeta en la que se guarda la siguiente información en archivos independientes, utilizando la configuración del instrumento actual y la configuración de formato de archivo, con arreglo a la siguiente tabla:

Fuente	Nombre de archivo
CH(x)	FnnnnCHx.CSV, donde nnnn es un número generado-automáticamente y x es el número de canal.
MATEM.	FnnnnMTH.CSV
Ref(x)	FnnnnRFx.CSV, donde x es la letra de la memoria de referencia.
Imagen de la pantalla	FnnnnTEK.???, donde ??? es el formato de archivo actual de Guardar ima.
Configuración	FnnnnTEK.SET

**Archivos .CSV.** Los archivos .CSV (valores separados por comas) contienen cadenas de texto ASCII que recoge los valores de tiempo (relativos al disparo) y voltaje de cada uno de los 2.500 puntos de datos de forma de onda. Los archivos .csv se pueden importar a multitud de aplicaciones de hoja de cálculo y análisis matemático.

**Archivos de imagen de la pantalla.** Puede importar archivos de imagen de la pantalla a multitud de aplicaciones de hoja de cálculo y procesamiento de texto. El tipo de archivo de imagen que puede importar depende de la aplicación.

**Archivos .SET.** Los archivos SET contienen una cadena de texto ASCII que recoge la configuración del osciloscopio.

## Cómo guardar una imagen de la pantalla en un archivo

Puede utilizar el menú Guardar ima (ALM/REC ► Acción = Guardar ima) para guardar la imagen de la pantalla del osciloscopio en un archivo predeterminado llamado TEKnnnn.???, donde .??? es el formato de archivo gráfico especificado. Puede importar archivos de imagen de la pantalla a multitud de aplicaciones de hoja de cálculo y procesamiento de texto.

Opciones	Parámetros o submenús	Comentarios
Formato de archivo	BMP, PCX, TIFF, RLE, EPSIMAGE	Define el formato de archivo gráfico de la imagen de la pantalla.
Acerca de guardar imágenes		Muestra el texto de ayuda correspondiente a esta tarea.
Seleccionar carpeta		Muestra una lista con el contenido de la carpeta de la tarjeta CF actual y muestra los siguientes elementos de menú.
	Cambiar carpeta	Consulte la sección <i>Administración de archivos y carpetas</i> en la página 14.
	Orientación del papel	Define la orientación de la imagen como vertical u horizontal.
	Ahorrador de tinta Activar, Desactivar	Activa o desactiva el modo Ahorrador de tinta (sólo en los modelos en color).
	Nueva carp.	Consulte la sección <i>Administración de archivos y carpetas</i> en la página 14.
Almacenar	nombre de archivo	Guarda la imagen de la pantalla en un archivo con un nombre generado automáticamente en la carpeta de la tarjeta CF actual.

## Cómo guardar la configuración del osciloscopio

Puede utilizar el menú Guardar conf (ALM/REC ► Acción = Guardar conf.) para guardar la configuración del osciloscopio actual en un archivo denominado TEKnnnn.SET en la carpeta especificada o en la memoria de configuración no volátil. Los archivos de configuración contienen una única cadena de texto ASCII que recoge la configuración del osciloscopio.

Opciones	Parámetros o submenús	Comentarios
Guardar en	Nº Memoria Configuración	Determina que la configuración del osciloscopio actual se guarde en la memoria de configuración no volátil.
	Archivo	Determina que la configuración del osciloscopio actual se guarde en un archivo en la tarjeta CF.
Nº Memoria Configuración	De 1 a 10	Determina la ubicación en la memoria de configuración no volátil.
Seleccionar carpeta		Muestra una lista con el contenido de la carpeta de la tarjeta CF actual y muestra los siguientes elementos de menú.
	Cambiar carpeta	Consulte la sección <i>Administración de archivos y carpetas</i> en la página 14.
	Nueva carp.	Regresa al menú Guardar todo.
Almacenar		Guardar la configuración en la ubicación de memoria de configuración especificada.
	nombre de archivo	Guarda la configuración en un archivo generado automáticamente en la carpeta actual de la tarjeta CF.

## Cómo guardar archivos de forma de onda

Puede utilizar el menú Guardar f. onda (ALM/REC ► Acción = Guardar f. onda) para guardar la forma de onda especificada en un archivo denominado TEKnnnn.CSV o en la memoria de referencia. El módulo guarda los datos de forma de onda en archivos de valores separados por comas (formato .csv), que están formado por una cadena de texto ASCII que recoge una lista de los valores de tiempo (relativos al disparo) y voltaje de cada uno de los 2.500 puntos de datos de forma de onda. Los archivos .csv se pueden importar a multitud de aplicaciones de hoja de cálculo y análisis matemático.

Opciones	Parámetros o submenús	Comentarios
Guardar en	Archivo	Determina que los datos de forma de onda de fuente se guarden en un archivo en la tarjeta CF.
	Ref	Determina que los datos de forma de onda de fuente se guarden en la memoria de referencia.
Fuente	CH(x), Ref(x), MATEM.	Determina la forma de onda de fuente que se va a guardar.
Guardar en	Ref(x)	Especifica la ubicación en la memoria de referencia en la que se va a guardar la forma de onda de fuente.
Seleccionar carpeta		Muestra una lista con el contenido de la carpeta de la tarjeta CF actual y muestra los siguientes elementos de menú.
	Cambiar carpeta	Consulte la sección <i>Administración de archivos y carpetas</i> en la página 14.
	Nueva carp.	
Almacenar		Guardar la forma de onda en la memoria de referencia especificada.
	nombre de archivo	Guarda los datos de forma de onda en un archivo con un nombre generado automáticamente en la carpeta actual de la tarjeta CF.

## Recuperación de la configuración del osciloscopio

Puede utilizar el menú Recup config (ALM/REC ► Acción = Recup config) para cargar información de configuración del osciloscopio a partir de un archivo o una ubicación de la memoria.

Opciones	Parámetros o submenús	Comentarios
Recuperar desde	Nº Memoria Configuración	Determina que la configuración del osciloscopio se recuperará a partir de la memoria no volátil.
	Archivo	Determina que la configuración del osciloscopio se recuperará a partir de un archivo guardado en la tarjeta CF.
Nº Memoria Configuración	De 1 a 10	Especifica la ubicación de la memoria no volátil desde la que se recuperará la configuración del osciloscopio.
Seleccionar carpeta		Lista el contenido de la carpeta actual de la tarjeta CF en la que se pueden seleccionar archivos y muestra el siguiente elemento de menú.
	Cambiar carpeta	Consulte la sección <i>Administración de archivos y carpetas</i> en la página 14.
Recuperar		Recupera la configuración a partir de la memoria no volátil.
	nombre de archivo	Recupera la configuración a partir del archivo especificado de la tarjeta CF.

## Recuperación de archivos de forma de onda

Puede utilizar el menú Recu f. onda (ALM/REC ► Acción = Recu f. onda) para cargar datos de forma de onda desde una tarjeta CF a una ubicación determinada de la memoria de referencia.

Opciones	Parámetros o submenús	Comentarios
A	Ref(x)	Especifica la ubicación en la memoria de referencia en la que se van a cargar los datos de forma de onda.
Seleccionar carpeta		Lista el contenido de la carpeta actual de la tarjeta CF en la que se pueden seleccionar archivos y muestra los siguientes elementos de menú.
	Cambiar carpeta	Consulte la sección <i>Administración de archivos y carpetas</i> en la página 14.
	A Ref(x)	Especifica la ubicación en la memoria de referencia en la que se van a cargar los datos de forma de onda.
Recuperar	nombre de archivo	Carga los datos de forma de onda desde un archivo especificado a la memoria de referencia.

## Presentación de formas de onda de referencia

Puede utilizar el menú Mostrar referencias (ALM/REC ► Acción = Mostrar referencias) para activar o desactivar la presentación de una forma de onda determinada de la memoria de referencia.

Opciones	Parámetros o submenús	Comentarios
Ref(x)	Activar, Desactivar	Activa o desactiva la presentación de la forma de onda especificada de la memoria de referencia.

## Configuración de las opciones de la impresora

Puede utilizar el menú Configurar impresora (UTILIDADES ► Opciones ► Configurar impresora) para configurar el formato de archivo de la impresora y los parámetros del puerto.

Opciones	Parámetros o submenús	Comentarios
Botón Imprimir		Consulte la página 5 para obtener información sobre la configuración del botón Imprimir.
Puerto de impresora	Centronics, RS-232	Puerto de comunicaciones utilizado para conectar el osciloscopio a una impresora.
Formato de impresora	Thinkjet, Deskjet, Laser Jet, Bubble Jet, Epson Dot, DPU411, DPU412, DPU3445, Epson C60, Epson C80, BMP, PCX, TIFF, RLE, EPSIMAGE	Tipo de impresora conectada al puerto de comunicaciones. Esta opción de menú se activa cuando el botón Imprimir está configurado como Impresiones.
Formato de archivo	BMP, PCX, TIFF, RLE, EPSIMAGE	Tipo de formato de archivo de imagen gráfica. Esta opción de menú se activa cuando el botón Imprimir está configurado como Guardar imagen.
Orientación del papel	Vertical, Horizontal	Orientación de la salida de la impresora.
Ahorrador de tinta	Activado, Desactivado	Activa o desactiva la impresión de la pantalla como una imagen negra con fondo blanco. Esta opción sólo está disponible en los osciloscopios de la serie TDS2000.
Cancelar impresión		Detiene el envío de datos de la pantalla a la impresora.

## Configuración de la fecha y la hora

Puede utilizar el menú Establ. fecha y hora (UTILIDADES ► Opciones ► Establ. fecha y hora) para definir la hora y la fecha en el reloj del módulo. El módulo utiliza esta información para estampar la hora en los archivos escritos en la tarjeta. El módulo contiene una batería integrada fija que mantiene la configuración del reloj.

Opciones	Parámetros	Comentarios
↑ ↓		Desplaza el cursor de selección de campos hacia arriba o hacia abajo en la lista. Utilice el mando NIVEL de DISPARO para cambiar el valor del campo seleccionado.
Establ. fecha y hora		Actualiza el módulo con la configuración de fecha y hora determinada.
Cancelar		Cierra el menú y regresa al menú anterior sin guardar los cambios.

### Puntos clave

**Cambio a los horarios de invierno y verano.** El reloj y el calendario del módulo no registran automáticamente el cambio al horario de invierno y verano. El módulo sí registra los años bisiestos.

## Administración de archivos y carpetas

Puede utilizar la función Util. archivo (UTILIDADES ► Util. archivo) para hacer lo siguiente:

- Presentar el contenido de la carpeta actual.
- Seleccionar un archivo o una carpeta.
- Desplazarse a otras carpetas.
- Crear, renombrar y eliminar archivos y carpetas.
- Dar formato a una tarjeta CompactFlash.

Opciones	Comentarios
Cambiar carpeta	Se desplaza a la carpeta de la tarjeta CF seleccionada. Utilice el mando POSICIÓN HORIZONTAL para seleccionar un archivo o carpeta y, a continuación, pulse la opción de menú Cambiar carpeta para desplazarse a la carpeta seleccionada.  Para regresar a la carpeta anterior, seleccione el elemento de carpeta Arriba y pulse la opción de menú Cambiar carpeta.
Nueva carp.	Crea una nueva carpeta para la tarjeta CF dentro de la carpeta actual llamada NEW_FOL y muestra el menú Renombrar para cambiar el nombre predeterminado.
Eliminar (nombre de archivo/carpeta)	Elimina el archivo o la carpeta seleccionados. Para poder eliminar una carpeta, debe estar vacía.
Confirmar eliminar	Esta opción aparece tras pulsar Eliminar y le solicita que confirme la acción de eliminación. Si pulsa cualquier botón o mando distinto del botón Confirmar eliminar, la acción de eliminación del archivo se anula.
Renombrar	Muestra la pantalla Renombrar para modificar el nombre de una carpeta o un archivo. Consulte la sección <i>Cómo renombrar archivos o carpetas</i> en la página 15.

Opciones	Parámetros	Comentarios
Formato	Sí, No	Da formato a la tarjeta CompactFlash. El formato elimina todos los datos de la tarjeta CF.

## Cómo renombrar archivos y carpetas

Puede utilizar la pantalla Renombrar (UTILIDADES ► Util. archivo ► Renombrar) para cambiar los nombres de archivo y de carpeta de la tarjeta CompactFlash.

Opciones	Parámetros o submenús	Comentarios
Aceptar carácter	A - Z 0 - 9 _ .	Introduce el carácter alfanumérico resaltado en la posición actual del cursor en el campo Nombre.  Utilice el mando POSICIÓN HORIZONTAL para seleccionar un carácter alfanumérico o las funciones Retroceso, Eliminar carácter o Borrar nombre.
	Retroceso	Asigna a la opción 1 del botón de menú la función Retroceso. Elimina el carácter que se encuentra a la izquierda del carácter resaltado en el campo Nombre.
	Eliminar carácter	Asigna a la opción 1 del botón de menú la función Eliminar carácter. Elimina el carácter resaltado en el campo Nombre.
	Borrar nombre	Asigna a la opción 1 del botón de menú la función Borrar nombre. Elimina todos los caracteres del campo Nombre.

Opciones	Parámetros o submenús	Comentarios
← →		Desplaza el cursor del campo Nombre a la izquierda o a la derecha una posición.
Aceptar		Cambia el nombre de la carpeta o el archivo por el que figura en el campo Nombre.
Cancelar		Cancela la acción de renombrar (no cambia el nombre de la carpeta o el archivo) y regresa al menú anterior.

## Uso de los comandos de programación a través del puerto RS-232

Consulte la sección *Módulo de comunicaciones TDS2CMA* del *Manual del usuario del osciloscopio de almacenamiento digital de las series TDS1000 y TDS2000* para obtener información sobre cómo controlar el TDS2MEM o las funciones del osciloscopio a través del puerto RS-232. Consulte el *Manual del programador del osciloscopio de almacenamiento digital de las series TDS1000 y TDS2000* (número de pieza de Tektronix 071-1075-01) para obtener información sobre la sintaxis de los comandos.

## Uso del lector de tarjetas CompactFlash

Consulte la documentación suministrada con el lector de tarjetas CF para instalar, configurar y utilizar el lector de tarjetas CF en el puerto USB del PC. Es posible que necesite instalar controladores USB para utilizar el lector de tarjetas CF.

Tektronix garantiza la tarjeta CF y el lector de tarjetas CF durante tres (3) meses. Consulte la sección *Garantía* de este documento para obtener información específica sobre la garantía. Una vez transcurrido el periodo de garantía de Tektronix, en caso de necesidad de asistencia técnica, póngase en contacto con los respectivos fabricantes de estos componentes.

# Manual do usuário



## **TDS2MEM** **Memória de armazenamento e** **Módulo de comunicação**

**071-1262-00**

Este documento suporta a versão firmware FV:v6.00 e a posterior.

**[www.tektronix.com](http://www.tektronix.com)**

Copyright © Tektronix, Inc. Todos os direitos reservados.

Os produtos da Tektronix são cobertos pelas patentes norte-americanas e estrangeiras, emitidas e pendentes. As informações desta publicação substitui as informações de todos os materiais publicados anteriormente. Especificações e privilégios de alterações de preços reservados.

Tektronix, Inc., P.O. Box 500, Beaverton, OR 97077, EUA

TEKTRONIX e TEK são marcas registradas da Tektronix, Inc.

CompactFlash é uma marca registrada da CompactFlash Association.

## **RESUMO DE GARANTIA TDS2MEM**

A Tektronix garante que os produtos que fabrica e vende estarão isentos de defeitos de material e de mão-de-obra por um período de três (3) anos a partir da data de envio de uma distribuidora autorizada Tektronix. Se um produto ou CRT apresentar defeito dentro do período respectivo, a Tektronix providenciará o reparo ou a substituição, conforme descrito na declaração de garantia.

Para solicitar assistência técnica ou obter uma cópia da declaração de garantia, contate o escritório de serviço e vendas da Tektronix mais próximo.

**COM EXCEÇÃO DAS OBRIGAÇÕES ESTIPULADAS NESTE RESUMO OU NA DECLARAÇÃO DE GARANTIA APLICÁVEL, A TEKTRONIX NÃO CONCEDE QUALQUER OUTRO TIPO DE GARANTIA, EXPLÍCITA OU IMPLÍCITA, INCLUINDO, MAS NÃO SE LIMITANDO A, GARANTIAS IMPLÍCITAS DE COMERCIALIZAÇÃO E ADEQUAÇÃO A UM FIM ESPECÍFICO. EM NENHUM CASO, A TEKTRONIX SERÁ RESPONSÁVEL POR DANOS DIRETOS, INDIRETOS, ESPECIAIS, ACIDENTAIS OU CONSEQÜENTES.**

## **GARANTIA**

### **Cartão CompactFlash e Leitor CompactFlash**

A Tektronix garante que as peças, componentes e materiais (“produtos”) que fabrica e vende estarão isentos de defeitos de material e de mão-de-obra por um período de três (3) meses a partir da data de envio. Se, durante o período de garantia aplicável, for comprovado defeito em um produto, a Tektronix, de acordo com seus critérios, irá substituir o produto com defeito ou consertá-lo sem cobrar pelas peças e mão-de-obra.

Para obter assistência técnica sob esta garantia, o Cliente deve notificar a Tektronix sobre o defeito antes que expire o período de garantia e tomar as providências adequadas para a realização do serviço. O cliente será responsável pela embalagem e envio do produto com defeito ao centro de serviços designado pela Tektronix, com as despesas de envio pré-pagas. A Tektronix pagará pela devolução do produto ao Cliente se o envio for para um local dentro do país no qual o centro de serviços da Tektronix está localizado. O cliente será responsável pelo pagamento de todas as despesas, taxas, impostos de envio e qualquer outras despesas relativas à devolução do produto para outros locais.

Esta garantia não será aplicada a qualquer defeito, falha ou dano causado pelo uso inapropriado ou manutenção e atendimento inadequados. A Tektronix não será obrigada a fornecer assistência técnica sob esta garantia a) para reparar danos resultantes de tentativas de conserto praticadas por pessoas que não sejam técnicos da Tektronix b) para reparar danos resultantes de uso impróprio ou conexão a equipamento incompatível, c) para reparar dano ou mau funcionamento causado por uso de componentes não fornecidos ou suportados pela Tektronix, ou d) para dar assistência técnica a um produto que foi modificado ou integrado a outros produtos quando o efeito dessa modificação ou integração aumenta o tempo ou a dificuldade de dar assistência técnica ao produto.

**ESTA GARANTIA É DADA PELA TEKTRONIX EM LUGAR DE QUAISQUER OUTRAS GARANTIAS, EXPLÍCITAS OU IMPLÍCITAS. A TEKTRONIX E SEUS FORNECEDORES ISENTAM-SE DE QUAISQUER GARANTIAS IMPLÍCITAS DE COMERCIALIZAÇÃO OU ADEQUAÇÃO A UM FIM ESPECÍFICO. A RESPONSABILIDADE DA TEKTRONIX DE CONSERTAR OU SUBSTITUIR PRODUTOS COM DEFEITO É O ÚNICO E EXCLUSIVO RECURSO FORNECIDO AO CLIENTE POR QUEBRA DESSE CONTRATO. A TEKTRONIX e SEUS FORNECEDORES NÃO SERÃO RESPONSABILIZADOS POR QUAISQUER DANOS INDIRETOS, ESPECIAIS, ACIDENTAIS OU CONSEQÜENTES SE A TEKTRONIX OU O FORNECEDOR TIVEREM CONHECIMENTO DA POSSIBILIDADE DE TAIS DANOS.**

# Resumo Geral sobre Segurança

Releia as precauções de segurança a seguir para evitar danos físicos e prevenir danos ao produto ou a quaisquer produtos conectados a ele.

Para evitar riscos potenciais, use esse produto conforme especificado.

*Apenas o pessoal qualificado deverá prestar serviços de manutenção.*

## Para evitar fogo ou ferimentos físicos

**Faça a ligação do produto à terra.** Este produto é ligado à terra indiretamente por meio do condutor de aterramento da tomada de força geral. Para evitar choque elétrico, o condutor de aterramento deve estar ligado à terra. Antes de fazer as conexões aos terminais de entrada e saída do produto, certifique-se de que o produto esteja corretamente ligado à terra.

**Observe todas as potências dos terminais.** Para evitar incêndio ou choque elétrico, observe todas as potências e marcações no produto. Consulte o manual do produto para obter informações sobre potências antes de realizar conexões ao produto.

O terminal comum está em potencial de terra. Não conecte o terminal comum à voltagens elevadas.

**Não opere o produto sem capas.** Não opere este produto com capas ou painéis removidos.

**Evite circuito exposto.** Não toque em conexões e componentes expostos quando a energia estiver presente.

**Não opere com suspeita de falhas.** Se você suspeitar que o produto está danificado, solicite a inspeção técnica de pessoal qualificado.

**Não opere em ambiente molhado/úmido.**

**Não opere em um ambiente explosivo.**

**Mantenha as superfícies do produto limpas e secas.**

### Símbolos e Termos

**Termos do Manual.** Esses termos podem aparecer neste manual:



---

**AVISO.** *As declarações de garantia identificam condições ou práticas que poderiam resultar em ferimento ou morte.*

---



---

**CUIDADO.** *As declarações de garantia identificam condições ou práticas que poderiam resultar em dano ao produto em questão ou a outros pertences.*

---

**Termos do produto.** Esses termos podem aparecer no produto:

PERIGO indica um risco eminente de danos físicos.

ALERTA indica um risco eminente de danos físicos.

CUIDADO indica um risco à propriedade, inclusive ao produto.

**Símbolos do produto.** Esses símbolos podem aparecer no produto:



CUIDADO  
Consulte o Manual



Terminal Terra  
de Proteção

### Reciclagem de bateria

Este produto contém uma bateria de lítio não recarregável. Deposite a bateria usada em local apropriado conforme os regulamentos locais.



## Contate a Tektronix

<b>Fone</b>	1-800-833-9200*
<b>Endereço</b>	Tektronix, Inc. Departamento ou nome (se souber) 14200 SW Karl Braun Drive P.O. Box 500 Beaverton, OR 97077 USA
<b>Website</b>	<a href="http://www.tektronix.com">www.tektronix.com</a>
<b>Vendas Suporte</b>	1-800-833-9200, selecione a opção 1*
<b>Serviço Suporte</b>	1-800-833-9200, selecione a opção 1*
<b>Suporte técnico</b>	E-mail: <a href="mailto:techsupport@tektronix.com">techsupport@tektronix.com</a> 1-800-833-9200, selecione a opção 3* 6:00 a.m. - 5:00 p.m. Hora oficial

---

\* A discagem para este número de telefone é gratuita na América do Norte. Após o horário de expediente, deixe uma mensagem de voz. Fora da América do Norte, contacte um escritório de vendas ou distribuidor Tektronix, consulte o website da Tektronix para obter uma lista de escritórios.

Contate a Tektronix

---

# Usando o Módulo de Memória de Armazenamento e Comunicações TDS2MEM

O módulo Memória de Armazenamento e Comunicações TDS2MEM acrescenta a memória de armazenamento do cartão CompactFlash (CF) Tipo 1 removível, a capacidade de programação remota RS-232, e RS-232 e a conectividade de saída da impressora Centronics ao osciloscópio das séries TDS1000- ou TDS2000.

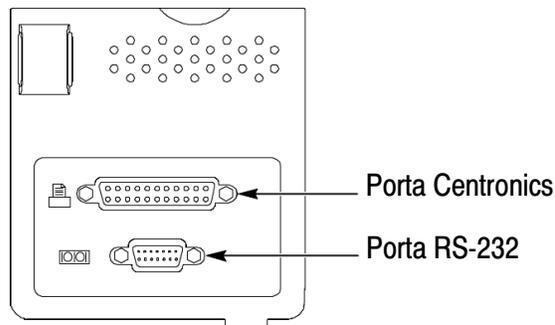
---

**NOTA:** *Este módulo não é compatível com os osciloscópios das séries TDS200.*

---

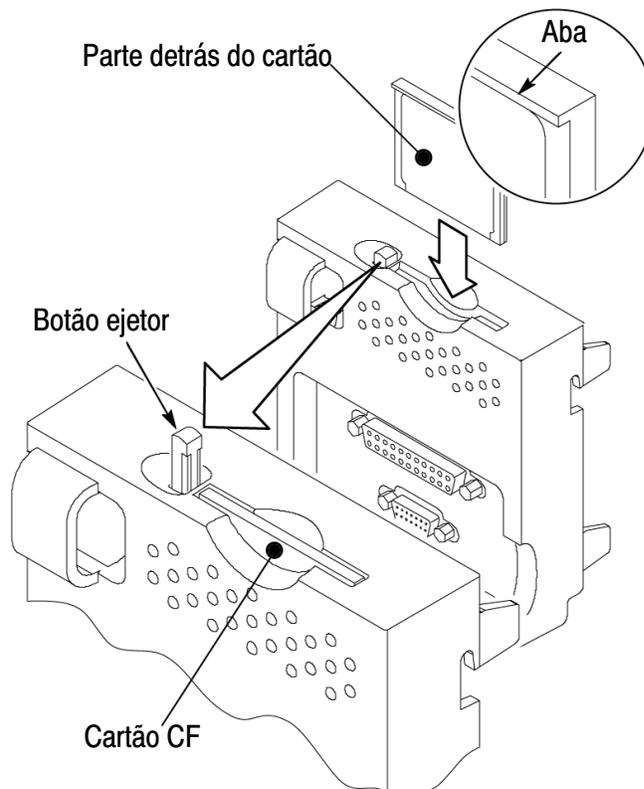
## Instalando o Módulo

Consulte a folha *da Instalação do Módulo de Extensão das Séries TDS200, TDS1000 e TDS2000* para obter instruções sobre a instalação do módulo. A ilustração a seguir identifica as portas de saída do módulo TDS2MEM.



## Instalando e Removendo o Cartão CompactFlash

Insira um cartão CompactFlash Tipo 1 no slot até que o cartão fique nivelado com a caixa do módulo, conforme mostrado abaixo. O cartão CF é perfurado para ser inserido apenas de uma maneira. Se o cartão CF não deslizar facilmente para o lugar, remova-o e reinsira-o corretamente.



Para remover o cartão CompactFlash, pressione e solte o botão ejetor até que fique totalmente levantado, depois pressione o botão ejetor novamente para soltar o cartão CD do slot. Retire o cartão CF do slot do módulo.

## Tempo de Leitura Inicial do Cartão CompactFlash

O TDS2MEM lê uma estrutura interna do cartão CF sempre que você inserir um cartão CF. O tempo para concluir a leitura depende do tamanho do cartão CF e de como ele foi formatado. Para encurtar significativamente o tempo de leitura inicial de 64 MB e de cartões CF maiores usados no módulo TDS2MEM, formate o cartão CF usando a função de formatar do TDS2MEM (UTILITY ► Utilitários de Arquivos ► Formato).

## Formatando um cartão CompactFlash

1. Insira um cartão CF no módulo.
2. Pressione o botão do painel frontal **UTILITÁRIO**.
3. Selecione a opção de menu **Utilitários de arquivos**.
4. Selecione a opção de menu **Mais** para exibir a página 2 do menu.
5. Selecione a opção de menu **Formato**.
6. Selecione a opção de menu **Sim** para formatar o cartão CF.  
A formatação exclui todos os dados do cartão CF.

## Capacidades do Cartão CompactFlash

A seguir, temos o número aproximado de arquivos, por tipo, que você pode armazenar em cada 1 MB da memória do cartão CF.

- 5 Grave todas as operações (consulte *Gravando informações usando o botão IMPRIMIR* na página 5)
- 16 arquivos de imagem na tela (capacidade real depende do formato de imagem selecionada) (consulte *Gravando uma Imagem na Tela para um Arquivo* na página 7)

- 250 arquivos de configuração (.set) (consulte *Gravando Configurações de Osciloscópio* na página 8)
- 18 arquivos de forma de onda (.csv) (consulte *Gravando Arquivos de Forma de Onda* na página 9)

## Convenções para Gerenciamento do Arquivo

- O osciloscópio verifica o espaço disponível no cartão CompactFlash antes de gravar arquivos, e exibe uma mensagem de aviso se não houver memória suficiente para os arquivos que você está gravando.
- O termo *pasta* (folder) usado neste manual refere-se à localização do diretório no cartão CF.
- A localização da restauração ou gravação do arquivo padrão é a pasta atual.
- A pasta raiz é A:\.
- O osciloscópio reinicia a pasta atual em A:\ quando liga o instrumento, ou quando insere um cartão CF após o osciloscópio ser ligado.
- Os nomes de arquivos podem ter de um a oito caracteres seguidos por um ponto com uma extensão de um a três caracteres.
- Nomes de arquivo longos em sistemas operacionais de PC são exibidos com o nome de arquivo mais curto do sistema operacional.
- Nomes de arquivo ficam em caixa alta.

## Gravando Informações Usando o Botão IMPRIMIR

Você usa o menu Gravar Todos (GRAVAR/RECUPERAR ► Ação = Gravar Todos) para definir o botão IMPRIMIR para realizar uma das três funções:

- Gravar automaticamente informações do osciloscópio para múltiplos arquivos em uma pasta.
- Gravar a imagem da tela em um arquivo.
- Imprimir a imagem da tela para a porta da impressora atual.

Opções	Configurações ou Submenus	Comentários
Botão Imprimir	Grava Todos em Arquivos.	Define o botão imprimir para gravar todas as informações do osciloscópio (formas de onda, imagem da tela, configurações) em arquivos em uma nova subpasta na pasta atual do cartão CF. Consulte <i>Gravar Todos em Arquivos</i> na página 6.
	Grava Imagem em Arquivo	Define o botão IMPRIMIR para enviar a imagem da tela para um arquivo no cartão CF.
	Imprime	Define o botão Imprimir para enviar a imagem da tela para a porta da impressora atual.
Selecionar Pasta		Lista o conteúdo da pasta do cartão CF atual e exibe os seguintes itens de menu.
	Mudar Pasta	Consulte <i>Administrando arquivos e pastas</i> na página 14.
	Pasta nova	
	Voltar	Retorna para o menu Gravar Todos.
Sobre Gravar Todos		Exibe o texto de ajuda para essa tarefa.

### Pontos principais

**Grava Todos em Arquivos.** Configurar o Botão Imprimir para Gravar Todos em Arquivos é um modo rápido e fácil de gravar todas as informações do osciloscópio atual para os arquivos com um único botão. Pressionar o botão IMPRIMIR cria uma nova pasta e grava as seguintes informações em arquivos separados naquela nova pasta, usando o instrumento atual e as configurações de formatação do arquivo, conforme listadas na tabela a seguir:

Origem	Nome do Arquivo
CH(x)	FnnnnCHx.CSV, onde nnnn é um número- gerado automaticamente, e x é o número do canal.
MATH	FnnnnMTH.CSV
Ref(x)	FnnnnRFx.CSV, onde x é a letra de memória de referência.
Imagem na tela	FnnnnTEK.???, onde ??? é o formato do arquivo atual Gravar Imagem.
Configurações	FnnnnTEK.SET

**Arquivos .CSV.** Arquivos .CSV (valor separado por vírgula) contêm string de texto ASCII que lista os valores de tempo (relativo ao acionador) e de tensão para cada um dos 2500 pontos de dados de forma de onda. Você pode importar arquivos .csv para muitas planilhas e aplicativos de análise matemática.

**Arquivos de Imagem na tela.** Você pode importar arquivos de imagem na tela para muitas planilhas e aplicativos de processamento de texto. O tipo de arquivo de imagens que você pode importar depende do aplicativo.

**Arquivos .SET.** Arquivos SET contêm uma string de texto ASCII listando as configurações do osciloscópio.

## Gravar a imagem da tela em um arquivo

Você usa o menu Gravar Imagem (GRAVAR/RESTAURAR ► Ação = Gravar Imagem) para gravar a imagem na tela do osciloscópio em um arquivo default chamado TEKnnnn.???, onde .??? é o formato do arquivo gráfico especificado. Você pode importar arquivos de imagem na tela para muitas planilhas e aplicativos de processamento de texto.

Opções	Configurações ou Submenus	Comentários
Formato de arquivo	BMP, PCX, TIFF, RLE, EPSIMAGE	Define o formato do arquivo gráfico da imagem na tela.
Sobre a gravação de imagens		Exibe o texto de ajuda para essa tarefa.
Selecionar Pasta		Lista o conteúdo da pasta do cartão CF atual e exibe os seguintes itens de menu.
	Mudar Pasta	Consulte <i>Administrando arquivos e pastas</i> na página 14.
	Layout:	Selecionar modo vertical ou horizontal para o layout da imagem.
	Economizador de tinta Ligar, Desligar	Altere o modo Ligar ou Desligar do Economizador de tinta (apenas modelos coloridos).
	Pasta nova	Consulte <i>Administrando arquivos e pastas</i> na página 14.
Gravar	nome de arquivo	Grava a imagem na tela para o nome de arquivo gerado automaticamente na pasta do cartão CF atual.

## Gravando configurações do osciloscópio

Você usa o menu Gravar Configuração (GRAVAR/RESTAURAR ► Ação = Gravar Configuração) para gravar as configurações atuais do osciloscópio para arquivo com nome TEKnnnn.SET na pasta especificada ou na memória de configuração não-volátil. Arquivos de configuração contêm uma string de texto ASCII que lista as configurações do osciloscópio.

Opções	Configurações ou Submenus	Comentários
Gravar para	Configuração	Especifica gravando as configurações atuais do osciloscópio na memória de configuração não-volátil.
	Arquivo	Especifica para gravar as configurações atuais do osciloscópio em um arquivo do cartão CF.
Configuração	1 a 10	Especifica a localização da memória de configuração não-volátil.
Selecionar Pasta		Lista o conteúdo da pasta do cartão CF atual e exibe os seguintes itens de menu.
	Mudar Pasta	Consulte <i>Administrando arquivos e pastas</i> na página 14.
	Pasta nova	Retorna para o menu Gravar Todos.
Gravar		Especifica a localização da memória de configuração não-volátil.
	nome de arquivo	Grava as configurações para o nome de arquivo gerado automaticamente na pasta do cartão CF atual.

## Gravando arquivos de formas de onda

Você usa o menu Gravar Fdo (GRAVAR/RESTAURAR ► Ação = Gravar Fdo) para gravar a forma de onda especificada para arquivo com nome TEKnnnn.CSV, ou para a memória de referência. O módulo grava os dados de forma de onda em arquivos com valores separados por vírgula (formato .csv), que é uma string de texto ASCII que lista os valores de tempo (relativo ao acionador) e de tensão para cada um dos 2500 pontos de dados de forma de onda. Você pode importar arquivos .csv para muitas planilhas e aplicativos de análise matemática.

Opções	Configurações ou Submenus	Comentários
Gravar para	Arquivo	Especifica para gravar as configurações atuais do osciloscópio em um arquivo do cartão CF.
	Ref	Especifica para gravar os dados de forma de onda de origem na memória de referência.
Origem	CH(x), Ref(x), MATH	Especifica qual forma de onda de origem salvar
Gravar para	Ref(x)	Especifica a localização da memória de referência na qual deve ser gravada a forma de onda de origem.
Selecionar Pasta		Lista o conteúdo da pasta do cartão CF atual e exibe os seguintes itens de menu.
	Mudar Pasta	Consulte <i>Administrando arquivos e pastas</i> na página 14.
	Pasta nova	
Gravar		Grava a forma de onda na memória de referência especificada.
	nome de arquivo	Grava os dados da forma de onda no nome imagem na tela para arquivo com nome gerado automaticamente na pasta do cartão CF atual.

## Restaurando configurações do osciloscópio

Usar o menu Restaurar Configuração (GRAVAR/RESTAURAR ► Ação = Restaurar Configuração) para carregar informações de configuração do osciloscópio de um arquivo ou localização de memória.

Opções	Configurações ou Submenus	Comentários
Restaurar de	Configuração	Especifica para restaurar configurações de osciloscópio da memória não-volátil.
	Arquivo	Especifica para restaurar configurações do osciloscópio em um arquivo do cartão CF.
Configuração	1 a 10	Especifica para restaurar configurações de osciloscópio da memória não-volátil.
Selecionar Pasta		Lista o conteúdo da pasta do cartão CF atual no qual é selecionado um arquivo, e exibe os seguintes itens de menu.
	Mudar Pasta	Consulte <i>Administrando arquivos e pastas</i> na página 14.
Restaurar		Restaurar as configurações da memória não-volátil.
	nome de arquivo	Restaura as configurações do arquivo do cartão CF especificado.

## Restaurando arquivos de formas de onda

Usar o menu Restaurar Fdo (GRAVAR/RESTAURAR ► Ação = Restaurar Configuração) para carregar dados de forma de onda de um arquivo de cartão CF para a localização de memória de referência especificada.

Opções	Configurações ou Submenus	Comentários
Para	Ref(x)	Especifica a localização da memória de referência na qual carregar os dados de forma de onda.
Selecionar Pasta		Lista o conteúdo da pasta do cartão CF atual no qual é selecionado um arquivo, e exibe os seguintes itens de menu.
	Mudar Pasta	Consulte <i>Administrando arquivos e pastas</i> na página 14.
	Para Ref(x)	Especifica a localização da memória de referência na qual carregar os dados de forma de onda.
Restaurar	nome de arquivo	Grava os dados de forma de onda do arquivo especificado para a memória de referência.

## Exibição de formas de onda de referência

Usar o menu Exibir Refs (GRAVAR/RESTAURAR ► Ação = Exibir Refs) para alternar o mostrador ligar ou desligar da forma de onda de memória de referência especificada.

Opções	Configurações ou Submenus	Comentários
Ref(x)	Ligar, Desligar	Altera o mostrador ligar ou desligar da forma de onda de memória de referência especificada.

## Configurando as opções da impressora

Usar o menu Configuração de impressora (UTILITÁRIO ► Opções ► Configuração de impressora) para configurar o formato de arquivo da impressora e as configurações da porta.

Opções	Configurações ou Submenus	Comentários
Botão Imprimir		Consulte página 5 para obter informações sobre as configurações do Botão Imprimir.
Porta de Impressão	Centronics, RS-232	Porta de comunicação usada para conectar o osciloscópio a uma impressora.
Formato da impressora.	Thinkjet, Deskjet, Laser Jet, Bubble Jet, Epson Dot, DPU411, DPU412, DPU3445, Epson C60, Epson C80, BMP, PCX, TIFF, RLE, EPSIMAGE	Tipo de impressora conectada à porta de comunicação. Essa opção de menu está ativada quando o Botão Imprimir é definido para Impressões.
Formato de arquivo	BMP, PCX, TIFF, RLE, EPSIMAGE	Tipo de formato do arquivo de imagem gráfica. Essa opção de menu está ativada quando o Botão Imprimir é definido para Gravar Imagem em Arquivos.
Layout	Vertical, Horizontal	Orientação de saída da impressora.
Economizador de tinta*	Ligar, Desligar	Alterna Ligar ou Desligar imprimindo a tela como uma imagem preta em um fundo branco. Disponível apenas em osciloscópios de séries TDS2000.
Cancelar Impressão		Interrompe o envio de dados da tela para a impressora.

## Definindo a Data e a Hora

Usar o menu Definir Data e Hora (UTILITÁRIO ► Opções ► Definir Data e Hora) para ajustar a data e a hora do relógio do módulo. O módulo usa essas informações para registrar a hora em que os arquivos são gravados no cartão. O módulo contém uma bateria interna não-recarregável para manter os ajustes do relógio.

Opções	Configurações	Comentários
↑ ↓		Move o marcador de seleção de campo para cima e para baixo Use o botão NÍVEL DE TRIGGER para mudar o valor do campo selecionado.
Defina a Data e a Hora		Atualiza o módulo com os ajustes de data e hora especificados.
Cancele		Fecha o menu e retorna ao menu anterior sem gravar as alterações.

### Pontos principais.

**Alterações de horário de verão.** O relógio e o calendário não possuem ajuste automático para alterações de horário de verão. O módulo não ajusta anos bissextos.

## Administrar Arquivos e Pastas

Usar a função Utilitários de arquivos (UTILITÁRIO ► Utilitários de arquivos) para fazer o seguinte:

- Listar o conteúdo da pasta atual.
- Selecionar arquivo ou pasta
- Navegar para outras pastas.
- Criar, renomear e eliminar arquivos e pastas.
- Formatar um cartão CompactFlash

Opções	Comentários
Mudar Pasta	Navega para a pasta do cartão CF selecionado. Usar o botão POSIÇÃO HORIZONTAL para selecionar um arquivo ou pasta, depois selecionar a opção de menu Mudar Pasta para navegar para a pasta selecionada.  Para retornar à pasta anterior, selecionar o item da pasta UP e selecionar a opção de menu Mudar Pasta.
Pasta nova	Cria uma nova pasta do cartão CF na pasta atual, chamada NEW_FOL, e exibe o menu Renomear arquivo para alterar o nome padrão.
Eliminar (nome de arquivo/pasta)	Eliminar o nome de arquivo selecionado ou pasta. Uma pasta deve estar vazia antes de ser eliminada.
Confirme a eliminação.	Exibe após pressionar Eliminar, para confirmar um ação de eliminação de arquivo. Se for pressionado qualquer botão diferente do botão Confirmar Eliminação, a ação de eliminação do arquivo será cancelada.
Renomear	Exibe a tela Renomear para renomear uma pasta ou arquivo, consulte <i>Renomeando Arquivos e Pastas</i> na página 15.

Opções	Configurações	Comentários
Formato	Sim, Não	Formata o cartão CompactFlash. A formatação elimina todos os dados do cartão CF.

## Renomeando Arquivos e Pastas

Usar a tela Renomear (UTILITÁRIO ► Utilitários de Arquivos ► Renomear) para alterar os nomes de arquivos e pastas no cartão CompactFlash.

Opções	Configurações ou Submenus	Comentários
Entrar Caractere	A - Z 0 - 9 _ .	Entra o caractere alfanumérico destacado na posição do cursor do campo Nome atual.  Use o botão POSIÇÃO HORIZONTAL para selecionar um caractere alfanumérico ou as funções Backspace, Excluir Caractere, ou Limpar Nome.
	Backspace	Altera a opção 1 do botão do menu para a função Backspace. Exclui o caractere para a esquerda do caractere destacado no campo Nome.
	Elimina Caractere	Altera a opção 1 do botão do menu para a função Excluir Caractere. Elimina o caractere destacado no campo Nome.
	Limpar Nome.	Altera a opção 1 do botão do menu para a função Limpar Nome. Elimina todos os caracteres do campo Nome.

Opções	Configurações ou Submenus	Comentários
← →		Move o cursor do campo de nomes uma posição para a esquerda ou direita.
OK		Altera a pasta de nome de arquivo para aquela mostra no campo Nome.
Cancela		Cancela a ação renomear (não altere o nome da pasta ou do arquivo) e retorne ao menu anterior.

## Usar os Comandos de Programação por meio da Porta RS-232.

Consulte a seção do *Módulo de Comunicações TDS2CMA* no *Manual do Usuário de Osciloscópio de Armazenagem Digital das Séries DS1000- e TDS2000* para obter informações sobre controle do TDS2MEM ou das funções do osciloscópio através da porta RS-232. Consulte o *Manual do Programador de Osciloscópio de Armazenagem Digital das Séries TDS1000 e TDS2000* (peça número 071-1075-01 ou posterior da Tektronix) para obter informações sobre a sintaxe do comando.

## Usando o Leitor do Cartão CompactFlash

Consulte a documentação do leitor do cartão CF incluída para instalar, configurar e usar o leitor de cartão na porta USB de seu PC. Pode ser necessário instalar os drivers USB para usar o leitor de cartão CF.

A Tektronix fornece garantia do cartão CF incluído e do leitor de cartão CF por três (3) meses. Para obter informações sobre a garantia, consulte o início deste documento. Contate os respectivos fabricantes desses itens para obter garantia ou suporte técnico após os três meses de cobertura da garantia Tektronix.

# 사용 설명서



## TDS2MEM 스토리지 메모리 및 통신 모듈

**071-1262-00**

본 문서는 펌웨어 버전 FV:v6.00 이상을 지원합니다.

**[www.tektronix.com](http://www.tektronix.com)**

Copyright © Tektronix, Inc. 모든 권리는 보유됩니다 .

Tektronix 제품은 특허를 받았거나 출판 및 출원 중인 미국 및 외국 특허에 의해 보호됩니다 . 본 출판물에 있는 정보는 이전에 출판된 모든 자료를 대체합니다 . 본사는 사양과 가격을 변경할 권리를 보유합니다 .

Tektronix, Inc., P.O. Box 500, Beaverton, OR 97077, USA

TEKTRONIX 및 TEK 는 Tektronix, Inc. 의 등록 상표입니다 .

CompactFlash 는 CompactFlash Association 의 등록 상표입니다 .

## 보증 요약 TDS2MEM

Tektronix 는 당사가 제조하여 판매하는 제품이 그 재료나 공정 기술에 있어서 결함이 없을 것을 공인 Tektronix 유통업자로부터 구입한 날부터 삼 (3) 년의 기간 동안 보증합니다 . 만약 제품이나 CRT 가 보증 기간 중에 결함이 있음이 증명될 경우 , Tektronix 는 보증서에 설명된 대로 수리 또는 교체품을 제공할 것입니다 .

서비스를 받거나 완전한 보증서를 받으려면 가까운 Tektronix 판매 및 서비스 사무소에 연락하십시오 .

**본 요약 또는 적용 가능한 보증서에 제공한 것을 제외하고 Tektronix 는 특정 목적을 위한 시장성과 적합성의 암시적 보증을 포함한 어떤 종류의 명시적이거나 암시적인 보증도 하지 않습니다 . 어떠한 경우에도 Tektronix 는 간접적이거나 특수한 또는 , 결과적인 손상에 대해 책임을 지지 않습니다 .**

## 보증 CompactFlash Card 및 CompactFlash Reader

Tektronix 는 당사가 제조하여 판매하는 부품, 조립품 및 소모품 (“ 제품 ”) 이 그 재료나 공정 기술에 있어서 결함이 없을 것을 구입한 날부터 삼 (3) 개월의 기간 동안 보증합니다. 이 보증 기간 동안 제품에 결함이 있는 것으로 증명되면, Tektronix 는 옵션에 따라 부품이나 공임을 청구하지 않고 결함 제품을 수리하거나, 결함 부품에 대해 교체품을 제공합니다.

본 보증에 의한 서비스를 받으려면, 보증 기간이 만료되기 전에 고객께서 Tektronix 에 결함을 통지하고 서비스 실시에 필요한 적절한 준비를 하셔야 합니다. 고객께서 결함 제품을 포장하여 운송 요금 선불로 Tektronix 지정 서비스 센터에 발송해야 합니다. 반송 주소지가 서비스 센터가 소재한 국가 내에 있는 경우, Tektronix 가 고객으로 제품을 반송하는 운송 요금을 부담합니다. 기타 지역으로 제품을 반송하는 경우, 고객께서 모든 운송 요금, 관세, 세금 및 기타 비용을 부담합니다.

본 보증은 잘못된 사용 또는 잘못되거나 적절치 못한 정비 및 수리로 인하여 발생한 모든 결함, 고장 또는 손상에 대해서 적용되지 않습니다. Tektronix 는 본 보증에 의해 다음 서비스를 제공할 책임이 없습니다. 가) Tektronix 공인 기술자가 아닌 사람에 의한 제품의 설치, 수리 또는 서비스로 인하여 발생한 손상의 수리, 나) 잘못된 사용 또는 호환되지 않는 장비와의 연결로 인하여 발생한 손상의 수리, 다) 타사 소모품의 사용으로 인하여 발생한 손상 또는 고장의 수리, 라) 개조나 통합 때문에 제품의 서비스 시간이 길어지거나 어려워진 경우, 이러한 개조 또는 다른 제품과 통합된 제품의 서비스.

**본 보증은 명시적 또는 묵시적으로 다른 보증을 대신하여 제공됩니다. Tektronix 와 판매업체는 시장성 또는 특정 목적의 적합성에 대한 어떠한 묵시적 보증도 거부합니다. 결함 제품에 대한 Tektronix 의 수리 또는 교체 책임이 본 보증의 위반에 대해 고객에게 제공되는 유일한 구제 수단입니다. 손상의 가능성에 대한 사전 통지를 받았다 할지라도 Tektronix 와 판매업체는 어떠한 우연적, 특수, 우발적 또는 결과적 손상에 대해 책임을 지지 않습니다.**

## 일반 안전사항 요약

다음 안전 예방책을 검토하여 본 제품이나 관련 제품으로 인한 손상이나 부상을 방지합니다.

잠재적인 부상 위험을 방지하려면 이 제품을 지정된 사항대로 사용합니다.

*전문요원만이 서비스 절차를 실시해야 합니다.*

### 화재 또는 부상 방지

**제품을 접지합니다.** 본 제품은 메인프레임 전원 코드의 접지 도체를 통해 간접적으로 접지됩니다. 감전을 예방하기 위해 접지 도체를 접지에 연결해야 합니다. 제품의 입력이나 출력 단자에 연결하기 전에 제품이 적절히 접지되었는지 확인합니다.

**모든 단자 정격을 준수합니다.** 화재나 충격 위험을 피하기 위해 모든 정격과 제품의 표시를 준수합니다. 제품에 연결하기 전에 제품 설명서를 참조하여 추가 정격 정보를 확인하십시오.

공통 단자는 접지 전위에 있습니다. 공통 단자를 높은 전압에 연결하지 않습니다.

**덮개 없이 작동하지 않습니다.** 덮개나 패널을 제거한 상태로 본 제품을 작동하지 않습니다.

**회로의 노출을 피합니다.** 전원이 공급 중일 때는 노출된 연결부와 구성품을 만지지 않습니다.

**고장이 의심되는 제품은 사용하지 않습니다.** 제품이 손상된 것으로 여겨지는 경우에는 전문요원의 검사를 받습니다.

**축축하고 습기가 많은 환경에서 사용하지 않습니다.**

**폭발 위험이 있는 장소에서 사용하지 않습니다.**

**제품 표면을 깨끗하고 건조하게 유지합니다.**

## 기호 및 용어

본 설명서의 용어. 다음 용어가 본 설명서에 나타날 수 있습니다.



---

**경고.** 경고문은 부상이나 사망을 초래할 수 있는 조건이나 상황을 명시합니다.

---



---

**주의.** 주의문은 본 제품 또는 기타 재산상에 피해를 줄 수 있는 조건이나 상황을 명시합니다.

---

**제품에 있는 용어.** 다음 용어가 제품에 나타날 수 있습니다.

위험은 표지를 읽는 즉시 영향을 받을 수 있는 부상 위험을 나타냅니다.

경고는 표지를 읽는 즉시 영향을 받지 않는 부상 위험을 나타냅니다.

주의는 제품을 포함한 재산 상의 위험을 나타냅니다.

**제품에 있는 기호.** 다음 기호가 제품에 나타날 수 있습니다:



주의  
설명서 참조



보호용 접지  
(어스) 단자

## 배터리 재활용

본 제품에는 전용 리튬 배터리가 포함되어 있습니다. 배터리는 해당 지역의 규정에 따라 폐기합니다.

# Tektronix 연락처

전화 1-800-833-9200\*

주소 Tektronix, Inc.  
Department or name (if known)  
14200 SW Karl Braun Drive  
P.O. Box 500  
Beaverton, OR 97077  
USA

웹 사이트 [www.tektronix.com](http://www.tektronix.com)

판매 지원 1-800-833-9200, 1\* 을 선택합니다.

서비스 지원 1-800-833-9200, 1\* 을 선택합니다.

기술 지원 전자 우편 : [techsupport@tektronix.com](mailto:techsupport@tektronix.com)

1-800-833-9200, 3\* 을 선택합니다.

오전 6:00 - 오후 5:00 ( 태평양 시간 기준 )

---

\* 이 전화 번호는 북미에서는 무료입니다. 업무 시간 이후에는 북미 이외의 경우 Tektronix 영업 사무소나 총판에 문의하십시오. 사무소 목록은 Tektronix 웹 사이트를 참조하십시오.



# TDS2MEM 스토리지 메모리 및 통신 모듈 사용

TDS2MEM 스토리지 메모리 및 통신 모듈은 착탈식 유형 1 CompactFlash (CF) 카드 저장 메모리, RS-232 원격 프로그래밍 기능, RS-232 및 Centronics 프린터 출력 연결성을 TDS1000 또는 RDS2000 시리즈 오실로스코프에 추가합니다.

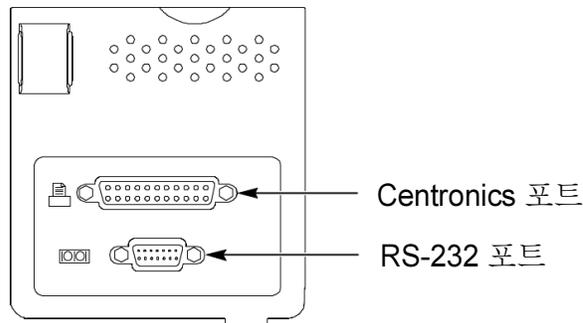
---

주. 이 모듈은 TDS200 시리즈 오실로스코프와 호환되지 않습니다.

---

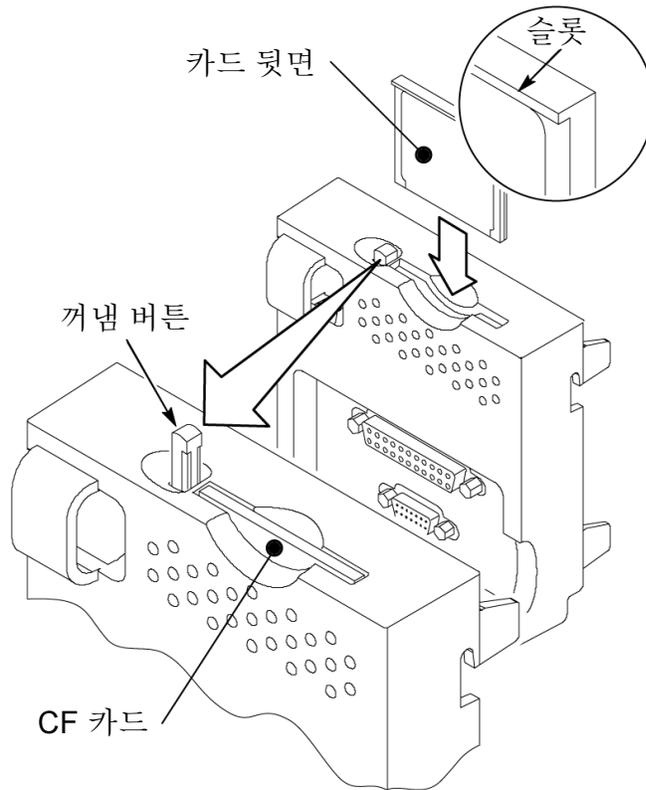
## 모듈 설치

모듈 설치 지침은 *TDS200-, TDS1000- and TDS2000-Series Extension Module Installation (TDS200, TDS1000 및 TDS2000 시리즈 확장 모듈 설치)* 시트를 참조하십시오. 다음 그림은 모듈 출력 단자를 보여줍니다.



## CompactFlash 카드 설치 및 제거

아래 그림과 같이 모듈 케이스에 닿을 때까지 유형 1 CompactFlash 카드를 슬롯에 끼워 넣습니다. CF 카드는 한 방향으로만 끼워 넣을 수 있습니다. CF 카드가 제 자리에 잘 들어가지 않으면, 빼낸 다음 다시 정확하게 끼워 넣으십시오.



카드를 빼내려면, 꺼냄 버튼을 눌러 버튼이 완전히 나올 때까지 꺼낸 다음 꺼냄 버튼을 다시 눌러 CF 카드를 슬롯에서 꺼냅니다. CF 카드를 모듈 슬롯에서 당깁니다.

## CompactFlash 카드 초기 판독 시간

CF 카드를 넣을 때마다 TDS2MEM 은 CF 카드의 내부 구조를 판독합니다. 판독을 완료하는 데 걸리는 시간은 CF 카드의 크기와 포맷 방법에 따라 다릅니다. 모듈에서 사용되는 64 MB 및 비교적 대용량의 CF 카드의 초기 판독 시간을 상당히 줄이려면 포맷 기능을 사용하여 CF 카드를 포맷하십시오 (유틸리티 ▶ 파일 유틸리티 ▶ 포맷).

## CompactFlash 카드 포맷팅

1. CF 카드를 모듈에 넣습니다.
2. **유틸리티** 전면 패널 버튼을 누릅니다.
3. **파일 유틸리티** 메뉴 옵션을 선택합니다.
4. **자세히** 메뉴 옵션을 선택하여 메뉴 페이지 2 를 표시합니다.
5. **포맷** 메뉴 옵션을 선택합니다.
6. 메뉴 옵션 **예** 를 선택하여 CF 카드를 포맷합니다. 포맷을 하면 CF 카드의 모든 데이터가 삭제됩니다.

## CompactFlash 카드 용량

다음은 CF 카드 메모리 1 MB 당 저장할 수 있는 유형별 파일의 대략적인 수입입니다.

- 5 개의 모두 저장 작업 (5 페이지의 *PRINT* 버튼을 사용하여 정보 저장 참조)
- 16 개의 화면 이미지 파일 (실제 용량은 선택한 이미지 포맷에 따라 달라짐) (7 페이지의 *파일*에 화면 이미지 저장 참조)

- 250 개의 오실로스코프 설정 (.set) 파일 ( 8 페이지의 *오실로스코프 설정 저장 참조* )
- 18 개의 파형 (.csv) 파일 ( 9 페이지의 *파형 파일 저장 참조* )

## 파일 관리 규약

- 오실로스코프는 파일을 쓰기 전에 CompactFlash 카드의 사용 가능한 공간을 확인하고, 쓰려는 파일에 대해 메모리가 부족하면 경고 메시지를 표시합니다.
- 본 설명서에서 사용되는 용어 폴더는 CF 카드 상의 디렉토리 위치를 의미합니다.
- 파일 저장 또는 호출의 기본 위치는 현재 폴더입니다.
- 루트 폴더는 A:\ 입니다.
- 장비의 전원을 켜거나, 오실로스코프의 전원을 켜 다음 CF 카드를 넣으면, 오실로스코프는 현재 폴더를 A:\ 로 재설정합니다.
- 파일 이름은 1~8 개의 문자로 구성되며, 뒤에 마침표와 1~3 개의 문자로 된 확장명이 붙습니다.
- PC 운영 체제에서 만들어진 긴 파일 이름은 운영 체제의 짧은 파일 이름을 사용하여 표시됩니다.
- 파일 이름은 대문자입니다.

## PRINT 버튼을 사용하여 정보 저장

다음 세 가지 기능 중 하나를 수행하도록 PRINT 버튼을 설정하려면 모두 저장 메뉴 ( 저장 / 호출 ▶ 실행 = 모두 저장 ) 를 사용합니다.

- 오실로스코프 정보를 한 폴더의 여러 개 파일에 자동으로 저장합니다.
- 화면 이미지를 파일에 저장합니다.
- 화면 이미지를 현재 프린터 포트에 인쇄합니다.

옵션	설정 또는 하위 메뉴	설명
PRINT 버튼	파일에 모두 저장	활성화된 모든 오실로스코프 정보 ( 파형 , 화면 이미지 , 설정 ) 를 현재 CF 카드 폴더의 새 하위 폴더의 파일에 저장하도록 PRINT 버튼을 설정합니다. 6 페이지의 파일에 모두 설정을 참조하십시오 .
	파일에 이미지 저장	화면 이미지를 CF 카드의 파일에 보내도록 PRINT 버튼을 설정합니다 .
	인쇄	화면 이미지를 현재 프린터 포트에 보내도록 PRINT 버튼을 설정합니다 .
폴더 선택		현재 CF 카드 폴더의 내용을 나열하고 다음 메뉴 항목을 표시합니다 .
	폴더 변경	14 페이지의 파일 및 폴더 관리를 참조하십시오 .
	새 폴더	
	뒤로	모두 저장 메뉴로 돌아갑니다 .
모두저장에 대해		이 작업에 대한 도움말 텍스트를 표시합니다 .

### 요점

**파일에 모두 저장.** PRINT 버튼을 파일에 모두 저장으로 설정하는 것이 버튼을 한 번 눌러 모든 현재 오실로스코프 정보를 파일에 저장할 수 있는 가장 빠르고 쉬운 방법입니다. PRINT 버튼을 누르면 새 폴더가 만들어지며 다음 표에 나열된 현재 장비 및 파일 형식 설정을 사용하여 다음 정보를 새 폴더의 개별 파일에 저장합니다.

신호원	파일 이름
CH(x)	FnnnnCHx.CSV, 여기에서 nnnn 은 자동으로 생성되는 번호이며 x 는 채널 번호입니다.
MATH	FnnnnMTH.CSV
Ref(x)	FnnnnRFx.CSV, 여기에서 x 는 기준 메모리 문자입니다.
화면 이미지	FnnnnTEK.???, 여기에서 ??? 는 현재 이미지 저장 파일 형식입니다.
설정	FnnnnTEK.SET

**.CSV 파일.** .CSV( 쉼표로 분리된 값 ) 파일에는 트리거에 상대적인 시간을 나열하는 ASCII 텍스트 문자열과 2,500 개의 파형 데이터 포인트 각각에 대한 전압값이 포함되어 있습니다. .csv 파일을 여러 스프레드시트 및 수학 분석 어플리케이션으로 가져올 수 있습니다.

**화면 이미지 파일.** 화면 이미지를 여러 스프레드시트 및 워드 프로세싱 어플리케이션으로 가져올 수 있습니다. 가져올 수 있는 이미지 파일의 종류는 사용자의 어플리케이션에 따라 다릅니다.

**.SET 파일.** SET 파일에는 오실로스코프 설정을 나열하는 ASCII 텍스트 문자열이 포함되어 있습니다.

## 파일에 화면 이미지 저장

오실로스코프 화면 이미지를 이름이 **TEKnnnn.???** 인 기본 파일에 저장하려면 이미지 저장 메뉴 ( 저장 / 호출 ▶ 실행 = 이미지 저장 ) 를 사용합니다 . 여기에서 ??? 은 지정된 그래픽 파일 형식입니다 . 화면 이미지를 여러 스프레드시트 및 워드 프로세싱 어플리케이션으로 가져올 수 있습니다 .

옵션	설정 또는 하위 메뉴	설명
파일 형식	BMP, PCX, TIFF, RLE, EPSIMAGE	화면 이미지 그래픽 파일 형식을 설정합니다 .
이미지 저장 정보		이 작업에 대한 도움말 텍스트를 표시합니다 .
폴더 선택		현재 <b>CF</b> 카드 폴더의 내용을 나열하고 다음 메뉴 항목을 표시합니다 .
	폴더 변경	<b>14</b> 페이지의 <i>파일 및 폴더 관리</i> 를 참조하십시오 .
	인쇄방향	세로 또는 가로 이미지 인쇄방향을 선택합니다 .
	잉크 절약 On, Off	잉크 절약 모드를 <b>On</b> 또는 <b>Off</b> 로 토글합니다 ( 컬러 모델에만 해당 ) .
	새 폴더	<b>14</b> 페이지의 <i>파일 및 폴더 관리</i> 를 참조하십시오 .
저장	파일 이름	화면 이미지를 현재 <b>CF</b> 카드 폴더에서 자동 생성된 파일 이름으로 저장합니다 .

## 오실로스코프 설정 저장

현재 오실로스코프 설정을 지정된 폴더 또는 비휘발성 설정 메모리에 파일 이름 TEKnmmn.SET 로 저장하려면 설정 저장 메뉴 ( 저장 / 호출 ▶ 실행 = 설정 저장 ) 를 사용합니다. 설정 파일에는 오실로스코프 설정을 나열하는 ASCII 텍스트 문자열이 포함되어 있습니다.

옵션	설정 또는 하위 메뉴	설명
저장 위치	설정	현재 오실로스코프 설정을 비휘발성 설정 메모리에 저장하도록 지정합니다.
	파일	현재 오실로스코프 설정을 CF 카드의 파일에 저장하도록 지정합니다.
설정	1 에서 10	비휘발성 설정 메모리 위치를 지정합니다.
폴더 선택		현재 CF 카드 폴더의 내용을 나열하고 다음 메뉴 항목을 표시합니다.
	폴더 변경	14 페이지의 <i>파일 및 폴더 관리</i> 를 참조하십시오.
	새 폴더	모두 저장 메뉴로 돌아갑니다.
저장		지정된 설정 메모리 위치를 저장합니다.
	파일 이름	설정을 현재 CF 카드 폴더에서 자동 생성된 파일 이름으로 저장합니다.

## 파형 파일 저장

지정된 파형을 파일 이름 **TEKnnnn.CSV** 또는 기준 메모리에 저장하려면 파형 저장 메뉴 (저장 / 호출 ▶ 실행 = 파형 저장) 를 사용합니다. 모듈은 파형 데이터를 콤마로 분리된 값 (.csv 형식) 으로 저장합니다. 이 값은 트리거에 상대적인 시간을 나열하는 ASCII 텍스트 문자열과 2,500 개의 파형 데이터 포인트 각각에 대한 전압값입니다. .csv 파일을 여러 스프레드시트 및 수학 분석 어플리케이션으로 가져올 수 있습니다.

옵션	설정 또는 하위 메뉴	설명
저장 위치	파일	신호원 파형 데이터를 CF 카드의 파일에 저장하도록 지정합니다.
	Ref	신호원 파형 데이터를 기준 메모리에 저장하도록 지정합니다.
신호원	CH(x), Ref(x), MATH	저장할 신호원 파형을 지정합니다.
저장 위치	Ref(x)	신호원 파형을 저장할 기준 메모리 위치를 지정합니다.
폴더 선택		현재 CF 카드 폴더의 내용을 나열하고 다음 메뉴 항목을 표시합니다.
	폴더 변경 새 폴더	14 페이지의 <i>파일 및 폴더 관리</i> 를 참조하십시오.
저장		파형을 지정된 기준 메모리에 저장합니다.
	파일 이름	파형 데이터를 현재 CF 카드 폴더에서 자동 생성된 파일 이름으로 저장합니다.

## 오실로스코프 설정 호출

파일 또는 메모리 위치에서 오실로스코프 설정을 로드하려면 설정 호출 메뉴 (저장 / 호출 ▶ 실행 = 설정 호출) 를 사용합니다.

옵션	설정 또는 하위 메뉴	설명
호출 위치	설정	오실로스코프 설정을 비휘발성 메모리에서 호출하도록 지정합니다.
	파일	오실로스코프 설정을 CF 카드의 파일에서 호출하도록 지정합니다.
설정	1 에서 10	오실로스코프 설정을 호출할 비휘발성 메모리를 지정합니다.
폴더 선택		파일을 선택할 현재 CF 카드 폴더의 내용을 나열하고 다음 메뉴 항목을 표시합니다.
	폴더 변경	14 페이지의 <i>파일 및 폴더 관리</i> 를 참조하십시오.
호출		비휘발성 메모리에서 설정을 호출합니다.
	파일 이름	지정된 CF 카드 파일에서 설정을 호출합니다.

## 파형 파일 호출

CF 카드 파일의 파형 데이터를 지정된 기준 메모리 위치에 호출하려면 파형 호출 메뉴 (저장 / 호출 ▶ 실행 = 파형 호출) 를 사용합니다.

옵션	설정 또는 하위 메뉴	설명
위치	Ref(x)	파형 데이터를 로드할 기준 메모리 위치를 지정합니다.
폴더 선택		파일을 선택할 현재 CF 카드 폴더의 내용을 나열하고 다음 메뉴 항목을 표시합니다.
	폴더 변경	14 페이지의 <i>파일 및 폴더 관리</i> 를 참조하십시오.
	Ref(x) 로	파형 데이터를 로드할 기준 메모리 위치를 지정합니다.
호출	파일 이름	지정된 파일의 파형을 기준 메모리에 로드합니다.

## 기준 파형 표시

지정된 기준 메모리 파형 표시의 On 또는 Off 를 토글하려면 Ref. 표시 메뉴 (저장 / 호출 ▶ 실행 = Refs 표시) 를 사용합니다.

옵션	설정 또는 하위 메뉴	설명
Ref(x)	On, Off)	지정된 기준 메모리 파형 표시의 On 또는 Off 를 토글합니다.

## 프린터 옵션 설정

프린터 파일 형식 및 포트 설정을 구성하려면 프린터 설정 메뉴 (유틸리티 ▶ 옵션 ▶ 프린터 설정) 를 사용합니다.

옵션	설정 또는 하위 메뉴	설명
PRINT 버튼		PRINT 버튼 설정에 대한 정보는 5 페이지를 참조하십시오.
인쇄 포트	Centronics, RS-232	오실로스코프를 프린터에 연결하는 데 사용하는 통신 포트
프린터 형식	Thinkjet, Deskjet, Laser Jet, Bubble Jet, Epson Dot, DPU411, DPU412, DPU3445, Epson C60, Epson C80, BMP, PCX, TIFF, RLE, EPSIMAGE	통신 포트에 연결된 프린터 종류. 이 메뉴 옵션은 PRINT 버튼이 인쇄로 설정되었을 때 활성화됩니다.
파일 형식	BMP, PCX, TIFF, RLE, EPSIMAGE	그래픽 이미지 파일 형식의 종류. 이 메뉴 옵션은 PRINT 버튼이 파일에 이미지 저장으로 설정되었을 때 활성화됩니다.
인쇄방향	세로방향, 가로방향	프린터 출력 방향
잉크 절약*	On, Off	화면을 흰색 배경에 검은색 이미지로 인쇄하는 것을 On 또는 Off 로 토글합니다. TDS2000 시리즈 오실로스코프에서만 사용할 수 있습니다.
인쇄 취소		화면 데이터를 프린터에 전송하는 것을 중지합니다.

## 날짜 및 시간 설정

시계 모듈의 날짜 및 시간을 설정하려면 날짜 및 시간 설정 메뉴 (유틸리티 ▶ 옵션 ▶ 날짜 및 시간 설정) 를 사용합니다. 모듈은 카드에 작성된 시간 소인 파일에 이 정보를 사용합니다. 모듈에는 시간 설정을 유지하기 위해 전용 배터리가 내장되어 있습니다.

옵션	설정	설명
↑ ↓		필드 선택 강조 표시를 목록 위 아래로 이동합니다. 트리거 레벨 높을 사용하여 선택된 필드의 값을 변경합니다.
날짜 및 시간 설정		지정된 날짜 및 시간 설정으로 모듈을 업데이트합니다.
취소		메뉴를 닫고 변경을 저장하지 않은 채 이전 메뉴로 돌아갑니다.

### 요점

**서머 타임 변경.** 모듈 시계 / 달력은 서머 타임 변경을 자동으로 조정하지 않습니다. 모듈은 윤년을 조정합니다.

## 파일 및 폴더 관리

다음을 수행하려면 파일 유틸리티 기능 (유틸리티 ▶ 파일 유틸리티) 을 사용합니다.

- 현재 폴더의 내용을 나열합니다.
- 파일이나 폴더를 선택합니다.
- 다른 폴더를 탐색합니다.
- 파일 및 폴더를 만들고, 이름을 변경하고 삭제합니다.
- CompactFlash 카드를 포맷합니다.

옵션	설명
폴더 변경	선택한 CF 카드 폴더를 탐색합니다. 수평 위치 높을 사용하여 파일이나 폴더를 선택한 다음 폴더 변경 메뉴 옵션을 눌러 선택한 폴더를 탐색합니다.  이전 폴더로 돌아가려면, 위로 폴더 항목을 선택하고 폴더 변경 메뉴 옵션을 누릅니다.
새 폴더	이름이 NEW_FOL 인 새 CF 카드 폴더를 현재 폴더 위치에 만들고, 기본 이름을 변경하는 파일 이름 변경 메뉴를 표시합니다.
(파일 이름 / 폴더) 삭제	선택한 파일 이름이나 폴더를 삭제합니다. 폴더를 삭제하기 전에 폴더를 비워야 합니다.
삭제 확인	삭제를 누른 다음 파일 삭제 실행을 확인하기 위해 표시됩니다. 삭제 확인 이외의 버튼이나 높을 누르면 파일 삭제 실행이 취소됩니다.
이름 변경	폴더나 파일의 이름을 변경하는 이름 변경 화면이 표시됩니다. 15 페이지의 <i>파일 및 폴더 이름 변경</i> 을 참조하십시오.

옵션	설정	설명
형식	예, 아니오	CompactFlash 카드를 포맷합니다. 포맷하면 CF 카드의 모든 데이터가 삭제됩니다.

## 파일 및 폴더 이름 변경

카드의 파일 및 폴더 이름을 변경하려면 이름 변경 화면 (유틸리티 ▶ 파일 유틸리티 ▶ 이름 변경) 을 사용합니다.

옵션	설정 또는 하위 메뉴	설명
문자 입력	A-Z 0-9 - .	강조 표시한 영숫자 문자를 현재 이름 필드 커서 위치에 입력합니다.
	백스페이스	메뉴 버튼 1 옵션을 백스페이스 기능으로 변경합니다. 이름 필드에서 강조 표시한 문자의 왼쪽 문자를 삭제합니다.
	문자 삭제	메뉴 버튼 1 옵션을 문자 삭제 기능으로 변경합니다. 강조 표시한 문자를 이름 필드에서 삭제합니다.
	이름 지우기	메뉴 버튼 1 옵션을 이름 지우기 기능으로 변경합니다. 모든 문자를 이름 필드에서 삭제합니다.

옵션	설정 또는 하위 메뉴	설명
← →		이름 필드 커서를 한 위치 단위로 왼쪽이나 오른쪽으로 이동합니다.
확인		폴더나 파일 이름을 이름 필드에 표시된 이름으로 변경합니다.
취소		이름 변경 실행을 취소하고 (폴더 또는 파일 이름을 변경하지 않음) 이전 메뉴로 돌아갑니다.

## RS-232 포트를 통한 프로그래밍 명령 사용

TDS2MEM 또는 RS-232 포트를 통한 오실로스코프 기능 제어에 대한 정보는 *TDS1000* 및 *TDS2000* 시리즈 디지털 스토리지 오실로스코프 사용 설명서의 *TDS2CMA* 통신 모듈 절을 참조하십시오. 명령 구문 정보는 *TDS1000* 및 *TDS2000* 시리즈 디지털 스토리지 오실로스코프 프로그래머 설명서 (Tektronix 부품 번호 : 071-1075-01) 를 참조하십시오.

## CompactFlash 카드 판독기 사용

사용자 PC 의 USB 포트에 CF 카드 판독기를 설치 , 구성 및 사용하려면 동봉한 CF 카드 판독기 설명서를 참조하십시오 . CF 카드 판독기를 사용하려면 USB 드라이버를 설치해야 합니다 .

Tektronix 는 동봉한 CF 카드 및 CF 카드 판독기를 삼 (3) 개월 동안 보증합니다 . 보증 정보는 본 설명서의 앞 부분을 참조하십시오 . 3 개월의 Tektronix 보증 기간이 지난 후 보증 또는 서비스를 받으려면 해당 항목의 개별 제조업체로 문의하십시오 .

# ユーザ・マニュアル

**Tektronix**

## TDS2MEM ストレージ・メモリおよび 通信モジュール

071-1262-00

このマニュアルでは、ファームウェアのバージョン  
FV:v6.00 以上をサポートしています。

[www.tektronix.com](http://www.tektronix.com)

Copyright © Tektronix, Inc. All rights reserved.

Tektronix 製品は、認定済みおよび申請中の米国およびその他の国の特許により保護されています。本書の内容は、すでに発行されている他の資料の内容に代わるものです。また、製品の仕様は予告なく変更させていただく場合がありますので、あらかじめご了承ください。

Tektronix, Inc., P.O. Box 500, Beaverton, OR 97077, USA

TEKTRONIX および TEK は Tektronix, Inc. の登録商標です。

CompactFlash は CompactFlash Association の登録商標です。

## TDS2MEM

### 保証規定

Tektronix では、当社が製造販売する製品において、認定された当社代理店による出荷の日から 3 年間、材料およびその仕上がりについて欠陥がないことを保証します。この保証期間内に製品または CRT に欠陥があると判明した場合、当社は、所定の保証報告書に基づき、修理または交換を行います。

修理の手続きまたは所定の保証報告書の入手方法については、当社の最寄の代理店にお問い合わせください。

**本要約内または適切な保証報告書に規定する場合を除き、当社は、商業性および特定目的に対する合致に関するあらゆる黙示的な保証など、明示または暗示を含むいかなる保証も行いません。当社は、いかなる場合においても、間接的損害、特別な損害、または付随的損害の責任を負いません。**

## 保証

### CompactFlash カードおよび CompactFlash リーダー

Tektronix では、当社が製造販売する部品、組み立て品、およびサプライ用品（「製品」）において、認定された当社代理店による出荷の日から3か月、材料およびその仕上がりについて欠陥がないことを保証します。この保証期間中に製品に欠陥があることが判明した場合、当社では、当社の裁量に基づき、部品および作業の費用を請求せずに当該欠陥製品を修理するか、あるいは当該欠陥製品の交換品を提供します。

カスタマが本保証に基づいてサービスを受けるためには、保証期間が満了する前に、当該欠陥について当社に通知し、サービス実施に関する適切な手配を行う必要があります。カスタマは、当該欠陥製品を梱包し、発送費用前払いで当社指定のサービスセンターに発送する責任があります。当社では、製品をカスタマへ返送する際、返送先が当社サービスセンターが置かれている国と同一の国にある場合には、その返送費用を支払うものとします。上記以外の場所に返送される製品については、カスタマにすべての発送費用、関税、税、その他の費用を支払う責任があります。

本保証は、不正な使用、あるいは不正または不適切な保守および取り扱いに起因するいかなる欠陥、故障、または損傷にも適用されないものとします。当社では、以下の場合、本保証書に基づくサービスを提供する義務はないものとします。a) 当社の担当者以外の者による、当該製品のインストール、修理、または保守点検の試行の結果生じた損傷に対する修理、b) 不正な使用、または互換性のない機器への不正な接続の結果生じた損傷に対する修理、c) 当社以外のサプライ用品の使用によって生じたすべての損傷または機能不全に対する修理、d) 製品が改造または他の製品と統合されていて、その改造または統合によって当該製品の保守点検の時間や困難さが増す場合の当該製品に対する保守点検。

**本保証は、明示的であるか黙示的であるかに無関係に、その他のすべての保証に代えて当社より提供されるものです。当社およびそのベンダは、商品性または特定目的に対する適合性のいかなる暗黙の保証も拒否します。欠陥製品を修理または交換するという当社の責任行為は、本保証の不履行に対してカスタマに提供される唯一の排他的な救済措置です。当社およびそのベンダは、当社またはベンダにそうした損害の可能性が前もって通知されていたかどうかにかかわらず、いかなる間接的損害、特別な損害、付随的損害、または結果的損害に対しても責任を負いません。**

## 安全にご使用いただくために

人体への損傷を避け、本製品やこれに接続されている製品への損傷を防止するために、次の安全性に関する注意をよく読んでください。

安全にご使用いただくために、本製品の指示に従ってください。

資格のあるサービス担当者のみ、保守点検手順を実行する必要があります。

### 火災や人体への損傷を避けるには

**本製品を接地してください** 本製品は、メインフレーム電源ケーブルのグラウンド線を使って間接的に接地します。感電を避けるため、グラウンド線をアースに繋げる必要があります。本製品の出力端子に接続する前に、製品が正しく接地されていることを確認してください。

**すべての端子の定格に従ってください** 火災や感電の危険を避けるために、本製品のすべての定格とマーキングに従ってください。本製品に電源を接続する前に、定格の詳細について、製品マニュアルを参照してください。

共通端子はグラウンド電位になっています。共通端子は高電圧には接続しないでください。

**カバーを外した状態で動作させないでください** カバーやパネルを外した状態で本製品を動作させないでください。

**回路の露出を避けてください** 電源がオンのときに、露出した接地部分やコンポーネントに触れないでください。

**障害の疑いがあるときは動作させないでください** 本製品に損傷の疑いがある場合、資格のあるサービス担当者に検査を依頼してください。

**湿気の多いところで動作させないでください。**

**爆発しやすい環境で動作させないでください。**

**製品表面を清潔で乾燥した状態に保ってください。**

## 記号と用語

**本マニュアル内の用語** 本マニュアルでは、次の用語を使用します。



**警告** 「警告」では、怪我や死亡の原因となる状態や行為を示します。

---



**注意** 「注意」では、本製品やその他の資産に損害を与える状態や行為を示します。

---

**本製品に関する用語** 本製品では、次の用語を使用します。

「危険」のマーキングが表示されている場合、負傷を負う危険が切迫していることを示します。

「警告」のマーキングが表示されている場合、負傷を負う可能性があることを示します。

「注意」のマーキングが表示されている場合、本製品を含む資産に損害が生じる可能性があることを示します。

**本製品に関する記号** 本製品では、次の用語を使用します。



注意

マニュアルを参照



保護接地

(アース) 端子

## バッテリーのリサイクル

本製品には交換式ではないリチウム・バッテリーが含まれています。バッテリーの廃棄については、お住まいの地域の規則に従ってください。

# Tektronix 連絡先

電話番号	1-800-833-9200*
住所	Tektronix, Inc. 部署名（担当部署名がわかる場合） 14200 SW Karl Braun Drive P.O. Box 500 Beaverton, OR 97077 USA
Web サイト	<a href="http://www.tektronix.com">www.tektronix.com</a>
営業サポート	1-800-833-9200、オプション 1 を選択 *
サービス・サポート	1-800-833-9200、オプション 1 を選択 *
テクニカル・サポート	電子メール : <a href="mailto:techsupport@tektronix.com">techsupport@tektronix.com</a> 1-800-833-9200、オプション 3 を選択 * 午前 6:00 ~ 午後 5:00（太平洋標準時）

---

\* この電話番号は北米でのフリーダイヤルです。営業時間外の場合は、ボイス・メールにメッセージを録音してください。北米以外からの場合は、Tektronix の営業所または代理店にお問い合わせください。営業所のリストについては、Tektronix のホームページを参照してください。



# TDS2MEM ストレージ・メモリおよび通信モジュールを使用する

TDS2MEM ストレージ・メモリおよび通信モジュールは、TDS1000 シリーズまたは TDS2000 シリーズのオシロスコープに対して、取り外し可能な Type I CompactFlash (コンパクトフラッシュ) カード・ストレージ・メモリ、RS-232 リモート・プログラミング機能、RS-232 およびセントロニクス・プリンタ出力の接続を追加します。

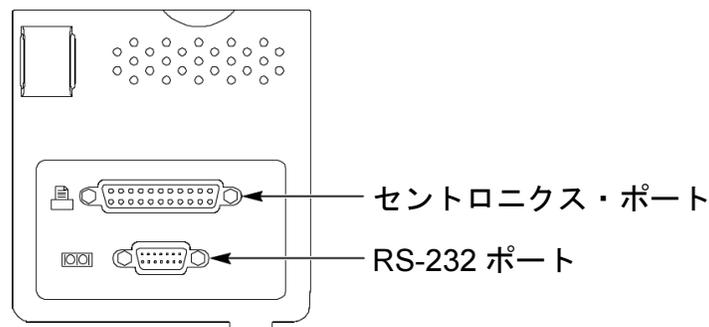
---

**注** このモジュールには、TDS200 シリーズのオシロスコープとの互換性はありません。

---

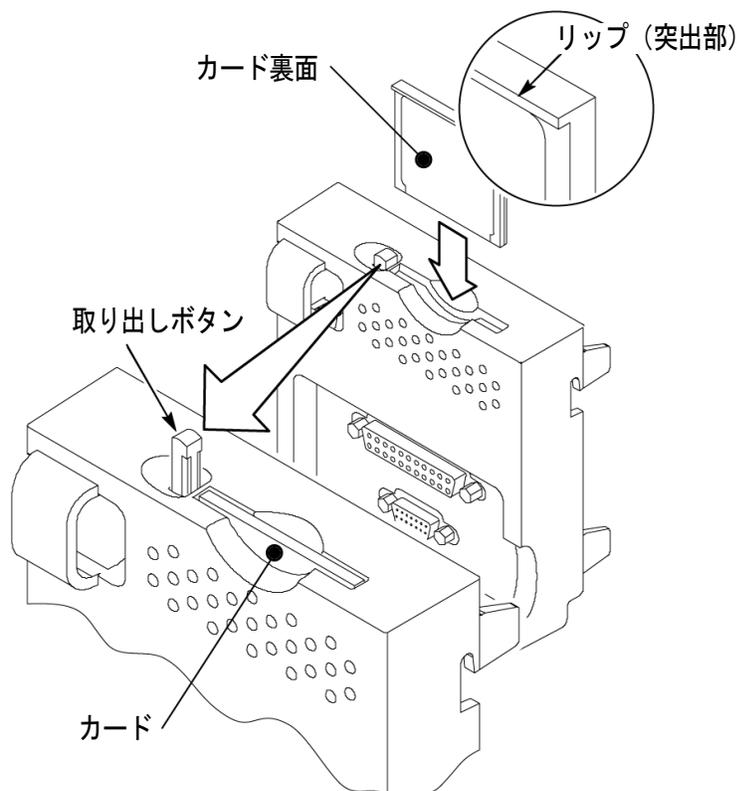
## モジュールのインストール

モジュールのインストール手順については、TDS200 シリーズ、TDS1000 シリーズ、および TDS2000 シリーズの『*Extension Module Installation*』シートを参照してください。次の図は、モジュールの出力ポートを示しています。



## CompactFlash カードの取り付けと取り外し

次の図のように、Type I CompactFlash カードをスロットに差し込み、モジュール・ケースと同一面になるまで挿入します。CF カードは、一方向のみに挿入できるようになっています。CF カードがうまく差し込めない場合には、取り出して正しく挿入し直してください。



CompactFlash カードを取り出すには、取り出しボタンが完全に伸びるまでボタンを一度押し、次にもう一度取り出しボタンを押して、CF カードをスロットから外します。その後、CF カードをモジュール・スロットから引き抜きます。

## CompactFlash カードの初期読み取り時間

TDS2MEM は、CF カードを挿入するたびに CF カードの内部構造を読み取ります。読み取りが完了するまでの時間は、CF カードのサイズとフォーマット方法によって異なります。TDS2MEM モジュールで使用される 64 MB 以上の CF カードの初期読み取り時間を大幅に短縮するには、TDS2MEM のフォーマット機能を使用して、CF カードをフォーマットします ([UTILITY] ▶ [ユーティリティ] ▶ [出力形式])。

## CompactFlash カードをフォーマットする

1. CF カードをモジュールに挿入します。
2. [UTILITY] 前面パネルボタンを押します。
3. [ユーティリティ] メニュー・オプションを選択します。
4. [More] メニュー・オプションを選択して、2 番目のメニューページを表示します。
5. [出力形式] メニュー・オプションを選択します。
6. [はい] メニュー・オプションを選択して CF カードをフォーマットします。フォーマットを行うと、CF カード上のすべてのデータが削除されます。

## CompactFlash カードの容量

ここでは、CF カードメモリ 1 MB ごとに記憶できるファイルの概算数を種類別に示します。

- 5 回の Save All 操作 (5 ページの「[PRINT Button] を使用して情報を保存する」を参照)
- 16 個の波形表示ファイル (実際の容量は選択したイメージフォーマットによって異なります) (7 ページの「波形の表示をファイルに保存する」を参照)

- 250 個のオシロスコープ設定 (.set) ファイル (8 ページの「オシロスコープ設定を保存する」を参照)
- 18 個の波形 (.csv) ファイル (9 ページの「波形ファイルを保存する」を参照)

## ファイル管理における規則

- オシロスコープでは、CompactFlash カードで利用可能な容量がチェックされてからファイルが書き込まれます。書き込み中のファイルに対して十分なメモリがない場合には、警告メッセージが表示されます。
- このマニュアルで使用するフォルダという用語は、CF カード上のディレクトリ位置のことです。
- ファイルの保存または呼出場所のデフォルトは、現在のフォルダです。
- ルート・フォルダは A:\ です。
- オシロスコープの電源投入時、またはオシロスコープの電源投入後の CF カードの挿入時には、オシロスコープは現在のフォルダを A:\ にリセットします。
- ファイル名は 1 ～ 8 文字であり、その後にピリオド、および 1 ～ 3 文字の拡張子が続きます。
- PC のオペレーティング・システム上で作成された長いファイル名は、PC オペレーティング・システムで使用される短縮ファイル名で表示されます。
- ファイル名は大文字です。

## [PRINT Button] を使用して情報を保存する

次の3つの機能のいずれかを行うには、[Save All] メニュー（[保存 / 呼出し] ▶ [アクション] ボタンを押して [Save All] を選択）を使用して、[PRINT Button] を設定します。

- オシロスコープ情報を1つのフォルダ内の複数のファイルに自動的に保存する。
- 波形の表示をファイルに保存する。
- 波形の表示を現在のプリンタポートに印刷する。

オプション	設定またはサブメニュー	備考
[PRINT Button]	[全保存]	オシロスコープのアクティブなすべての情報（波形、波形の表示、設定）を、現在のCFカードのフォルダ内の新しいサブフォルダのファイルに保存するように印刷ボタンを設定します。6ページの「全保存」を参照してください。
	[画像保存]	波形表示をCFカード上のファイルに送信するように印刷ボタンを設定します。
	[印刷]	波形表示を現在のプリンタ・ポートに送信するように印刷ボタンを設定します。
[フォルダ選択]		現在のCFカードのフォルダの内容をリストし、次のメニュー項目を表示します。
	[フォルダ変更]	14ページの「ファイルとフォルダを管理する」を参照してください。
	[新規フォルダ]	
	[戻る]	[Save All] メニューに戻ります。
[全保存について]		この作業のヘルプ・テキストを表示します。

## 解説

**[全保存]** [PRINT Button] を [全保存] に設定することは、1回のボタン操作で現在のオシロスコープ情報すべてをファイルに保存する、手早く簡単な方法です。[PRINT Button] を押すと、新しいフォルダが作成され、現在の機器とファイル・フォーマット設定を使用して次の表に示す情報がそのフォルダの別々のファイルに保存されます。

ソース	ファイル名
CH(x)	FnnnnCHx.CSV、nnnn は自動生成される数字であり、x はチャンネル番号です。
MATH	FnnnnMTH.CSV
Ref(x)	FnnnnRFx.CSV、x はリファレンス・メモリ文字です。
波形の表示	FnnnnTEK.???, ??? は現在の波形の保存ファイル・フォーマットです。
設定	FnnnnTEK.SET

**.CSV ファイル** .CSV (カンマ区切りの値) ファイルには、2500個の波形データ・ポイントそれぞれの時間 (トリガに相対的) と電圧値を示す ASCII テキストストリングが含まれます。.csv ファイルは、多くのスプレッドシートおよび演算分析アプリケーションにインポートできます。

**波形の表示ファイル** 波形の表示ファイルは、多くのスプレッドシートおよび文書処理アプリケーションにインポートできます。インポートできるイメージ・ファイルの種類は、アプリケーションによって異なります。

**.SET ファイル** SET ファイルには、オシロスコープ設定の ASCII テキスト・ストリング・リストが含まれます。

## 波形の表示をファイルに保存する

[Save Image] メニュー ([保存 / 呼出し] ▶ [アクション] ボタンを押して [画像保存] を選択) を使用すると、TEKnnnn.??? というデフォルト・ファイルにオシロスコープ波形の表示を保存できます。ファイル名の ??? は、指定されたグラフィックス・ファイル・フォーマットです。波形の表示ファイルは、多くのスプレッドシートおよび文書処理アプリケーションにインポートできます。

オプション	設定またはサブメニュー	備考
[File Format]	[BMP]、[PCX]、 [TIFF]、[RLE]、 [EPSIMAGE]	波形の表示グラフィックス・ファイル・フォーマットを設定します。
[画像保存について]		この作業のヘルプ・テキストを表示します。
[フォルダ選択]		現在のCFカードのフォルダの内容をリストし、次のメニュー項目を表示します。
	[フォルダ変更]	14 ページの「ファイルとフォルダを管理する」を参照してください。
	[レイアウト]	イメージ・レイアウトの縦向きまたは横向きを選択します。
	[節約オン]、 [オフ]	インク・セーバ・モードのオンまたはオフをトグルします (カラー・モデルのみ)。
	[新規フォルダ]	14 ページの「ファイルとフォルダを管理する」を参照してください。
[保存]	ファイル名	波形の表示を、現在の CF カードのフォルダに自動的に生成されたファイル名に保存します。

## オシロスコープ設定を保存する

[Save Setup] メニュー ([保存/呼出し] ▶ [アクション] ボタンを押して [設定保存] を選択) を使用すると、現在のオシロスコープの設定を、指定したフォルダ内または不揮発性設定メモリ内に TEKnnnn.SET というファイル名で保存できます。設定ファイルには、オシロスコープ設定を示す ASCII テキストストリングが含まれています。

オプション	設定またはサブメニュー	備考
[保存先]	[メモリ]	現在のオシロスコープ設定を不揮発性設定メモリに保存すると指定します。
	[ファイル]	現在のオシロスコープ設定をCFカード上のファイルに保存すると指定します。
[メモリ]	1 ~ 10	不揮発性メモリの位置を指定します。
[フォルダ選択]		現在のCFカードのフォルダの内容をリストし、次のメニュー項目を表示します。
	[フォルダ変更]	14 ページの「ファイルとフォルダを管理する」を参照してください。
	[新規フォルダ]	[Save All] メニューに戻ります。
[保存]		指定した設定メモリ位置に設定を保存します。
	ファイル名	設定を、現在のCFカードのフォルダに自動的に生成されたファイル名に保存します。

## 波形ファイルを保存する

[Save WFM] メニュー ([保存/呼出し] ▶ [アクション] ボタンを押して [Save WFM] を選択) を使用すると、指定した波形を TEKnnnn.CSV というファイルまたはリファレンス・メモリに保存できます。モジュールは波形データをカンマ区切りの値 (.csv フォーマット) としてファイルに保存します。データは、2500 個の波形データ・ポイントそれぞれに対する時間 (トリガに相対する) と電圧値をリストする ASCII テキスト・ストリングです。 .csv ファイルは、多くのスプレッドシートおよび演算分析アプリケーションにインポートできます。

オプション	設定またはサブメニュー	備考
[保存先]	[ファイル]	ソース波形データをCFカード上のファイルに保存すると指定します。
	[Ref]	ソース波形データをリファレンス・メモリ内に保存すると指定します。
[ソース]	CH(x)、Ref(x)、MATH	どのソース波形を保存するのかを指定します。
[保存先]	Ref(x)	ソース波形を保存する先のリファレンス・メモリ位置を指定します。
[フォルダ選択]		現在のCFカードのフォルダの内容をリストし、次のメニュー項目を表示します。
	[フォルダ変更]	14 ページの「ファイルとフォルダを管理する」を参照してください。
	[新規フォルダ]	
[保存]		指定されたリファレンス・メモリに波形を保存します。
	ファイル名	波形データを、現在のCFカードのフォルダに自動的に生成されたファイル名に保存します。

## オシロスコープ設定を呼出す

[Recall Setup] メニュー ([保存 / 呼出し] ▶ [Action] ボタンを押して [設定呼出] を選択) を使用すると、ファイルまたはメモリからオシロスコープ設定情報をロードできます。

オプション	設定またはサブメニュー	備考
[呼出元]	[メモリ]	不揮発性メモリからオシロスコープ設定を呼出すと指定します。
	[ファイル]	CFカード上のファイルからオシロスコープ設定を呼出すと指定します。
[メモリ]	1 ~ 10	オシロスコープ設定を呼出す不揮発性メモリを指定します。
[フォルダ選択]		ファイルを選択する現在の CF カードのフォルダの内容をリストし、次のメニュー項目を表示します。
	[フォルダ変更]	14 ページの「ファイルとフォルダを管理する」を参照してください。
[呼出]		不揮発性メモリから設定を呼出します。
	ファイル名	指定された CF カードのファイルから設定を呼出します。

## 波形ファイルを呼出す

[Recall WFM] メニュー（[保存/呼出し] ▶ [アクション] ボタンを押して [波形呼出] を選択）を使用すると、CF カードのファイルの波形データを指定したリファレンス・メモリ位置にロードできます。

オプション	設定またはサブメニュー	備考
[宛先]	Ref(x)	波形データをロードする先のリファレンス・メモリ位置を指定します。
[フォルダ選択]		ファイルを選択する現在の CF カードのフォルダの内容をリストし、次のメニュー項目を表示します。
	[フォルダ変更]	14 ページの「ファイルとフォルダを管理する」を参照してください。
	[宛先 Ref(x)]	波形データをロードする先のリファレンス・メモリ位置を指定します。
[呼出]	ファイル名	指定したファイルの波形データをリファレンス・メモリにロードします。

## リファレンス波形を表示する

[Ref 表示] メニュー（[保存/呼出し] ▶ [アクション] ボタンを押して [Ref 表示] を選択）を使用すると、指定したリファレンス・メモリ波形の表示をオンまたはオフにトグルすることができます。

オプション	設定またはサブメニュー	備考
Ref(x)	[オン]、[オフ]	指定したリファレンス・メモリ波形の表示のオン/オフをトグルします。

## プリンタオプションを設定する

[ プリンタ設定 ] メニュー ([UTILITY] ▶ [Options] ▶ [ プリンタ設定 ]) を使用すると、プリンタのファイル・フォーマットとポート設定を設定できます。

オプション	設定またはサブメニュー	備考
[PRINT Button]		[PRINT Button] 設定の詳細については 5 ページを参照してください。
[Printer Port]	[Centronics]、[RS-232]	オシロスコープをプリンタに接続するために使用する通信ポート
[Printer Format]	[Thinkjet]、[Deskjet]、[Laser Jet]、[Bubble Jet]、[Epson Dot]、[DPU411]、[DPU412]、[DPU3445]、[Epson C60]、[Epson C80]、[BMP]、[PCX]、[TIFF]、[RLE]、[EPSIMAGE]	通信ポートに接続されたプリンタの種類。このメニュー・オプションは、[PRINT Button] が [印刷] に設定されるとアクティブになります。
[File Format]	[BMP]、[PCX]、[TIFF]、[RLE]、[EPSIMAGE]	グラフィックス・イメージ・ファイル・フォーマットの種類。このメニュー・オプションは、[PRINT Button] が [画像保存] に設定されるとアクティブになります。
[レイアウト]	[縦向き]、[横向き]	プリンタ出力の方向
[節約]*	[オン]、[オフ]	白い背景色に黒いイメージとしてスクリーンを印刷するかどうかをオン / オフでトグルします。TDS2000 シリーズのオシロスコープのみで利用可能です。
[プリント中止]		スクリーン・データのプリンタへの送信を中止します。

## 日付と時刻を設定する

[日時の設定]メニュー ([UTILITY] ▶ [Options] ▶ [日時の設定]) を使用すると、モジュール・クロックの日付と時刻を設定できます。モジュールは、この情報を使用してタイム・スタンプ・ファイルをカードに書き込みます。モジュールには、クロック設定を維持する交換式ではないバッテリーが含まれています。

オプション	設定	備考
↑ ↓		フィールド選択のハイライトをリストの上下に移動します。TRIGGER LEVELノブを使用して選択したフィールドの値を変更します。
[日時の設定]		指定した日付と時間の設定でモジュールを更新します。
[Cancel]		メニューを閉じて変更を保存せずに前のメニューに戻ります。

### 解説

**季節に応じた時間の変更** モジュールのクロック / カレンダーは、季節による時間変更の自動調整は行いません。うるう年の調整は行います。

## ファイルとフォルダを管理する

[ユーティリティ] 機能 ([UTILITY] ▶ [ユーティリティ]) を使用すると、以下を行うことができます。

- 現在のフォルダの内容をリストする。
- ファイルまたはフォルダを選択する。
- 他のフォルダにナビゲートする。
- ファイルまたはフォルダの作成、名前変更、削除を行う。
- CompactFlash カードをフォーマットする。

オプション	備考
[フォルダ変更]	<p>選択した CF カードのフォルダにナビゲートします。水平位置ノブを使用してファイルまたはフォルダを選択してから、[フォルダ変更]メニューのオプションを押して選択したフォルダにナビゲートします。</p> <p>以前のフォルダに戻るには、Up フォルダ項目を選択してから、[フォルダ変更]メニューのオプションを押します。</p>
[新規フォルダ]	現在のフォルダ位置に NEW_FOL という新しい CF カードのフォルダを作成してから、デフォルト名を変更するためにファイルの [名前変更]メニューを表示します。
[削除] (ファイル名 / フォルダ)	選択したファイルまたはフォルダを削除します。フォルダは削除する前にその中を空にする必要があります。
[削除の確認]	[削除] を押した後、ファイル削除アクションを確認するために表示されます。[削除の確認] 以外のボタンまたはノブを押すと、ファイル削除アクションはキャンセルされます。
[名前変更]	フォルダまたはファイルの名前を変更する [名前変更] スクリーンを表示します。詳細は、15 ページの「ファイルとフォルダの名前を変更する」を参照してください。

オプション	設定	備考
[出力形式]	[はい]、 [いいえ]	CompactFlash カードをフォーマットします。フォーマットはCF カード上のすべてのデータを削除します。

## ファイルとフォルダの名前を変更する

[名前変更] スクリーン ([UTILITY] ▶ [ユーティリティ] ▶ [名前変更]) を使用すると、CompactFlash カードのファイルとフォルダの名前を変更できます。

オプション	設定またはサブメニュー	備考
[キャラクタ 入力]	A～Z 0～9	現在の [名前] フィールドカーソル位置に、ハイライトされた英数字を入力します。
	-	水平位置ノブを使用して、英数字か、[後退]、[文字削除]、または [名前のクリア] 機能を選択します。
	[後退]	メニューボタン1オプションを [後退] 機能に変更します。[名前] フィールドにあるハイライトされた文字の左側にある文字を削除します。
	[文字削除]	メニューボタン1オプションを [文字削除] 機能に変更します。[名前] フィールドからハイライトされた文字を削除します。
	[名前のクリア]	メニューボタン1オプションを [名前のクリア] に変更します。[名前] フィールドからすべての文字を削除します。

オプション	設定またはサブメニュー	備考
← →		[名前]フィールドのカーソルを1文字分左または右に移動します。
[OK]		フォルダのファイル名を[名前]フィールドに表示されているものに変更します。
[Cancel]		名前変更アクションをキャンセルし（フォルダまたはファイル名の変更を行わず）、以前のメニューに戻ります。

## RS-232 ポート経由でプログラミング・コマンドを使用する

RS-232 ポートを経由して TDS2MEM またはオシロスコープ機能を制御する詳細については、TDS1000 シリーズおよび TDS2000 シリーズの『デジタルストレージオシロスコープ・ユーザ・マニュアル』の「TDS2CMA Communications Module」セクションを参照してください。コマンド・シンタックス情報の詳細については、TDS1000 シリーズおよび TDS2000 シリーズの『デジタル・ストレージ・オシロスコープ・プログラマ・マニュアル』(Tektronix 部品番号 071-1075-01) を参照してください。

## CompactFlash カード・リーダーを使用する

PC の USB ポートに対して、CF カード・リーダーのインストール、設定、および使用を行うには、同梱されている CF カード・リーダーのマニュアルを参照してください。CF カード・リーダーを使用するには、USB ドライバのインストールが必要な場合があります。

当社では、CF カードおよび CF カード・リーダーを 3 か月間保証します。具体的な保証情報については、このマニュアルの冒頭部分を参照してください。3 か月間の Tektronix 保証期間経過後は、保証またはサービスのサポートに関するこれらの項目については、それぞれの製造元にお問い合わせください。

# 用户手册



**TDS2MEM**

**内存和  
通信模块**

**071-1262-00**

本文档支持 FV:v6.00 和更高版本的固件。

**[www.tektronix.com](http://www.tektronix.com)**

Tektronix Inc. © 版权所有，保留所有权利。

泰克公司产品受美国和其它国家专利权的保护，包括已取得的和正在申请的专利。本文中的信息将取代所有以前出版资料中的信息。保留更改产品规格和价格的权利。

Tektronix, Inc., P.O. Box 500, Beaverton, OR 97077, USA

TEKTRONIX 和 TEK 是 Tektronix, Inc. 的注册商标。

CompactFlash 是 “CompactFlash 协会” 的注册商标。

## **保修概要 TDS2MEM**

泰克公司保证所生产和销售的产品，从泰克公司授权分销商发货日期开始的三 (3) 年期间，不会出现材料和工艺上的缺陷。如果产品或阴极射线管在保修期内确有缺陷，则泰克公司将按照完整的保修声明所述，提供修理或更换服务。

若需要服务或索取保修声明的完整副本，请与最近的泰克公司销售和服务办事处联系。

**除此概要或适用的保修声明中提供的保修之外，泰克公司不作任何形式的、明确的或暗示的保修保证，包括但不限于对适销性和特殊目的适用性的暗含保修。泰克公司对间接的、特殊的或由此产生的损坏概不负责。**

## 保修

### CompactFlash 卡和 CompactFlash 阅读器

泰克公司保证在从发货之日起的三 (3) 个月内，所生产和销售的部件、组件和成品（“产品”）没有材料和工艺上的缺陷。如果产品在保修期内经证明是有缺陷的，泰克公司可以选择修理此有缺陷的产品而不收取零件和人工的费用，或者提供替代品来替换有缺陷的产品。

为了获得属于此担保的服务，“用户”必须在保修期满之前向泰克公司通报该缺陷并对服务做适当的安排。“用户”应该负责包装产品，将有缺陷的产品送到泰克公司指定的服务中心，并且支付运输费用。如果发货到泰克公司服务中心所在国家之内，泰克公司支付将产品返还给“用户”的费用。“用户”应负责支付将产品返还到任何其他地点所需的所有的运输费、关税、税款以及任何其他费用。

此保修不适用于任何由不正确使用，或者不正确以及不适宜的维护和养护所引起的缺陷、故障或损害。根据此担保，泰克公司没有义务提供以下服务：a) 修理由泰克公司代表以外的人员安装、修理或者保养该产品所引起的损坏； b) 修理由不正确使用或者连接到不兼容设备所引起的损坏； c) 修理任何由于使用非泰克公司产品所引起的损坏或者故障；或者 d) 维护已经被修改或者与其他产品集成的产品，如果修改或者集成的结果使得维护该产品的的时间或者难度增加。

**这项保修由泰克公司订立，用于替代任何其他明示或暗示的保修。泰克公司以及供应商不承担任何用于特殊目的的对适销性或适用性的暗示担保。作为仅有且唯一的违反本担保对“用户”的补偿，泰克公司承担的责任是，修理或更换有缺陷的产品。泰克公司和卖主对任何间接的、特殊的、偶然的或后续的损失概不负责，无论是否预先通知了上述损坏的可能性。**

# 一般安全性概要

了解下列安全性预防措施，可以避免受伤，并防止损坏本产品或与本产品相连接的任何产品。

为避免可能的危险，请务必按照规定使用本产品。

*只能由合格人员进行维修。*

## 避免起火或人身伤害

**将产品接地。**本产品通过主机电源线的接地线间接接地。为避免电击，接地线必须与大地相连。在连接本产品的输入或输出终端之前，请务必将本产品正确接地。

**查看所有终端额定值。**为避免起火或受到电击，请查看产品上所有额定值和标记。请在连接产品前查阅产品手册以了解额定值的详细信息。

公共终端是接地电位。不要将公共终端与较高电压相连接。

**请勿开盖操作。**请勿在打开外盖或面板时对本产品进行操作。

**避免电路外露。**电源接通后请勿接触外露的接线和元件。

**怀疑产品出现故障时，请勿进行操作。**如果怀疑产品已损坏，请由有合格的维修人员进行检查。

**请勿在潮湿环境下操作。**

**请勿在易燃易爆的环境下操作。**

**请保持产品表面的清洁和干燥。**

### 标志和术语

**本手册中的术语。**以下条款可能出现在本手册中：



---

**警告。**警告性声明指出可能会危害生命安全的条件和行为。

---



---

**注意。**注意性声明指出可能导致本产品和其它财产损坏的条件和行为。

---

**产品上的术语。**以下术语可能出现在产品上：

DANGER（危险）表示在您读取此标记时可能会立即对您造成伤害。

WARNING（警告）表示在您读取此标记时可能不会立即对您造成伤害。

CAUTION（注意）表示可能会对本产品或其它财产造成损害。

**产品上的符号**以下符号可能出现在产品上：



注意  
请参阅手册



保护性  
接地端

### 电池回收

该产品包含一个不可更换的锂电池。请依照当地的规定正确地处理废弃的电池。

# 泰克公司联系信息

<b>电话</b>	1-800-833-9200*
<b>地址</b>	Tektronix, Inc. 的部门或姓名（如果知道） 14200 SW Karl Braun Drive P.O. Box 500 Beaverton, OR 97077 USA
<b>网址</b>	<a href="http://www.tektronix.com">www.tektronix.com</a>
<b>销售支持</b>	1-800-833-9200, 请选择选项 1*
<b>服务支持</b>	1-800-833-9200, 请选择选项 1*
<b>技术支持</b>	电子邮件: <a href="mailto:techsupport@tektronix.com">techsupport@tektronix.com</a>  1-800-833-9200, 请选择选项 3* 太平洋时间上午 6:00 至下午 5:00

---

\* 在北美地区, 可免费拨打此电话。如果是在办公时间之后拨打, 请留言。  
如果是北美以外地区, 请与泰克公司经销处或分销商联系; 访问泰克公司网站可获得办事处的详细列表。



# 使用 TDS2MEM 存储器和通信模块

TDS2MEM 存储器和通信模块可以为您的 TDS1000- 或者 TDS2000- 系列示波器添加可移动的 1 类 CompactFlash (CF) 卡存储器、RS-232 远程编程能力以及 RS-232 和 Centronics 打印机输出的连通性。

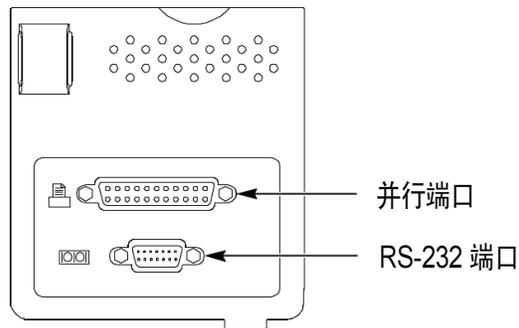
---

**注释。** 此模块与 TDS200- 系列示波器不兼容。

---

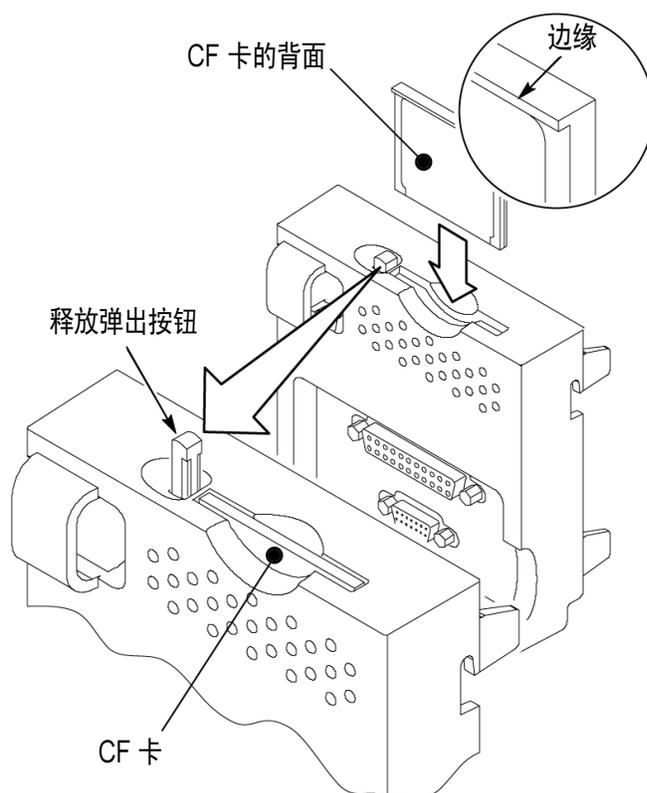
## 安装模块

有关模块安装说明，请参阅 *TDS200-*、*TDS1000-* 以及 *TDS2000-* 系列扩充模块安装表格。下图说明 TDS2MEM 模块输出端口。



## 安装以及拆卸 CompactFlash 卡

如下所示，将 1 类 CompactFlash 卡插入槽中，直到该卡与模块箱齐平为止。CF 卡只能以一种方法插入。如果不能顺利插入 CF 卡，拆卸然后按正确方法重新插入。



要卸下 CompactFlash 卡，按下并释放弹出按钮直到该按钮完全弹出，然后再次按下弹出按钮将 CF 卡从槽中取出。将 CF 卡从模块插槽中取出。

## CompactFlash 卡初始读取时间

TDS2MEM 在您每次插入 CF 卡时读取其内部结构。完成读取的时间取决于 CF 卡的大小及其格式。要显著地缩短用于 TDS2MEM 模块的 64 MB 字节和更大的 CF 卡的初始读取时间，用 TDS2MEM 格式功能 [UTILITY (辅助功能) ▶ 文件功能 ▶ 格式化] 格式化 CF 卡。

## 格式化 Compactflash 卡

1. 将 CF 卡插入到该模块中。
2. 按下 **UTILITY (辅助功能)** 前面板按钮。
3. 选择 **“文件功能”** 菜单选项。
4. 选择 **“更多”** 菜单选项以显示第 2 页菜单。
5. 选择 **“格式化”** 菜单选项。
6. 选择 **“是”** 菜单选项格式化 CF 卡。格式化将删除所有的 CF 卡上的数据。

## CompactFlash 卡的容量

以下是 CF 卡存储器每兆字节针对各类型可以存储的大约的文件数。

- 5 全储存操作 (请参阅 5 页上的 *使用打印钮保存信息*)
- 16 个屏幕图象文件 (实际容量取决于选择的图象格式) (请参阅 7 页上的 *将屏幕图象保存为文件*)

- 250 个示波器设置 (.set) 文件（请参阅 8 页的 *保存示波器设置*）
- 18 个波形 (.csv) 文件（请参阅 9 页上的 *保存波形文件*）

## 文件管理惯例

- 示波器检查 CompactFlash 卡上的可用空间，然后向其写入文件，如果没有足够的内存可以写入文件，则显示警告信息。
- 本手册使用的术语文件夹涉及 CF 卡上的一个目录位置。
- 缺省文件保存或调出位置是当前文件夹。
- 根文件夹是 A:\。
- 仪器接通电源之后，或者在示波器接通电源之后插入 CF 卡时，示波器重新设定当前文件夹为 A:\。
- 文件名可以有一到八个字符，后面有一个句号，和一到三个字符的扩展名。
- 在个人计算机操作系统上创建的长文件名以操作系统缩短的文件名显示。
- 文件名大写。

## 使用打印钮保存信息

使用“全储存”菜单 [SAVE/RECALL (储存 / 调用) ▶ 操作 = 全储存] 来设置打印钮以实现三个功能之一：

- 将示波器信息自动地保存为文件夹中的多个文件。
- 将该屏幕图象保存为一个文件。
- 打印该屏幕图象到当前打印机端口。

选项	设置或子菜单	注释
打印钮	全储存	设置打印钮，将所有有效的示波器信息（波形、屏幕图象、设置）保存为当前 CF 卡文件夹下新子文件夹中的文件。请参阅第 6 页上的“全储存”。
	将图像保存为文件	设置打印钮，将屏幕图象发送到 CF 卡上的文件中。
	打印	设置打印钮，将屏幕图象发送到当前打印机端口。
选择文件夹		列出当前 CF 卡文件夹中的内容，并显示以下菜单项。
	更改文件夹	请参阅 14 页上的 <i>管理文件以及文件夹</i> 。
	新建文件夹	
	后退	返回到“全储存”菜单。
关于全储存		显示该任务的帮助文本。

### 关键点

**全储存。**设置打印钮为“全储存”是快速的而简易的方法，只需按下单个按钮便可将所有当前示波器信息保存为文件。使用列于下表的当前仪器及文件格式设置，按下打印钮可以创建新文件夹并将下列信息保存为新文件夹下的单独文件：

信源	文件名
CH(x)	FnnnnCHx.CSV 中的 nnnn 是一个自动生成的号码，x 是通道编号。
MATH	FnnnnMTH.CSV
Ref(x)	FnnnnRFx.CSV 中的 x 是参考存储器字母。
屏幕图象	FnnnnTEK.??? 中的 ??? 是当前“存图像”的文件格式。
设置	FnnnnTEK.SET

**.CSV 文件。**.CSV（逗号分隔值）文件包含 ASCII 文本字符串，列出对应 2500 个波形数据点中每个点的时间（相对于触发器）和电压值。可以将 .csv 文件导入到多个电子表格和数学分析应用程序中。

**屏幕图象文件。**可以将屏幕图象文件导入到多个电子表格和字处理应用程序中。可以导入的图像文件类型取决于应用程序。

**.SET 文件。**SET 文件包含一个 ASCII 文本字符串，其中列出示波器设置。

## 将屏幕图象保存为文件

使用“存图像”菜单 [SAVE/RECALL (保存 / 调用) ▶ 操作 = 存图像] 将示波器屏幕图象保存为名为 TEKnnnn.??? 的缺省文件，其中 .??? 是指定的图形文件格式。可以将屏幕图象文件导入到多个电子表格和字处理应用程序中。

选项	设置或子菜单	注释
文件格式	BMP、PCX、TIFF、RLE、EPSIMAGE	设置屏幕图象图形文件格式。
关于保存图像		显示该任务的帮助文本。
选择文件夹		列出当前 CF 卡文件夹中的内容，并显示以下菜单项。
	更改文件夹	请参阅 14 页上的 <i>管理文件及文件夹</i> 。
	版面格式	选择纵向或者横向图像布局。
	省墨 打开, 关闭	切换“省墨”为打开或者关闭（仅仅彩色型号）。
	新建文件夹	请参阅 14 页上的 <i>管理文件以及文件夹</i> 。
保存	文件名	将该屏幕图象保存为当前 CF 卡文件夹下自动生成的文件名。

## 保存设定

可以使用“存设置”菜单 [SAVE/RECALL (保存 / 调用) ▶ 操作 = 存设置] 将当前的示波器以 TEKnnnn.SET 文件名保存到指定文件夹下或者非易失性设置存储器内。设置文件包含一个 ASCII 文本字符串，列出示波器设置。

选项	设置或子菜单	注释
保存到	设置	指定保存当前的示波器设置到非易失性设置存储器
	文件	指定将当前的示波器设置保存到 CF 卡上的一个文件。
设置	1 到 10	指定非易失性设置存储器位置。
选择文件夹		列出当前 CF 卡文件夹中的内容，并显示以下菜单项。
	更改文件夹	请参阅 14 页上的 <i>管理文件以及文件夹</i> 。
	新建文件夹	返回到“全储存”菜单。
保存		保存该设置到指定设置存储器位置。
	文件名	将该设置以自动生成的文件名保存到当前 CF 卡文件夹下。

## 保存波形文件

使用“存波形”菜单 [SAVE/RECALL (保存 / 调用) ▶ 操作 = 存波形] 将指定的波形保存为文件名 TEKnnnn.CSV 或保存到参考存储器。该模块将波形数据以逗号分隔值 (.csv 格式) 存入文件，该值包含列有 2500 个波形数据点中每一个的时间（相对于该触发器）和电压值的 ASCII 文本字符串。您可以将 .csv 文件导入到多个电子表格和数学分析应用程序中。

选项	设置或子菜单	注释
保存到	文件	指定将源波形数据保存到 CF 卡上的一个文件中。
	Ref	指定将源波形数据保存到参考存储器中。
信源	CH(x), Ref(x), MATH	指定要保存的源波形。
保存到	Ref(x)	指定保存源波形的参考存储器位置。
选择文件夹		列出当前 CF 卡文件夹中的内容，并显示以下菜单项。
	更改文件夹	请参阅 14 页上的 <i>管理文件以及文件夹</i> 。
	新建文件夹	
保存		保存该波形到指定参考存储器。
	文件名	将该波形数据以自动生成的文件名保存到当前 CF 卡文件夹下。

## 调出示波器设置

可以使用“调出设置”菜单 [SAVE/RECALL (保存 / 调用)  
▶操作 = 调出设置] 从文件或者存储器位置加载示波器设置信息。

选项	设置或子菜单	注释
调出	设置	指定从非易失存储器调出示波器设置。
	文件	指定从 CF 卡上的一个文件中调出示波器设置。
设置	1 到 10	指定调出示波器设置的非易失性存储器位置。
选择文件夹		列出当前选择文件的 CF 卡文件夹中的内容，并显示下列菜单项。
	更改文件夹	请参阅 14 页上的 <i>管理文件以及文件夹</i> 。
调出		从非易失性存储器调出设置。
	文件名	从指定的 CF 卡文件中调出该设置。

## 调出波形文件

可以使用“调出波形”菜单 [SAVE/RECALL (保存 / 调用)  
 ▶ 操作 = 调出波形] 将波形数据从 CF 卡文件加载到指定的参考存储器位置。

选项	设置或子菜单	注释
到	Ref(x)	指定加载源波形数据的参考存储器位置。
选择文件夹		列出当前选择文件的 CF 卡文件夹中的内容，并显示下列菜单项。
	更改文件夹	请参阅 14 页上的 <i>管理文件以及文件夹</i> 。
	到 Ref(x)	指定加载源波形数据的参考存储器位置。
调出	文件名	将波形数据从指定的文件加载到参考存储器。

## 显示参考波形

可以使用“显示 Refs”菜单 [SAVE/RECALL (保存 / 调用)  
 ▶ 操作 = 显示 Refs] 打开或者关闭指定参考存储器波形的显示。

选项	设置或子菜单	注释
Ref(x)	打开、关闭	打开或者关闭指定的参考存储器波形的显示。

## 设置打印机选项

可以使用“打印机设置”菜单 [UTILITY (辅助功能) ▶ 选项 ▶ 打印机设置] 配置该打印机文件格式和端口设置。

选项	设置或子菜单	注释
打印钮		有关打印钮设置的信息，请参阅 5 页。
打印端口	Centronics、RS-232	用于将示波器连接到打印机的通信端口。
打印格式	Thinkjet、Deskjet、Laser Jet、Bubble Jet、Epson Dot、DPU411、DPU412、DPU3445、Epson C60、Epson C80、BMP、PCX、TIFF、RLE、EPSIMAGE	连接到通信端口设备的打印机类型。当打印钮设置为“打印”时激活此菜单选项。
文件格式	BMP、PCX、TIFF、RLE、EPSIMAGE	图形图像文件格式的类型。当打印钮设置为“将图像保存为文件”时激活菜单选项。
版面格式	纵向、横向	打印机输出方向。
省墨 *	打开、关闭	打开或者关闭以白色背景黑色图像打印屏幕。仅 TDS2000-系列示波器有此功能。
中断打印		停止向打印机发送数据。

## 设日期与时间

可以使用“设日期与时间”菜单 [UTILITY (辅助功能) ▶ 选项 ▶ 设日期与时间] 设置模块时钟日期与时间。该模块运用该信息对写入卡的文件加上时间标记。该模块包含一个内置的不可更换的电池以保持时钟设置。

选项	设置	注释
↑ ↓		在列表上上下下移动字段选择加亮部分。使用“触发电平”旋钮改变选定字段的值。
设日期和时间		用指定的日期与时间设置更新该模块。
取消		关闭该菜单并返回到上级菜单而不保存任何更改。

### 关键点

**季节的时间变化。** 模块时钟 / 日历不能根据季节的时间变化进行自动调整。该模块可以做“闰”年调整。

## 管理文件和文件夹

可以使用“文件功能”功能 [UTILITY (辅助功能) ▶ File Utilities] 执行下列步骤：

- 列出当前文件夹中的内容。
- 选择一个文件或者文件夹。
- 转到其他的文件夹。
- 创建、重命名、删除文件和文件夹。
- 格式化 CompactFlash 卡。

选项	注释
更改文件夹	转到选定 CF 卡的文件夹。使用“水平位置”旋钮选择文件或者文件夹，然后按下“更改文件夹”菜单选项转到选定文件夹。  要返回到以前的文件夹，选择“上一级”文件夹项，并按下“更改文件夹”菜单选项。
新建文件夹	在当前的文件夹位置创建一个新 CF 卡文件夹，命名为 NEW_FOL，并显示该文件“重命名”菜单以更改默认名称。
删除 (文件名 / 文件夹)	删除选定文件名或文件夹。只能删除空的文件夹。
确认删除	在按下“删除”之后显示，从而确认文件删除操作。按下任何“确认删除”以外的按钮或者旋钮将取消文件删除操作。
重命名	显示“重命名”屏幕重命名文件夹或者文件；请参阅 15 页上的 <i>重命名文件和文件夹</i> 。

选项	设置	注释
格式化	是, 否	格式化 CompactFlash 卡。格式化将删除 CF 卡上的所有数据。

## 重命名文件和文件夹

可以使用“重命名”屏幕 [UTILITY (辅助功能) ▶ File Utilities ▶ 重命名] 更改 CompactFlash 卡上的文件和文件夹的名称。

选项	设置或子菜单	注释
输入字符	A - Z 0 - 9 - .	在当前“名称”字段光标位置键入加亮显示的字母数字字符。  使用“水平位置”旋钮选择一个字母数字字符或者“退格”、“删除字符”或者“清除名称”功能。
	退格	将菜单按钮 1 选项更改为“退格”功能。删除“名称”字段中加亮显示字符左侧的字符。
	删除字符	将菜单按钮 1 选项更改为“删除字符”功能。从“名称”字段中删除加亮显示的字符。
	清除名称	将菜单按钮 1 选项更改为“清除名称”。从“名称”字段中删除所有的字符。

选项	设置或子菜单	注释
← →		将“名称”字段中的光标左移或者右移一个位置。
确定		更改“名称”字段中显示的文件名所在的文件夹。
取消		取消重命名操作（不更改文件夹或者文件的名称）并返回到上级菜单。

## 通过 RS-232 端口使用编程命令

有关通过 RS-232 端口控制 TDS2MEM 或者示波器功能的信息，请参阅 *TDS1000- 和 TDS2000- 系列数字存储器示波器用户手册* 中的 *TDS2CMA 通信模块* 部分。有关命令语法信息，请参阅 *TDS1000- 和 TDS2000- 系列数字存储示波器程序员手册* (泰克公司部件号 071-1075-01)。

## 使用 CompactFlash 读卡机

请参阅随附的 CF 读卡机文档进行安装和配置，并在您的个人计算机的 USB 端口上使用 CF 读卡机。要使用 CF 读卡机，可能需要安装 USB 驱动程序。

三 ( 3 ) 个月之内，泰克公司保修 CF 卡和 CF 读卡机。请参阅该文档的起始部分了解具体的保修信息。三个月的泰克公司保修期满后，请与相应厂商联系有关保修或者服务支持的信息。

# 使用者手冊



## TDS2MEM 儲存記憶體和 通訊模組

**071-1262-00**

此文件支援韌體版本 FV:v6.00 及更新版本。

**[www.tektronix.com](http://www.tektronix.com)**

©Tektronix, Inc. 版權所有。

所有「太克」產品均受美國與其它國家已許可及審核中之專利權的保護。本出版物中的資訊將取代先前出版的所有文件中的內容。保留變更規格與價格之權利。

Tektronix, Inc., P.O. Box 500, Beaverton, OR 97077, USA

TEKTRONIX 與 TEK 皆為 Tektronix, Inc. 的註冊商標。

CompactFlash 為 CompactFlash 協會的註冊商標。

## 保證書摘要 TDS2MEM

「太克」保證其所製造及銷售的產品從「太克」授權經銷商出貨日後三年內，在材料和工藝兩方面均無瑕疵。產品或 CRT (陰極射線管) 在此期間內若出現瑕疵，「太克」將按完整保證書中之條款提供修復或更換服務。

若要安排服務或取得一份完整的保證書，請就近向「太克」的銷售和工程部門連繫。

**除本摘要或適用之保固條款所述之外，無論明示或默示，「太克」不作任何保固，包括但不限於對某特殊用途之商品性及適用性的保固。無論何種狀況下，「太克」對間接、特殊或衍生的損壞概不負責。**

## 保證書

### CompactFlash 卡和 CompactFlash 讀取器

「太克」保證其所製造及銷售的零件、部件及耗材（「產品」）在出貨日後三個月內，在材料和工藝兩方面均無瑕疵。若產品證實在保固期內發生故障，「太克」可選擇對故障品進行修復但不收任何零件費用與工錢，或是提供替代品以交換故障產品。

為了取得本保證書所提供的服務，顧客必須在保固期到期之前，將故障情況告知「太克」並進行適當的安排以進行服務。顧客必須負責缺陷產品的包裝與運輸，並以預付運費的方式送抵「太克」指定的服務中心。若顧客所在地與「太克」服務中心位在同一國家，「太克」將支付把產品寄回顧客的費用。如果要將產品寄回其他地點，所有運費、關稅、稅金與任何其他費用需由顧客支付。

本保證書不適用於因不正常使用、維修或缺乏保養的情況所造成的任何缺陷、故障或損壞。若有下列情況，「太克」並無義務就本保證書提供服務 a) 因為非「太克」代表的人員企圖安裝、維修或檢修產品而產生的損壞，b) 因為不正常使用或與不相容設備連接所造成的損壞；c) 使用非「太克」耗材所造成的任何損壞或故障；或 d) 產品經過修改或與其他產品結合，而這種修改或結合增加檢修產品所需的時間或難度。

**本保證書由「太克」所提供，取代任何其他明示或默示的保證。「太克」及其廠商不為任何適售性或符合特定使用目的之所有默示擔保。倘若違反此擔保，「太克」對顧客所提供的唯一補救方法，為修復或替換故障的產品。對於任何間接、特殊、附隨性或衍生性損壞，「太克」及其廠商將概不負責，不論「太克」及其廠商是否事先瞭解這種損壞的可能性。**

## 一般安全摘要

請檢視下列的安全警告以避免傷害，並預防對此產品或任何相關產品的損害。

為避免潛在的危險，請僅依照指示使用此產品。

只有合格的維修人員方可操作維修程序。

### 避免火源或身體傷害

**將產品接地。**本產品是透過主機電源線的接地導線與地面連接。為了避免電擊，接地導線必須連接到地面。在與產品的輸入與輸出端子連接之前，請確定產品已正確地接地。

**觀察所有的端子功率。**為了避免火災或是電擊的危險，請注意產品上的功率及標記。在與產品連接之前，請先參閱產品手冊以便進一步瞭解有關功率的資訊。

一般端子位於接地電位。請勿將一般端子與高電壓連接。

**請勿在蓋子未蓋上之前即進行操作。**如果蓋子或是面板被取下，請勿操作本產品。

**避免電路外露。**當有電流通過時，請勿碰觸外露的連接器及元件。

**懷疑有故障時，請勿操作。**若您懷疑此產品已遭損壞，請讓合格的維修人員進行檢查。

**請勿在潮濕的狀態下操作。**

**請勿在易燃易爆的空氣中操作。**

**請維持產品表面的清潔與乾燥。**

## 符號與規定

此手冊中的規定。本手冊可能會出現下列規定：



---

**警告。**警告聲明中指明了可能導致受傷或喪命的情況或操作。

---



---

**小心。**小心聲明中指明了可導致損壞此產品或其他物品的情況或操作。

---

**產品上的規定。**這些規定可能會出現在產品上：

DANGER (危險) 表示當您看到此標誌時可能會有立即受傷的危險。

WARNING (警告) 表示當您看到此標誌時並不會有立即受傷的危險。

CAUTION (小心) 表示可能損及財產 (包括本產品) 的危險。

**產品上的符號。**下列符號可能會出現在產品上：



小心  
參閱手冊



保護接地  
端子

## 電池回收

此產品包含不可更換的鋰電池。請依據當地法規正確的處理電池。

## 與「太克」聯繫

電話	1-800-833-9200*
地址	Tektronix, Inc. 部門或姓名 (如果已知) 14200 SW Karl Braun Drive P.O. Box 500 Beaverton, OR 97077 USA
網站	<a href="http://www.tektronix.com">www.tektronix.com</a>
銷售 支援	1-800-833-9200, 請選擇選項 1*
服務 支援	1-800-833-9200, 請選擇選項 1*
技術支援	電子郵件信箱: <a href="mailto:techsupport@tektronix.com">techsupport@tektronix.com</a>  1-800-833-9200, 請選擇選項 3* 太平洋標準時間上午 6:00 - 下午 5:00

---

\* 此號碼於北美地區為免付費電話。營業時間以外，請留下語音訊息。  
在北美地區以外，請聯繫「太克」的銷售部門或經銷商；請參閱「太克」  
網站以查詢部門名單。



## 使用 TDS2MEM 儲存記憶體和通訊模組

「TDS2MEM 儲存記憶體和通訊模組」在您的 TDS1000 或 TDS2000 系列示波器中，新增可移動的 Type 1 CompactFlash (CF) 卡儲存記憶體、RS-232 遠端程控功能、RS-232 和併行印表機輸出連線功能。

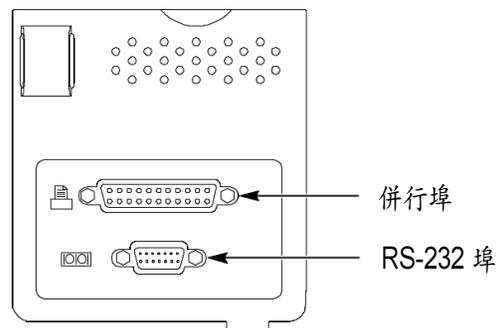
---

**注意。**此模組與 TDS200 系列示波器不相容。

---

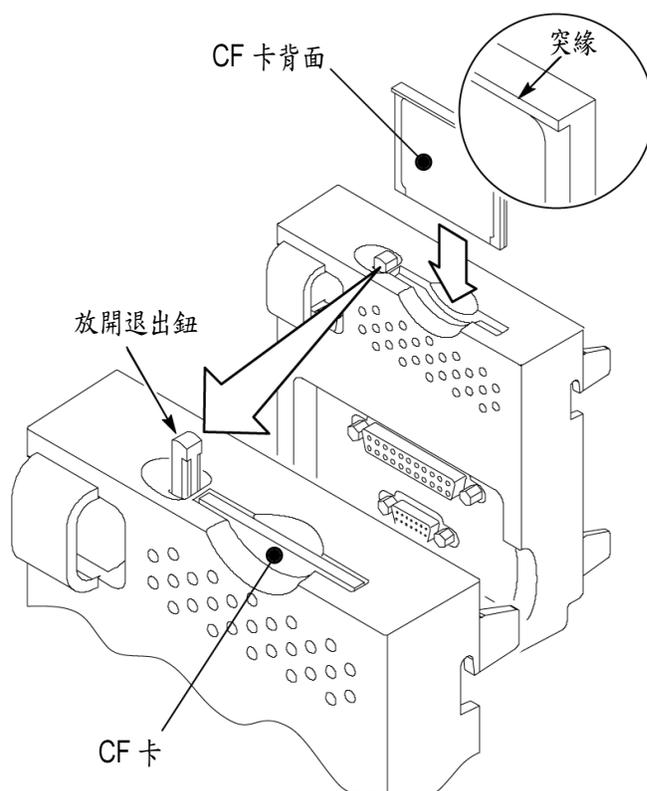
### 安裝模組

如需模組安裝說明，請參閱 *TDS200*、*TDS1000* 和 *TDS2000* 系列擴充模組安裝表。下列圖解會辨識 TDS2MEM 模組輸出埠。



## 安裝與移除 CompactFlash 卡

將 Type 1 CompactFlash 卡插入插槽中，直到卡插滿模組槽，如下所示。CF 卡只能單向插入。若 CF 卡插入困難，請移除該卡，以正確的方向重新插入。



若要移除 CompactFlash 卡，按下並放開退出鈕讓該鈕鬆開，然後再次按下退出鈕，讓 CF 卡從插槽中鬆開。將 CF 卡從模組插槽中拉出。

## CompactFlash 初始讀取時間

每次插入 CF 卡時，TDS2MEM 便會讀取 CF 卡的內部結構；完成讀取的時間隨 CF 卡大小與格式化方式的不同而有所不同。若要將 TDS2MEM 模組中大小在 64 MB 及以上的 CF 卡初始讀取時間明顯縮短，請使用 TDS2MEM 格式化功能 (UTILITY ▶ 檔案程式 ▶ 格式化) 將 CF 卡格式化。

## 格式化 CompactFlash 卡

1. 將 CF 卡插入模組中。
2. 按 UTILITY 前面板按鈕。
3. 選擇「**檔案程式**」功能表選項。
4. 選擇「**更多**」功能表選項，顯示第 2 頁功能表。
5. 選擇「**格式化**」功能表選項。
6. 選擇「**是**」功能表選項將 CF 卡格式化；格式化將刪除 CF 卡上所有的資料。

## CompactFlash 卡容量

下列為 CF 卡記憶體中，每 1 MB 內大約可儲存的檔案數 (依類型區分)。

- 5 個「存全部」操作 (請參閱 *使用列印鈕儲存資訊*，第 5 頁)
- 16 個螢幕影像檔案 (真正的容量視選擇的影像格式而定) (請參閱 *儲存螢幕影像到檔案*，第 7 頁)

- 250 個示波器設定 (.set) 檔案 (請參閱儲存示波器設定, 第 8 頁)
- 18 個波形 (.csv) 檔案 (請參閱儲存波形檔案, 第 9 頁)

## 檔案管理準則

- 在寫入檔案前, 示波器會先檢查 CompactFlash 卡上的可用空間; 如果沒有足夠的記憶體可寫入檔案, 則顯示警告訊息。
- 手冊中所使用的「資料夾」一詞, 指的是 CF 卡上的目錄位置。
- 預設的檔案儲存或叫出位置是目前的資料夾。
- 根資料夾是 A:\。
- 將儀器電源開啟時, 或是在示波器電源開啟後插入 CF 卡, 示波器會將目前資料夾重設為 A:\。
- 檔案名稱長度為 1 到 8 個字元, 字元後加上句點, 句點之後為 1 到 3 個字元長的副檔名。
- 在 PC 作業系統上建立的長檔案名稱, 會以作業系統上縮短的檔案名稱顯示。
- 檔案名稱為大寫。

## 使用列印鈕儲存資訊

使用「存全部」功能表 (SAVE/RECALL ▶ 動作 = 「存全部」) 設定「列印」鈕執行下列三個功能：

- 自動將示波器資訊儲存至一個資料夾內的多個檔案中。
- 儲存螢幕影像到檔案。
- 從目前的印表機埠列印螢幕影像。

選項	設定或子功能表	註解
列印鈕	全部存到檔案	設定列印鈕，將所有使用中示波器的資訊 ( 波形、螢幕影像、設定 ) 儲存至目前 CF 卡資料夾中新子資料夾內的檔案。請參閱〈全部存到檔案〉，第 6 頁。
	存影像到檔案	設定列印鈕，將螢幕影像傳送到 CF 卡上的檔案。
	列印	設定列印鈕，將螢幕影像傳送到目前印表機埠。
選擇資料夾		列出目前 CF 卡資料夾的內容，顯示下列功能表項目。
	變更資料夾	請參閱管理檔案和資料夾，第 14 頁。
	新資料夾	
	返回	回到「存全部」功能表
關於存全部		顯示這項工作的說明文字。

## 重點

**全部存到檔案**。將「列印鈕」設定為「全部存到檔案」，則只需按下一個按鈕，便可快速簡單的將目前示波器所有資訊儲存到檔案中。按「列印」鈕可建立新的資料夾，並使用目前儀器和檔案格式設定，將下列資訊儲存到該新資料夾內不同的檔案中，如下表所列：

信號源	檔案名稱
CH(x)	FnnnnCHx.CSV，此處 nnnn 是自動產生的號碼，x 是波道號碼。
MATH	FnnnnMTH.CSV
Ref(x)	FnnnnRFx.CSV，此處 x 是參考記憶體的代號。
螢幕影像	FnnnnTEK.???，此處 ??? 是目前的「存影像」檔案格式。
設定	FnnnnTEK.SET

**.CSV 檔案**。CSV (逗點分隔值) 檔案包含 ASCII 文字串，字串會列出時間 (相對於觸發) 和每一個 2500 波形資料點的電壓值。許多試算表和數學分析應用程式都可以匯入 .csv 檔案。

**螢幕影像檔案**。許多試算表和文書處理應用程式都可以匯入螢幕影像檔案。隨著應用程式的不同，您可匯入的影像檔案類型也不同。

**.SET 檔案**。SET 檔案包含列出示波器設定的 ASCII 文字串。

## 儲存螢幕影像到檔案

使用「存影像」功能表 (SAVE/RECALL ▶ 動作 = 「存影像」) 將示波器螢幕影像儲存到名為 TEKnnnn.??? 的預設檔案中，此處 .??? 表示指定的圖形檔案格式。許多試算表和文書處理應用程式都可以匯入螢幕影像檔案。

選項	設定或子功能表	註解
檔案格式	BMP、PCX、TIFF、RLE、EPSIMAGE	設定螢幕影像圖形檔案格式。
關於儲存影像		顯示這項工作的說明文字。
選擇資料夾		列出目前 CF 卡資料夾的內容，顯示下列功能表項目。
	變更資料夾	請參閱 <i>管理檔案和資料夾</i> ，第 14 頁。
	印出方式	選擇直式或橫式的影像印出方式。
	省墨開，關	切換開啟或關閉「省墨」模式 (僅限彩色型號)。
	新資料夾	請參閱 <i>管理檔案和資料夾</i> ，第 14 頁。
儲存	檔案名稱	將螢幕影像儲存到目前的 CF 卡資料夾中自動產生的檔案名稱內。

## 儲存示波器設定

使用「存設定」功能表 (SAVE/RECALL ▶ 動作 = 「存設定」) 將目前示波器設定，以 TEKnnnn.SET 檔案名稱儲存到指定的資料夾中，或儲存到非揮發性設定記憶體。設定檔案包含列出示波器設定的 ASCII 文字串。

選項	設定或子功能表	註解
儲存到	設定	指定將目前的示波器設定儲存至非揮發性設定記憶體
	檔案	指定將目前示波器設定儲存到 CF 卡上的檔案中。
設定	1 到 10	指定非揮發性設定記憶體位置。
選擇資料夾		列出目前 CF 卡資料夾的內容，顯示下列功能表項目。
	變更資料夾	請參閱 <i>管理檔案和資料夾</i> ，第 14 頁。
	新資料夾	回到「存全部」功能表
儲存		將設定儲存到指定的設定記憶體位置。
	檔案名稱	將設定儲存到目前的 CF 卡資料夾中自動產生的檔案名稱內。

## 儲存波形檔案

使用「SAVE WFM」功能表 (SAVE/RECALL ▶ 動作 = 「SAVE WFM」)，將指定波形儲存到 TEKnnnn.CSV 檔案名稱，或儲存到參考記憶體。模組會將波形資料儲存成以逗號分隔的檔案 (.csv 格式)，此檔案是 ASCII 文字串，字串會列出時間 (相對於觸發) 和每一個 2500 波形資料點的電壓值。許多試算表和數學分析應用程式都可以匯入 .csv 檔案。

選項	設定或子功能表	註解
儲存到	檔案	指定將來源波形資料儲存到 CF 卡上的檔案。
	Ref	指定將來源波形資料儲存到參考記憶體。
信號源	CH(x)、Ref(x)、MATH	指定要儲存的來源波形。
儲存到	Ref(x)	指定要儲存來源波形的參考記憶體位置。
選擇資料夾		列出目前 CF 卡資料夾的內容，顯示下列功能表項目。
	變更資料夾	請參閱 <i>管理檔案和資料夾</i> ，第 14 頁。
	新資料夾	
儲存		將波形儲存到指定的參考記憶體。
	檔案名稱	將波形資料儲存到目前的 CF 卡資料夾中自動產生的檔案名稱內。

## 叫出示波器設定

使用「叫出設定」功能表 (SAVE/RECALL ▶ 動作 = 「叫出設定」)，載入檔案或記憶體位置內的示波器設定資訊。

選項	設定或子功能表	註解
從 ... 叫出	設定	指定從非揮發性記憶體中叫出示波器設定。
	檔案	指定從目前 CF 卡上的檔案叫出示波器設定。
設定	1 到 10	指定叫出示波器設定的非揮發性記憶體。
選擇資料夾		列出目前 CF 卡資料夾 (由此資料夾選擇檔案) 的內容，顯示下列功能表項目。
	變更資料夾	請參閱 <i>管理檔案和資料夾</i> ，第 14 頁。
叫出		從非揮發性記憶體叫出設定。
	檔案名稱	從指定的 CF 卡檔案中叫出設定。

## 叫出波形檔案

使用「叫出設定」功能表 (SAVE/RECALL ▶ 動作 = 「叫出設定」)，載入檔案或記憶體位置內的示波器設定資訊。

選項	設定或子功能表	註解
到	Ref(x)	指定要載入波形資料的參考記憶體位置。
選擇資料夾		列出目前 CF 卡資料夾 (由此資料夾選擇檔案) 的內容，顯示下列功能表項目。
	變更資料夾	請參閱 <i>管理檔案和資料夾</i> ，第 14 頁。
	到 Ref(x)	指定要載入波形資料的參考記憶體位置。
叫出	檔案名稱	將指定檔案中的波形資料載入到參考記憶體。

## 顯示參考波形

使用「顯示參考形」功能表 (SAVE/RECALL ▶ 動作 = 「顯示參考形」)，切換開啟或關閉指定參考記憶體波形的顯示。

選項	設定或子功能表	註解
Ref(x)	開啟，關閉	切換開啟或關閉指定參考記憶體波形的顯示。

## 設定印表機選項

使用「印表機設定」功能表 (UTILITY ▶ 選項 ▶ 印表機設定)，設定印表機檔案格式和連接埠設定。

選項	設定或子功能表	註解
列印鈕		如需「列印鈕」設定的相關資訊，請參閱第 5 頁。
列印埠	Centronics, RS-232	用來將示波器連接到印表機的通訊埠
印表機格式	Thinkjet、Deskjet、Laser Jet、Bubble Jet、Epson Dot、DPU411、DPU412、DPU3445、Epson C60、Epson C80、BMP、PCX、TIFF、RLE、EPSIMAGE	連接到通訊埠的印表機類型本功能表選項在「列印鈕」設定成「列印」時可以使用。
檔案格式	BMP、PCX、TIFF、RLE、EPSIMAGE	圖形影像檔案格式的類型。本功能表選項在「列印鈕」設定成「存影像到檔案」時可以使用。
印出方式	直式、橫式	印表機的輸出方向。
省墨*	開啟、關閉	切換開啟或關閉將螢幕在白色背景列印成黑色影像的功能。僅可用於 TDS2000 系列示波器。
中斷列印		停止將螢幕資料傳送到印表機。

## 設定日期和時間

使用「設日期和時間」功能表 (UTILITY ▶ 選項 ▶ 設日期和時間)，設定模組的 CLOCK 日期和時間。模組使用這項資訊做為寫入卡中的時間註記檔案；模組內包含內建的不可更換性電池，以維持 CLOCK 的設定。

選項	設定	註解
↑ ↓		在整個清單內向上或向下移動圖場選擇反白。使用「觸發準位」旋鈕變更已選取圖場的值。
設日期及時間		以指定的日期和時間設定更新模組。
取消		關閉功能表，不儲存任何變更返回原先的功能表。

### 重點

**季節性的時間變更。** 模組的 CLOCK/ 行事曆無法依季節性的時間變更自動調整。模組無法依閏年調整。

## 管理檔案和資料夾

使用「檔案程式」功能 (UTILITY ▶ 檔案程式) 執行下列步驟：

- 列出目前資料夾的內容。
- 選擇檔案或資料夾。
- 巡覽到其他資料夾。
- 建立、更名與刪除檔案和資料夾。
- 格式化 CompactFlash 卡

選項	註解
變更資料夾	巡覽到已選取的 CF 卡資料夾。使用「水平位置」旋鈕選擇檔案或資料夾，再按「變更資料夾」功能表選項巡覽到已選取的資料夾。  若要返回原先的資料夾，選擇「向上」資料夾項目，並按「變更資料夾」功能表選項。
新資料夾	在目前資料夾位置內建立新的 CF 卡資料夾，將資料夾命名為 NEW_FOL，並顯示檔案「更名」功能表以變更預設的名稱。
刪除 ( 檔案名稱 / 資料夾 )	刪除已選取的檔案名稱或資料夾。資料夾必須是空的才能刪除。
確認刪除	在按「刪除」後顯示，以確認檔案刪除動作。按「確認刪除」以外的任何按鈕或旋鈕，取消檔案刪除動作。
更名	顯示「更名」螢幕將資料夾或檔案更名，請參閱更名檔案和資料夾，第 15 頁。

選項	設定	註解
格式	是， 否	格式化 CompactFlash 卡；格式化會刪除 CF 卡上所有的資料。

## 更名檔案和資料夾

使用「更名」螢幕 (UTILITY ▶ 檔案程式 ▶ 更名) 以變更 CompactFlash 卡上的檔案和資料夾名稱。

選項	設定或子功能表	註解
輸入文字	A-Z 0-9 - .	在目前的「名稱」欄位游標位置上，輸入反白顯示的符號文字。  使用「水平位置」旋鈕選擇符號文字，或是「後退」、「刪除文字」或「清除名稱」功能。
	後退	將功能表按鈕 1 選項變更成「後退」功能。刪除「名稱」欄位內反白文字以左的文字。
	刪除文字	將功能表按鈕 1 選項變更成「刪除文字」功能。刪除「名稱」欄位內反白文字。
	清除名稱	將功能表按鈕 1 選項變更成「清除名稱」。刪除「名稱」欄位內所有文字。

選項	設定或子功能表	註解
← →		將「名稱」欄位游標向左或向右移動一個位置。
確定		將檔案資料夾的名稱變更為「名稱」欄位內顯示的名稱。
取消		取消更名動作（不變更資料夾或檔案名稱），並返回原先的功能表。

## 透過 RS-232 埠使用程式指令

如需透過 RS-232 埠控制 TDS2MEM 或示波器功能的資訊，請參閱 *TDS1000* 和 *TDS2000* 系列的數位儲存示波器使用者手冊之 *TDS2CMA* 通訊模組章節。如需指令語法資訊，請參閱 *TDS1000* 和 *TDS2000* 系列的數位儲存示波器程式編寫手冊（「太克」料號 071-1075-01）。

## 使用 CompactFlash 卡讀取器

請參閱內含的 CF 卡讀取器文件，在個人電腦的 USB 埠上安裝、設定和使用 CF 卡讀取器。您必須安裝 USB 驅動程式才能使用 CF 卡讀取器。

「太克」對 CF 卡和 CF 卡讀取器的保固期為 3 個月。參閱本文件封面特定的保固資訊。在「太克」3 個月的保固期過後，請與這些項目個別的製造商聯絡，以取得保固或服務支援。

# **Руководство пользователя**

**Tektronix**

## **Накопительный и коммуникационный модуль TDS2MEM**

**071-1262-00**

Данный документ основан на микропрограммном обеспечении версии FV:v6.00 и более поздних.

**[www.tektronix.com](http://www.tektronix.com)**

© Tektronix, Inc. Все права защищены.

Изделия корпорации Tektronix защищены патентами и патентными заявками в США и других странах. Приведенные в данном руководстве сведения заменяют любые ранее опубликованные. Права на изменение спецификаций и цен сохранены.

Tektronix, Inc., P.O. Box 500, Beaverton, OR 97077, USA

TEKTRONIX и ТЕК являются зарегистрированными товарными знаками Tektronix, Inc.

CompactFlash является зарегистрированным товарным знаком CompactFlash Association.

## **Общие положения по гарантийным обязательствам для модуля TDS2MEM**

Корпорация Tektronix гарантирует, что в течение 3 (трех) лет со дня поставки полномочным дистрибьютором Tektronix в изготавливаемых и продаваемых изделиях не будут обнаружены дефекты материалов и изготовления. Если в течение гарантийного срока в изделии или в ЭЛТ будут обнаружены дефекты, корпорация Tektronix произведет ремонт или замену неисправного изделия на исправное в соответствии с положениями полного гарантийного обязательства.

Для получения гарантийного обслуживания или копии полного гарантийного обязательства обратитесь в ближайшее торговое представительство Tektronix.

**ЗА ИСКЛЮЧЕНИЕМ ГАРАНТИЙ, УПОМЯНУТЫХ В ДАННОМ ДОКУМЕНТЕ ИЛИ СООТВЕТСТВУЮЩЕМ ГАРАНТИЙНОМ ОБЯЗАТЕЛЬСТВЕ, КОРПОРАЦИЯ ТЕКТРОНИХ НЕ ПРЕДОСТАВЛЯЕТ НИКАКИХ ДРУГИХ ГАРАНТИЙ, ЯВНЫХ ИЛИ ПОДРАЗУМЕВАЕМЫХ, ВКЛЮЧАЯ ВСЕ ВОЗМОЖНЫЕ ГАРАНТИИ ТОВАРНОСТИ ИЛИ ПРИГОДНОСТИ ДЛЯ ОПРЕДЕЛЕННЫХ ЦЕЛЕЙ. КОРПОРАЦИЯ ТЕКТРОНИХ НИ ПРИ КАКИХ ОБСТОЯТЕЛЬСТВАХ НЕ НЕСЕТ ОТВЕТСТВЕННОСТИ ЗА КАКОЙ-ЛИБО КОСВЕННЫЙ, СПЕЦИАЛЬНЫЙ ИЛИ ОПОСРЕДОВАННЫЙ УЩЕРБ.**

## **Гарантия на плату CompactFlash и считывающее устройство платы CompactFlash**

Корпорация Tektronix гарантирует отсутствие в изготавливаемых и реализуемых деталях, узлах и материалах (“продуктах”) дефектов в материалах и изготовлении в течение 3 (трех) месяцев от даты приобретения. Если в течение гарантийного срока в изделии будут обнаружены дефекты, корпорация Tektronix по своему усмотрению либо отремонтирует неисправное изделие без дополнительной платы за материалы и потраченное на ремонт рабочее время, либо заменит это изделие на исправное.

Для реализации права на обслуживание в соответствии с данной гарантией необходимо до истечения гарантийного срока уведомить корпорацию Tektronix об обнаружении дефекта и выполнить необходимые для проведения гарантийного обслуживания действия. Ответственность за упаковку и доставку неисправного изделия в центр гарантийного обслуживания корпорации Tektronix, а также предоплата транспортных услуг возлагается на владельца. Корпорация Tektronix оплачивает обратную доставку исправного изделия заказчику только в пределах страны, в которой расположен центр гарантийного обслуживания. Доставка исправного изделия по любому другому адресу должна быть оплачена владельцем изделия, включая все расходы по транспортировке, пошлины, налоги и любые другие расходы.

Данная гарантия не распространяется на случаи, когда дефект, отказ в работе или повреждение изделия вызваны неправильной эксплуатацией, хранением или обслуживанием изделия. Корпорация Tektronix не обязана по данному гарантийному обязательству: а) исправлять повреждения, вызванные действиями любых лиц (кроме инженеров Tektronix) по установке, ремонту или обслуживанию изделия; б) исправлять повреждения, вызванные неправильным использованием изделия или подключением его к несовместимому оборудованию; в) исправлять повреждения или неполадки, вызванные использованием материалов, не рекомендованных Tektronix, а также г) обслуживать изделие, подвергшееся модификации или интегрированное в иное оборудование таким образом, что эти действия увеличили время или сложность обслуживания изделия.

**ДАННАЯ ГАРАНТИЯ КОРПОРАЦИИ ТЕКТРОНИХ ЗАМЕНЯЕТ ЛЮБЫЕ ДРУГИЕ ЯВНЫЕ ИЛИ ПОДРАЗУМЕВАЕМЫЕ ГАРАНТИИ. КОРПОРАЦИЯ ТЕКТРОНИХ И ЕЕ ПОСТАВЩИКИ ОТКАЗЫВАЮТСЯ ОТ ЛЮБЫХ ДРУГИХ ПОДРАЗУМЕВАЕМЫХ ГАРАНТИЙ ТОВАРНОСТИ ИЛИ ПРИГОДНОСТИ ДЛЯ ДРУГИХ ЦЕЛЕЙ. ОТВЕТСТВЕННОСТЬ КОРПОРАЦИИ ТЕКТРОНИХ ПО ДАННОМУ ГАРАНТИЙНОМУ ОБЯЗАТЕЛЬСТВУ ОГРАНИЧИВАЕТСЯ ТОЛЬКО РЕМОНТОМ ИЛИ ЗАМЕНОЙ ДЕФЕКТНЫХ ИЗДЕЛИЙ ЗАКАЗЧИКАМ. КОРПОРАЦИЯ ТЕКТРОНИХ И ЕЕ ПОСТАВЩИКИ НЕ НЕСУТ ОТВЕТСТВЕННОСТИ ЗА КОСВЕННЫЙ, СПЕЦИФИЧЕСКИЙ, СЛУЧАЙНЫЙ ИЛИ КАКОЙ-ЛИБО ОПОСРЕДОВАННЫЙ УЩЕРБ ДАЖЕ В ТОМ СЛУЧАЕ, ЕСЛИ ПРЕДСТАВИТЕЛИ КОРПОРАЦИИ ТЕКТРОНИХ БЫЛИ ЗАРАНЕЕ УВЕДОМЛЕННЫ О ВОЗМОЖНОСТИ ТАКОГО УЩЕРБА.**

# Общие правила техники безопасности

Во избежание травм, а также повреждений данного изделия и подключаемого к нему оборудования необходимо соблюдать следующие правила техники безопасности.

Используйте изделие в строгом соответствии с инструкциями, чтобы исключить фактор риска.

*Процедуры по обслуживанию устройства могут выполняться только квалифицированным персоналом.*

## **Пожарная безопасность и предотвращение травм**

**Используйте защитное заземление.** Прибор заземляется через провод заземления шнура питания базового компьютера. Во избежание поражения электрическим током соответствующий контакт шнура должен быть заземлен. Проверьте наличие защитного заземления, прежде чем выполнять подключение к выходам и входам прибора.

**Проверка допустимых номиналов для всех разъемов.** Во избежание воспламенения или поражения электрическим током проверьте все допустимые номиналы и маркировку на приборе. Перед подключением просмотрите дополнительные сведения по допустимым номиналам, содержащиеся в руководстве к прибору.

Общий провод заземлен. Не соединяйте общий провод с источниками напряжения.

**Не используйте прибор с открытым корпусом.**

Использование прибора со снятым кожухом или защитными панелями не допускается.

**Избегайте прикосновений к оголенным участкам цепи.**

Не прикасайтесь к неизолированным соединениям и компонентам, находящимся под напряжением.

**Не пользуйтесь неисправным прибором.** Не следует пользоваться прибором при подозрении на его неисправность. В этом случае он должен быть проверен квалифицированным специалистом по обслуживанию.

**Не пользуйтесь прибором в условиях повышенной влажности.**

**Не пользуйтесь прибором во взрывоопасных средах.**

**Не допускайте попадания влаги и загрязнений на поверхность прибора.**

## Символы и обозначения

**Обозначения в данном руководстве.** Ниже приводится список условных обозначений, используемых в данном руководстве.



**ВНИМАНИЕ.** Предупреждения о действиях и условиях, представляющих угрозу для жизни или способных нанести вред здоровью.

---



**ОСТОРОЖНО** Предостережения о действиях и условиях, способных привести к повреждению данного прибора или другого оборудования.

---

**Обозначения на изделии.** Ниже приводится список возможных обозначений на изделии.

Обозначение DANGER указывает на непосредственную опасность получения травмы.

Обозначение WARNING указывает на возможность получения травмы при отсутствии непосредственной опасности.

Обозначение CAUTION указывает на возможность повреждения данного изделия и другого имущества.

**Символы на изделии.** Ниже приводится список возможных символов на изделии:



Осторожно!  
См. "Руководство"



Контактный  
вывод защитного заземления

### Утилизация батареи

Данное изделие содержит не подлежащую замене литиевую батарею. Утилизация батареи должна производиться в соответствии с местным законодательством.

## Как связаться с компанией Tektronix

<b>Телефон</b>	1-800-833-9200*
<b>Адрес</b>	Tektronix, Inc. Отдел или имя (если известны) 14200 SW Karl Braun Drive P.O. Box 500 Beaverton, OR 97077 USA
<b>Веб-узел</b>	<a href="http://www.tektronix.com">www.tektronix.com</a>
<b>Отдел продаж</b>	1-800-833-9200, нажмите 1*
<b>Отдел обслуживания</b>	1-800-833-9200, нажмите 1*
<b>Техническая поддержка</b>	Электронная почта: <a href="mailto:techsupport@tektronix.com">techsupport@tektronix.com</a>  1-800-833-9200, нажмите 3* 6:00 - 17:00 (тихоокеанское время)

---

\* В Северной Америке плата за разговор по этому номеру не взимается. По окончании рабочего дня оставьте сообщение на автоответчике. За пределами Северной Америки свяжитесь с торговым представительством или дистрибьютором Tektronix. Список представительств находится на веб-узле Tektronix.

# Накопительный и коммуникационный модуль TDS2MEM

Накопительный и коммуникационный модуль TDS2MEM содержит съемную плату памяти CompactFlash (CF) типа 1, порт RS-232 для удаленного программирования, а также обеспечивает возможность подключения принтера к осциллографам серий TDS1000 и TDS2000 через порты RS-232 и Centronics.

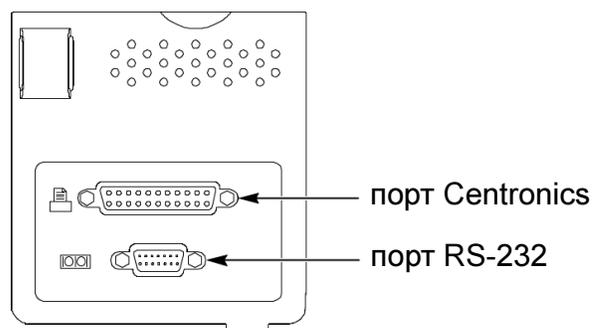
---

**ПРИМЕЧАНИЕ.** Данный модуль несовместим с осциллографами серии TDS200.

---

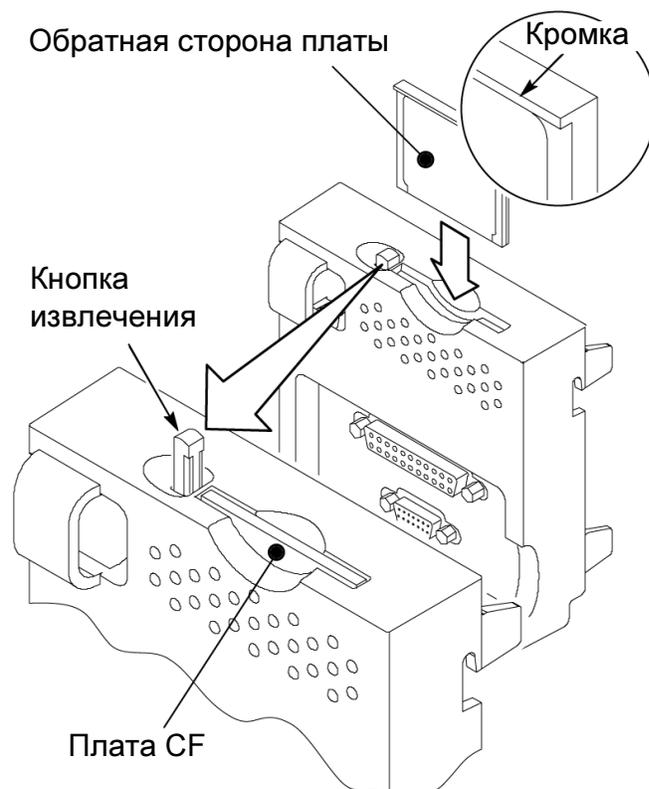
## Установка модуля

Инструкции по установке модуля см. в разделе *Установка модуля расширения осциллографов серий TDS200, TDS1000 и TDS2000*. На рисунке показаны выходные порты модуля TDS2MEM.



## Установка и извлечение платы CompactFlash

Вставьте плату CompactFlash типа 1 в разъем, чтобы она полностью вошла в отсек модуля, как показано ниже. Плата CF может быть вставлена только одним способом. Если плата не встает на место без усилия, выньте и вставьте ее надлежащим образом.



Для извлечения платы CompactFlash нажмите, а затем отпустите кнопку извлечения. Когда кнопка выдвинется полностью, снова нажмите ее, чтобы освободить плату CF. Выньте плату из разъема модуля.

## Время исходного считывания платы CompactFlash

Каждый раз при вставке платы CF модуль TDS2MEM считывает ее внутреннюю структуру. Время считывания зависит от объема и форматирования платы CF. Чтобы существенно снизить время исходного считывания используемых в модуле TDS2MEM плат CF объемом 64 МБ и более, для их форматирования следует применять средство форматирования модуля TDS2MEM (выберите последовательно **UTILITY (Сервис)** ▶ **File Utilities (Управление файлами)** ▶ **Format (Формат)**).

## Форматирование платы CompactFlash

1. Вставьте плату CF в модуль.
2. Нажмите кнопку **UTILITY (Сервис)** на передней панели.
3. Выберите меню управления файлами.
4. Для отображения второй страницы нажмите кнопку «**Далее**».
5. Выберите команду **Format (Формат)**.
6. Чтобы начать форматирование платы CF, нажмите кнопку **Yes (Да)**. Форматирование приведет к удалению с платы всех данных.

## Емкость платы CompactFlash

Ниже приведено примерное количество файлов различных видов, которое может быть сохранено в 1 Мб памяти платы CF.

- 5 файлов после выполнения команды **Save All (Сохранить все)** (см. *Сохранение данных с помощью кнопки PRINT (Печать)* на с. 5)
- 16 файлов со снимками экрана (действительная емкость зависит от выбранного формата изображения) (см. *Сохранение снимка экрана в виде файла* на с. 8)

- 250 файлов параметров настройки осциллографа (.set) (см. *Сохранение параметров настройки осциллографа* на с. 9)
- 18 файлов осциллограмм (.csv) (см. *Сохранение файлов осциллограмм* на с. 10)

## Правила управления файлами

- Прежде чем записывать файлы, осциллограф проверяет наличие свободного места на плате CompactFlash. Если памяти для записи файлов недостаточно, отображается предупреждающее сообщение.
- Термин «*папка*», используемый в данном руководстве, соответствует каталогу на плате CF.
- Файл, сохраняемый или восстанавливаемый по умолчанию, помещается в текущую папку.
- Корневым каталогом является A:\.
- При включении прибора осциллограф восстанавливает текущую папку в каталоге A:\; то же самое происходит при вставке платы CF после включения осциллографа.
- Имя файла может содержать от одного до восьми знаков; за ним следуют точка и расширение, имеющее от одного до трех знаков.
- Длинные имена файлов, созданные операционными системами, отображаются в виде сокращенного имени файла операционной системы.
- Имена файлов состоят из прописных букв.

## Сохранение данных с помощью кнопки PRINT (Печать)

С помощью меню Save All (Сохранить все) (выберите последовательно SAVE/RECALL (СОХР./ВЫЗОВ)► Action (Действие) = Save All (Сохранить все)) можно настроить кнопку PRINT (Печать) для выполнения одной из следующих трех функций.

- Автоматическое сохранение данных осциллографа в виде нескольких файлов в текущей папке.
- Сохранение снимка экрана в файл.
- Печать снимка экрана через текущий порт принтера.

Параметры	Настройки или подменю	Описание
Кнопка Print (Печать)	Saves All To Files (Сохранение всех данных в виде файлов)	Настройка кнопки печати для сохранения всех данных осциллографа (осциллограмм, снимков экрана, параметров) в файлы, размещенные в новой подпапке текущей папки платы CF. См. раздел <i>Saves All to Files</i> (Сохранение всех данных в виде файлов) на с. 6.
	Saves Image To File (Сохранение снимка в виде файла)	Настройка кнопки печати для отправки снимков экрана в файл, сохраняемый на плате CF.
	Prints (Печать)	Настройка кнопки печати для отправки снимков экрана для печати на текущий порт принтера.

Параметры	Настройки или подменю	Описание
Select Folder (Выбор папки)		Перечень содержимого текущей папки платы CF и отображение следующих пунктов меню.
	Change Folder (Сменить папку)	См. раздел <i>Управление файлами и папками</i> на с. 15.
	New Folder (Новая папка)	
	Back (Назад)	Возврат в меню Save All (Сохранить все).
About Save All (Сведения о меню Save All)		Отображение справки этого меню.

### Основные понятия

#### **Saves All To Files (Сохранение всех данных в виде файлов).**

Настройка кнопки Print (Печать) для сохранения всех данных в файлы позволяет одним нажатием кнопки быстро и легко сохранять все текущие данные осциллографа в виде файлов. Нажатие кнопки PRINT (Печать) приводит к созданию новой папки и сохранению в ней текущих данных в виде отдельных файлов; для этого используются текущие параметры прибора и форматы файлов, перечисленные в следующей таблице.

Источник	Имя файла
CH(x)	FnnnnCHx.CSV, где nnnn — автоматически генерируемый номер, а x — номер канала.
MATH	FnnnnMTH.CSV
Ref(x) (Опорн.)	FnnnnRFx.CSV, где x — соответствующая буква памяти.
Снимок экрана	FnnnnTEK.???, где ??? — текущий формат, в котором сохраняются графические файлы.
Параметры	FnnnnTEK.SET

**Файлы .CSV.** Файлы .CSV (с разделением запятыми) содержат текстовую строку ASCII, в которой приведены значения времени (относительно события запуска) и напряжения для каждой из 2500 точек данных осциллограммы. Файлы .csv можно импортировать во многие электронные таблицы и программы математического анализа.

**Файлы снимков экрана.** Файлы снимков экрана можно импортировать во многие электронные таблицы и текстовые процессоры. Тип графических файлов, которые могут быть импортированы, зависит от приложения.

**Файлы .SET.** Файлы формата SET содержат текстовую строку ASCII, содержащую параметры настройки осциллографа.

## Сохранение снимка экрана в виде файла

Для сохранения снимка экрана в файл по умолчанию с именем ТЕКnnnn.???, где .??? означает указанный формат графического файла, используйте меню Save Image (Сохранение изображения) (выберите последовательно SAVE/RECALL (СОХР./ВЫЗОВ) ► Action (Действие) = Save Image (Сохранение изображения)). Файлы снимков экрана можно импортировать во многие электронные таблицы и текстовые процессоры.

Параметры	Настройки или подменю	Описание
Формат файла	BMP, PCX, TIFF, RLE, EPSIMAGE	Настройка формата графического файла для снимка экрана.
About Saving Images (О меню сохранения изображения)		Отображение справки этого меню.
Select Folder (Выбор папки)		Перечень содержимого текущей папки платы CF и отображение следующих пунктов меню.
	Change Folder (Сменить папку)	См. раздел <i>Управление файлами и папками</i> на с. 15.
	Макет	Выбор книжной или альбомной ориентации изображения.
	Ink Saver (Эк. чернил) On (Вкл.), Off (Выкл.)	Включение или отключение режима экономии чернил (только для моделей с цветным изображением).
	New Folder (Новая папка)	См. раздел <i>Управление файлами и папками</i> на с. 15.
Save (Сохранить)	filename (имя файла)	Сохранение снимка экрана в виде файла с автоматически генерируемым именем в текущей папке на плате CF.

## Сохранение параметров настройки осциллографа

Используйте меню Save Setup (Сохранение настроек) (выберите последовательно SAVE/RECALL (СОХР./ВЫЗОВ) ► Action (Действие) = Save Setup (Сохранение настроек)) для сохранения в указанной папке или в оперативной памяти текущих параметров настройки осциллографа в виде файла с именем ТЕКnnnn.SET. Файл настроек содержит текстовую строку ASCII, в которой перечисляются параметры настройки осциллографа.

Параметры	Настройки или подменю	Описание
Save To (Сохранить в виде)	Setup (Настройка)	Задаёт сохранение текущих параметров настройки осциллографа в оперативной памяти
	File (Файл)	Задаёт сохранение текущих параметров настройки осциллографа в виде файла на плате CF.
Setup (Настройка)	От 1 до 10	Задаёт расположение в оперативной памяти.
Select Folder (Выбор папки)		Перечень содержимого текущей папки платы CF и отображение следующих пунктов меню.
	Change Folder (Сменить папку)	См. раздел <i>Управление файлами и папками</i> на с. 15.
	New Folder (Новая папка)	Возврат к меню Save All (Сохранить все).
Save (Сохранить)		Сохранение параметров настройки в указанном месте оперативной памяти.
	filename (имя файла)	Сохранение параметров настройки в виде файла с автоматически генерируемым именем в текущей папке на плате CF.

## Сохранение файлов осциллограмм

С помощью меню Save Wfm (Сохранение осциллограмм) (выберите последовательно SAVE/RECALL (СОХР./ВЫЗОВ) ▶ Action (Действие) = Save Wfm (Сохранение осциллограмм)) для сохранения указанной осциллограммы в виде файла с именем ТЕКnnnn.CSV или в опорной памяти. Модуль сохраняет данные осциллограмм в файлы с разделением запятыми (формат .csv), которые представляют собой текстовую строку ASCII, в которой приведено временное значение (относительно события запуска) и значения напряжения для каждой из 2500 точек данных осциллограммы. Файлы .csv можно импортировать во многие электронные таблицы и программы математического анализа.

Параметры	Настройки или подменю	Описание
Save To (Сохранить в виде)	File (Файл)	Задаёт сохранение исходных данных осциллограммы в виде файла на плате CF.
	Ref (Опорн.)	Задаёт сохранение исходных данных осциллограммы в опорной памяти.
Источник	CH(x) (Канал), Ref(x) (Опорн.), MATH	Указывает, какой исходный сигнал должен быть сохранен.
Save To (Сохранить в виде)	Ref(x) (Опорн.)	Задаёт номер ячейки опорной памяти для сохранения исходного сигнала.
Select Folder (Выбор папки)		Перечень содержимого текущей папки платы CF и отображение следующих пунктов меню.
	Change Folder (Сменить папку)	См. раздел <i>Управление файлами и папками</i> на с. 15.
	New Folder (Новая папка)	
Save (Сохранить)		Сохранение осциллограммы в указанной опорной памяти.
	filename (имя файла)	Сохранение данных осциллограммы экрана в виде файла с автоматически генерируемым именем в текущей папке на плате CF.

## Восстановление параметров настройки осциллографа

Используйте меню Recall Setup (Восстановление настроек) (выберите последовательно SAVE/RECALL (СОХР./ВЫЗОВ) ► Action (Действие) = Recall Setup (Восстановление настроек)) для загрузки параметров настройки из файла или из ячейки памяти.

Параметры	Настройки или подменю	Описание
Recall From (Вызов из)	Setup (Настройка)	Задаёт восстановление параметров настройки осциллографа из оперативной памяти.
	File (Файл)	Задаёт восстановление параметров настройки осциллографа из файла на плате CF.
Setup (Настройка)	От 1 до 10	Задаёт ячейку оперативной памяти, из которой будут восстанавливаться параметры настройки осциллографа.
Select Folder (Выбор папки)		Перечень содержимого текущей папки платы CF для выбора нужного файла и отображение следующего пункта меню.
	Change Folder (Сменить папку)	См. раздел <i>Управление файлами и папками</i> на с. 15.
Recall (Вызвать)		Восстановление параметров настройки из оперативной памяти.
	filename (имя файла)	Восстановление параметров настройки из указанного файла на плате CF.

## Восстановление файлов осциллограмм

Используйте меню Recall Wfm (Вызов осцил.) (выберите последовательно SAVE/RECALL (СОХР./ВЫЗОВ) ► Action (Действие) = Recall Wfm (Вызвать осцил.)) для загрузки данных осциллограммы из файла на плате CF в указанную ячейку опорной памяти.

Параметры	Настройки или подменю	Описание
To (Расположение)	Ref(x) (Опорн.)	Задаёт ячейку опорной памяти для загрузки данных осциллограммы.
Select Folder (Выбор папки)		Перечень содержимого текущей папки платы CF для выбора нужного файла и отображение следующих пунктов меню.
	Change Folder (Сменить папку)	См. раздел <i>Управление файлами и папками</i> на с. 15.
	To (Расположение) Ref(x) (Опорн.)	Задаёт ячейку опорной памяти для загрузки данных осциллограммы.
Recall (Вызвать)	имя файла	Загрузка данных осциллограммы из указанного файла в опорную память.

## Отображение эталонных осциллограмм

Используйте меню Display Refs (Отображение этал.) (выберите последовательно SAVE/RECALL (СОХР./ВЫЗОВ) ► Action (Действие) = Display Refs (Отображение этал.)) для включения или отключения отображения указанной эталонной осциллограммы.

Параметры	Настройки или подменю	Описание
Ref(x) (Опорн.)	On, Off (Вкл, Выкл)	Включение или отключение указанной эталонной осциллограммы, хранящейся в оперативной памяти.

## Настройка параметров принтера

Используйте меню Printer Setup (Настройка принтера) (выберите последовательно UTILITY (Сервис) ► Options (Параметры) ► Printer Setup (Настройка принтера)) для настройки формата печатаемого файла и параметров порта.

Параметры	Настройки или подменю	Описание
Кнопка Print (Печать)		Сведения о параметрах кнопки Print (Печать) см. на с. 5.
Print Port (Порт печати)	Centronics, RS-232	Коммуникационный порт, используемый для подключения осциллографа к принтеру.
Типы принтера	Thinkjet, Deskjet, Laser Jet, Bubble Jet, Epson Dot, DPU411, DPU412, DPU3445, Epson C60, Epson C80, BMP, PCX, TIFF, RLE, EPSIMAGE	Тип принтера подключенного к коммуникационному порту. Этот параметр меню доступен, когда кнопка Print (Печать) настроена для печати.
Формат файла	BMP, PCX, TIFF, RLE, EPSIMAGE	Тип формата графического файла. Этот параметр меню доступен, когда кнопка Print (Печать) настроена для сохранения изображения в виде файла.
Макет	Portrait, Landscape (Книжная, Альбомная)	Ориентация изображения при печати.
Ink Saver (Эк. черн.)*	On, Off (Вкл, Выкл)	Включение или отключение печати снимка экрана черным цветом на белом фоне. Доступно только для осциллографов серии TDS2000.
Abort Printing (Отмена печати)		Прекращение отправки экранных данных на принтер.

## Установка даты и времени

Используйте меню Set Date and Time (Установка даты и времени) (выберите последовательно UTILITY (Сервис) ► Options (Параметры) ► Set Date and Time (Установка даты и времени)) для настройки даты и времени модуля. Эти сведения используются модулем для создания метки времени для файлов, записанных на плату. Модуль содержит встроенную батарею, не подлежащую замене, для поддержки временных параметров.

Параметры	Настройки	Описание
↑ ↓		Перемещение подсветки выбора поля вверх и вниз по списку. Используйте ручку TRIGGER LEVEL (Уровень запуска) для изменения значения в выделенном поле.
Set Time and Date (Установка даты и времени)		Обновление заданных на модуле параметров даты и времени.
Cancel (Отмена)		Закрытие меню и возврат к предыдущему меню без сохранения изменений.

### Основные понятия

**Изменение сезонного времени.** Часы и календарь модуля не могут автоматически перестраиваться на летнее или зимнее время. Модуль содержит только возможность настройки для високосных годов.

## Управление файлами и папками

Используйте функцию управления файлами (выберите последовательно UTILITY (Сервис) ► File Utilities (Управление файлами)) для выполнения следующих действий:

- отображение содержимого текущей папки;
- выбор файла или папки;
- перемещение в другие папки;
- создание, переименование и удаление файлов и папок;
- форматирование платы CompactFlash.

Параметры	Описание
Change Folder (Сменить папку)	<p>Перемещение в выбранную папку на плате CF. Используйте ручку положения по горизонтали для выбора файла или папки, затем выберите пункт меню Change Folder (Сменить папку) для перемещения в выбранную папку.</p> <p>Для возврата в предыдущую папку выберите пункт UP folder (Папка выше) и выделите пункт меню Change Folder (Сменить папку).</p>
New Folder (Новая папка)	Создание новой папки на месте текущей папки платы CF с именем NEW_FOL и отображение меню переименования файла для изменения имени по умолчанию.
Delete (Удалить) (filename/folder) (имя файла/папки)	Удаление выделенного имени файла или папки. Папку можно удалить только в том случае, если она пуста.
Confirm Delete (Подтверд. удаление)	Отображается после нажатия кнопки Delete (Удалить) для подтверждения удаления. Нажатие кнопки или ручки, отличной от Confirm Delete (Подтверд. удаление), отменяет удаление.
Rename (Переименование)	Отображение экрана Rename (Переименование) для переименования папки или файла; см. раздел <i>Переименование файлов и папок</i> на с. 16.

Параметры	Настройки	Описание
Формат	Yes (Да), No (Нет)	Форматирование платы CompactFlash. Приводит к удалению с платы CF всех данных.

## Переименование файлов и папок

Используйте экран Rename (Переименование) (выберите последовательно UTILITY (Сервис) ▶ File Utilities (Управление файлами) ▶ Rename (Переименование)) для изменения имен файлов и папок на плате CompactFlash.

Параметры	Настройки или подменю	Описание
Символ Enter	A - Z 0 - 9 _ .	Ввод выделенных алфавитно-цифровых символов в текущей позиции курсора в поле Name (Имя).  Для выделения алфавитно-цифрового символа используйте ручку горизонтального положения или функции Backspace (Удаление слева), Delete Character (Удаление символа) и Clear Name (Удаление имени).
	Backspace (Удаление слева)	Изменение параметра кнопки меню 1 на функцию удаления слева. Удаление символа, расположенного слева от символа, выделенного в поле Name (Имя).
	Delete Character (Удаление символа)	Замена параметра кнопки меню 1 функцией удаления символа. Удаление выделенного символа в поле Name (Имя).
	Clear Name (Удаление имени)	Изменение функции кнопки 1 на функцию удаления имени. Удаление всех символов из поля Name (Имя).

Параметры	Настройки или подменю	Описание
← →		Перемещение курсора в поле Name (Имя) на одну позицию вправо или влево.
OK		Изменение имени папки или файла, отображающегося в поле Name (Имя).
Cancel (Отмена)		Отмена операции переименования (имя папки или файла остается без изменений) и возврат к предыдущему меню.

## Использование программных команд через порт RS-232

Дополнительные сведения об управлении модулем TDS2MEM и функциях осциллографа, выполняемых с помощью порта RS-232, см. в разделе *Коммуникационный модуль TDS2CMA руководства пользователя цифровых запоминающих осциллографов серий TDS1000 и TDS2000*. Сведения о синтаксисе команд см. в руководстве для программистов *TDS1000- and TDS2000-Series Digital Storage Oscilloscope Programmer Manual* (серийный номер Tektronix 071-1075-01 или последующие).

## Использование считывающего устройства платы CompactFlash

Инструкции по установке, настройке и использованию считывающего устройства платы CF через порт USB компьютера содержатся в документации, поставляемой вместе с устройством. Для использования считывающего устройства платы CF может понадобиться установка драйверов USB.

Текtronix дает гарантию на входящую в комплект поставки плату CF и считывающее устройство, действительную в течение 3 (трех) месяцев. Сведения о гарантийных обязательствах см. в начале данного документа. По истечении трехмесячной гарантии на эти изделия, предоставляемой компанией Tektronix, обращайтесь за сведениями о гарантийном обслуживании и технической поддержке к их производителям.